



RRDJWS6V

Designed for lighter use and to give you more bang for your buck, the RRDJWS6V is built smart just like our Regular DJ Workstations but features heavy-duty Velcro-attached nylon panels instead of our traditional hard ATA style covers. Forged out of rugged materials and ready to work, our 3 level design includes a 3U vertical rack on top for your CD controller, a slanted 7U mid-level rack to accommodate your choice of 19" mixers and a bottom 6U rack for your CD player, effects, amps and more. And to seal the deal we threw in our unique rear hinged door for easy connections. Economy you can live with. What more could you want?

Rugged Road Ready

Features

- * Beefy, Stackable Ball Corners
- * Double Anchor Industrial Rivets
- * Recessed, Industrial Grade Latches
- * Recessed Industrial Grade Handles
- * Industrial Grade Rubber Feet
- * Premium 3/8" Vinyl Laminated Plywood
- * Tongue and Groove Locking Fit
- * Rear Hinged Access Door
- * Heavy Duty Velcro-attached Nylon Cover
- * Heavy Duty Rack Rails
- * Mounting Hardware Included

Shipping Dimensions (inch): 22" x 20.3" x 29.5"

Shipping Weight (lbs): 41.1lbs

Product Dimensions (inch): 21.5" x 19.9" x 28.5"

Product Weight (lbs): 34.8 lbs

Shipping Dimensions (cm): 56 x 51.5 x 75

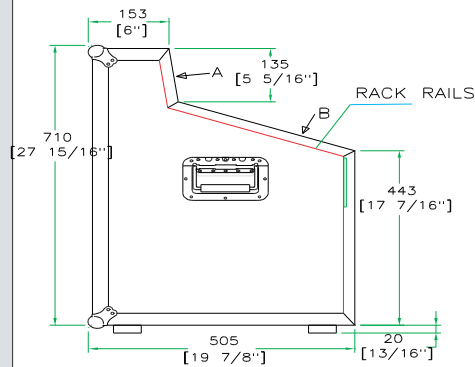
Shipping Weight (kg): 18.7 kg

Product Dimensions (cm): 54.5 x 50.5 x 73

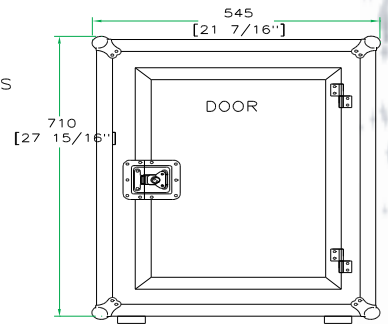
Product Weight (kg): 15.8 kg

5/05

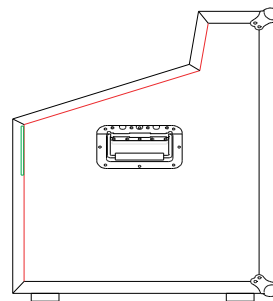
Value DJ Work Station Case w/ Soft Cover for Dual CD Player, Controller, 19" Mixer, Top 3U, Mid 7u, Bottom 6u



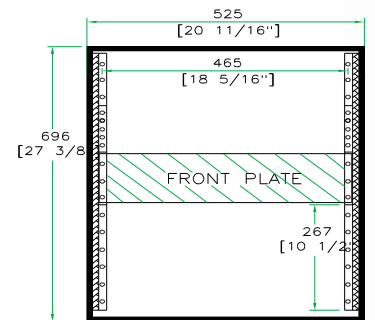
LEFT VIEW



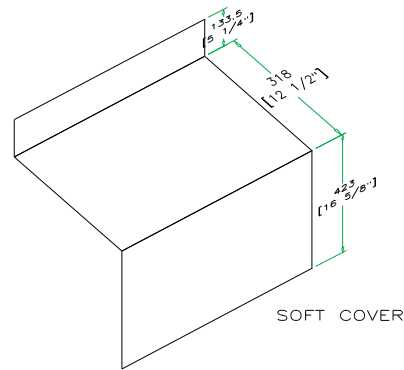
BACK VIEW



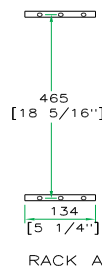
RIGHT VIEW



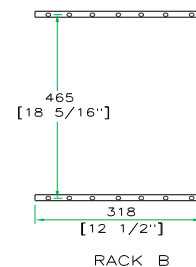
FRONT VIEW



SOFT COVER



RACK A



RACK B

www.roadreadycases.com

Road Ready Cases 18120 S. Broadway St. Unit B Gardena, Ca. 90248- 3536
 ph: 310 767 1772 fax: 310 767 1798