



RRDJWS6

Forged out of the toughest materials around and ready to hit the road, the RRDJWS6 DJ workstation is built smart with our 3 level design that includes a 3-space vertical rack on the top for your CD controller, a slanted 7-space mid-level rack to accommodate your choice of 19" mixers and a bottom 6U rack for your CD player, effects, amps and more. And for added comfort we even included a unique rear hinged door for easy connections to your gear

Rugged Road Ready Features

- * Beefy, Stackable Ball Corners
- * Double Anchor Industrial Rivets
- * Recessed, Industrial Grade Latches
- * Industrial Grade Rubber Feet
- * Premium 3/8" Vinyl Laminated Plywood
- * Tongue and Groove Locking Fit
- * Rear Hinged Access Door
- * Heavy Duty Rack Rails
- * Mounting Hardware Included
- * ATA 300 Rating
- * Road Ready Limited Lifetime Warranty

Shipping Dimensions (inch): 24.4" x 22" x 30.1"

Shipping Weight (lbs): 48.8 lbs

Product Dimensions (inch): 23.6" x 21.5" x 29.3"

Product Weight (lbs): 41.4 lbs

Shipping Dimensions (cm): 62 x 56 x 76.5

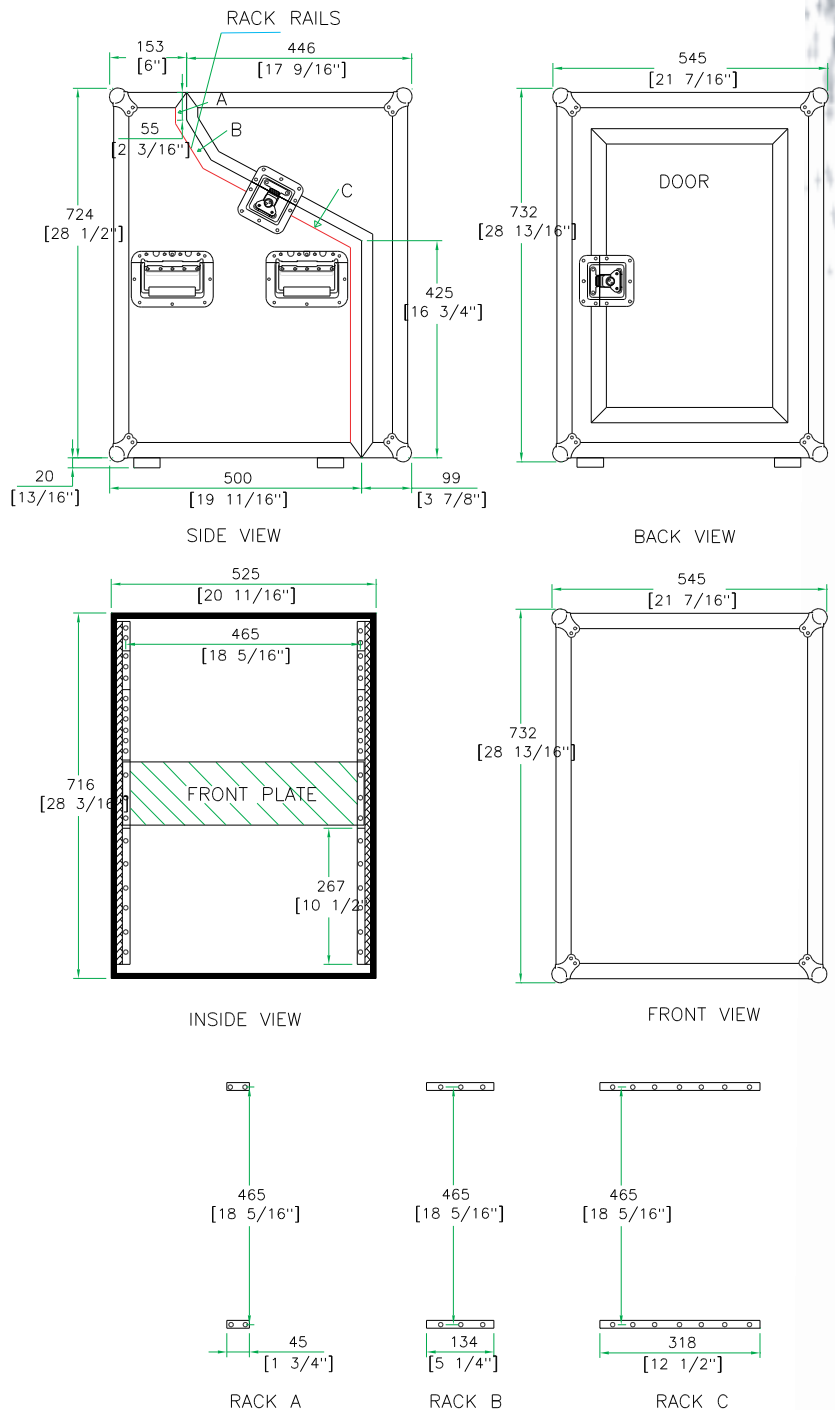
Shipping Weight (kg): 22.2 kg

Product Dimensions (cm): 59.9x 54.4 x 74.4

Product Weight (kg): 18.8 kg

5/05

DJ Work Station Case for Dual CD Player, Controller, 19" Mixer, Top 3u, Mid 7u, Bottom 6u Racks



www.roadreadycases.com

Road Ready Cases 18120 S. Broadway St. Unit B Gardena, Ca. 90248- 3536
 ph: 310 767 1772 fax: 310 767 1798