



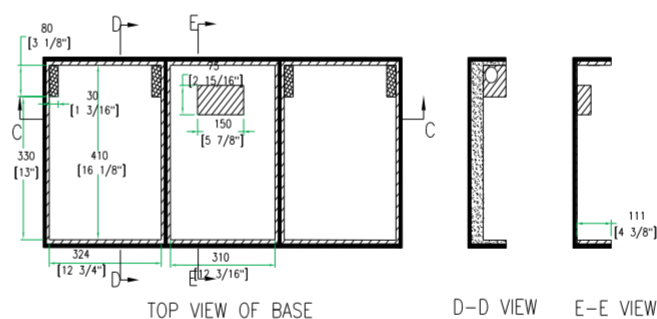
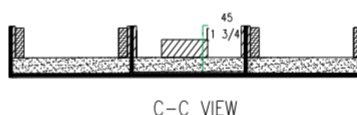
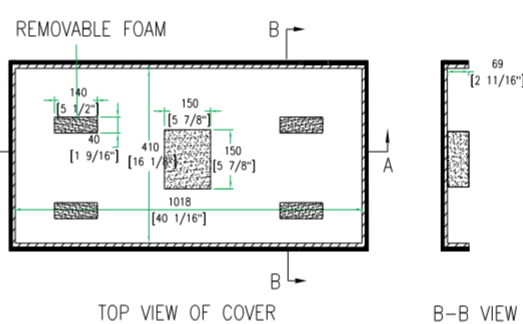
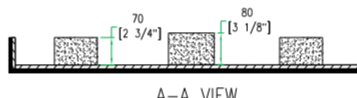
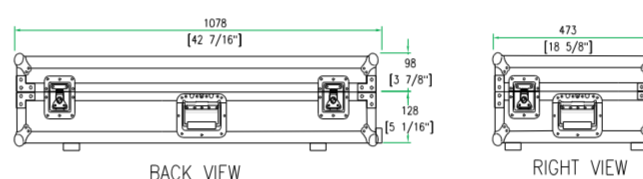
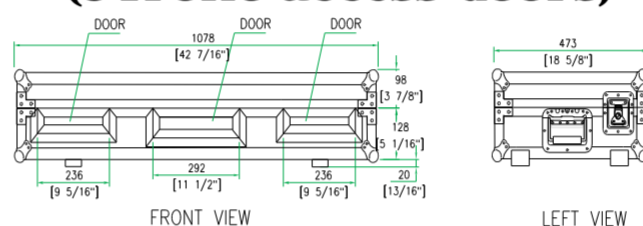
RRDJDZMZW

Definitive protection for your gear, the RRRDJDZMZW is a real heavy hitter. Built to take on the streets and designed to hold two Technics SL-DZ1200 CD Players along with a SH-MZ1200 mixer. The RRRDJDZMZW is built smart with Rugged Road Ready features like 3 smart front access panels for easy CD and mixer access, and a rear access cable port for hassle free connections. We even threw in our low profile wheels for sleek stealth mobility. Go ahead give it a pounding.

Rugged Road Ready Features

- * Beefy, Stackable Ball Corners
 - * Double Anchor Industrial Rivets
 - * Recessed, Industrial Grade Latches
 - * Recessed Industrial Grade Handle
 - * Industrial Grade Rubber Feet
 - * Premium 3/8" Vinyl Laminated Plywood
 - * Tongue and Groove Locking Fit
 - * Front Access Panels
 - * Rear Access Cable Port
 - * Low Profile Wheels
 - * ATA 300 Rating
 - * Road Ready Limited Lifetime Warranty
- Shipping Dimensions (inch): 43.3" x 19.2" x 10.6"
 Shipping Weight (lbs): 45.1 lbs
 Product Dimensions (inch): 42.4" x 18.6" x 9.6"
 Product Weight (lbs): 39.8 lbs
 Shipping Dimensions (cm): 110 x 49 x 27
 Shipping Weight (kg): 20.5 kg
 Product Dimensions (cm): 107.8 x 47.3 x 24.6
 Product Weight (kg): 18.1 kg

COFFIN FOR 2 TECHNICS SL- DZ1200 CD PLAYERS & SH- MZ1200 MIXER (3 front access doors)



Need Accessories for your Road Ready Coffin?
 Check out our RRDJSTAND with folding storage shelf!

www.roadreadycases.com

Road Ready Cases 18120 S. Broadway St. Unit B Gardena, Ca. 90248- 3536
 ph: 310 767 1772 fax: 310 767 1798