



RRDJMW

The best vibe going, the RRDJMW is the final word in protection for your gear. Built to take abuse, the RRDJMW is designed to hold two turntables and a Pioneer DJM 500 or DJM600 Mixer. Built with brains the RRDJMW accommodates various turntables and features smart design elements like a rear access cable port for no hassle connections and low profile wheels for sleek, stealth mobility. Go ahead get your groove on!

Rugged Road Ready Features

- * Beefy, Stackable Ball Corners
- * Double Anchor Industrial Rivets
- * Recessed, Industrial Grade Latches
- * Recessed Industrial Grade Handle
- * Industrial Grade Rubber Feet
- * Premium 3/8" Vinyl Laminated Plywood
- * Tongue and Groove Locking Fit
- * Rear Access Cable Port
- * Low Profile Wheels
- * ATA 300 Rating
- * Road Ready Limited Lifetime Warranty

Shipping Dimensions (inch): 62 x 17.9 x 10.8

Shipping Weight (lbs): 64.7

Product Dimensions (inch): 60.9 x 17.2 x 10.2

Product Weight (lbs): 55.4

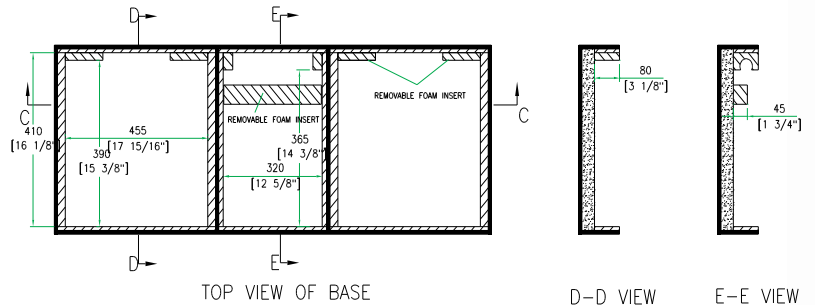
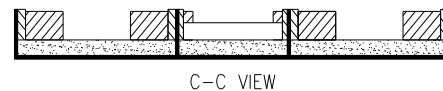
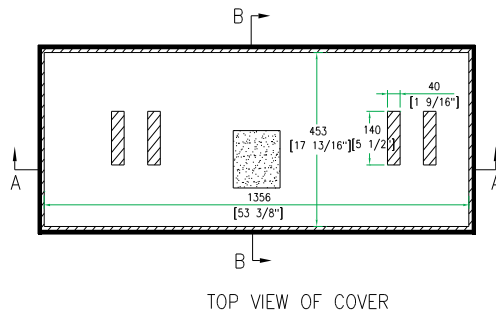
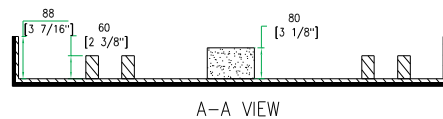
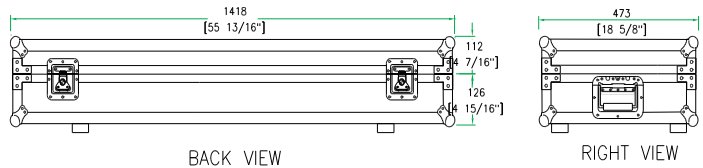
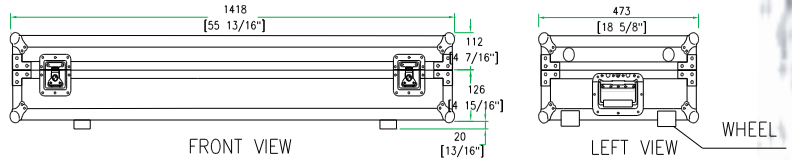
Shipping Dimensions (cm): 157.5 x 45.5 x 27.5

Shipping Weight (kg): 29.4

Product Dimensions (cm): 154.7 x 43.7 x 26

Product Weight (kg): 25.2

DJ Coffin w/ Wheels for 2 Turntables & Pioneer DJM 500 or DJM600 Mixer



Need Accessories for your Road Ready Coffin?
Check out our RRDJSTAND with folding storage shelf!

www.roadreadycases.com

Road Ready Cases 18120 S. Broadway St. Unit B Gardena, Ca. 90248- 3536
ph: 310 767 1772 fax: 310 767 1798