



# RR4UEV

Designed for lighter use and a lighter load on your wallet, the RR4UEV accommodates professional effects units up to 4U. Built smart with dual rack rails mounted front and back, the RR4UEV features heavy-duty, Velcro-attached nylon front and rear panel covers ( instead of hard, ATA style covers) for easy access to both sides of your rack. The RR4UEV fits all standard 19" rack-mountable equipment and mounting hardware is included. More bang for your buck!

## Rugged Road Ready Features

- \* Heavy-Duty Velcro-attached Covers
- \* Double Anchor Industrial Rivets
- \* Recessed, Industrial Grade Latches
- \* Recessed, Spring Loaded Handles
- \* Industrial Grade Rubber Feet
- \* Premium 3/8" Vinyl Laminated Plywood
- \* Heavy Duty Rails
- \* Mounting Hardware Included
- \* Road Ready Limited Lifetime Warranty

Shipping Dimensions ( inch): 21.3 x 15 x 10.6

Shipping Weight ( lbs): 20

Product Dimensions (inch): 20.8 x 13.9 x 9.9

Product Weight (lbs): 15.6

Shipping Dimensions ( cm): 54 x 38 x 27

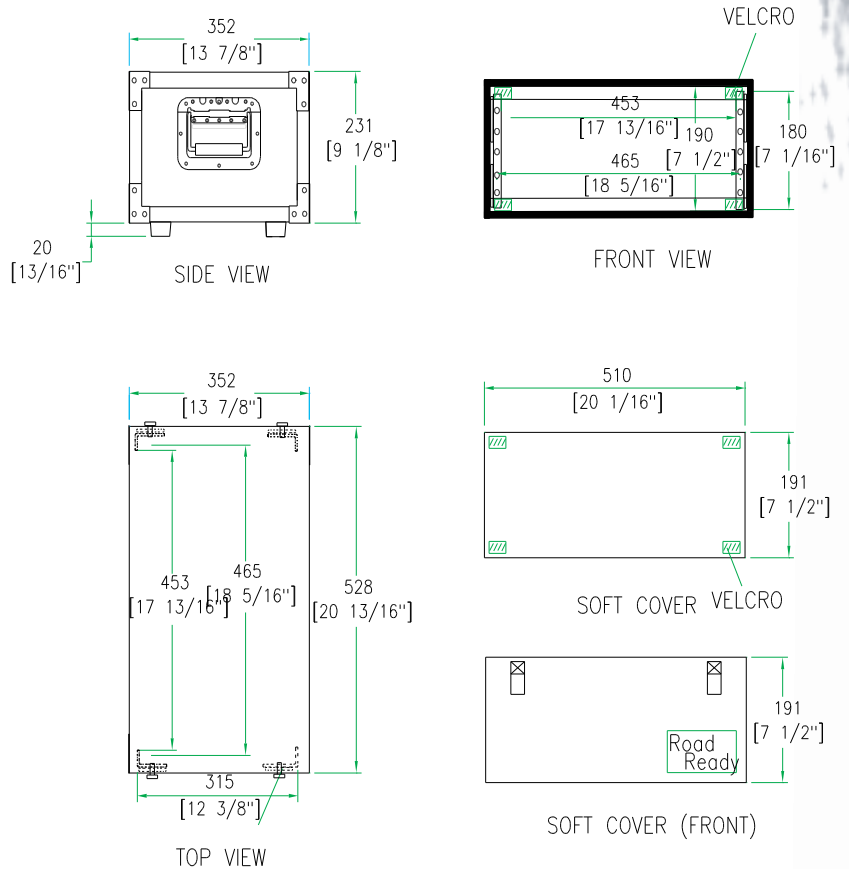
Shipping Weight ( kg): 9.1

Product Dimensions (cm): 52.8 x 35.2 x 25.1

Product Weight (kg): 7.1

5/05

## 4U Value Effect Rack w/ Soft Cover



[www.roadreadycases.com](http://www.roadreadycases.com)

Road Ready Cases 18120 S. Broadway St. Unit B Gardena, Ca. 90248- 3536  
 ph: 310 767 1772 fax: 310 767 1798