



RR4MM250C

Lights, Sound, Action! Designed to protect and transport 4 Robe moving mirror lights, the RR4MM250C makes sure that the show will go on. Our unique standing position design securely holds your moving mirror lights in place and provides the ultimate protection during transport. And to make transporting a breeze we included a rugged caster for easy mobility. Let there be light!.

Rugged Road Ready

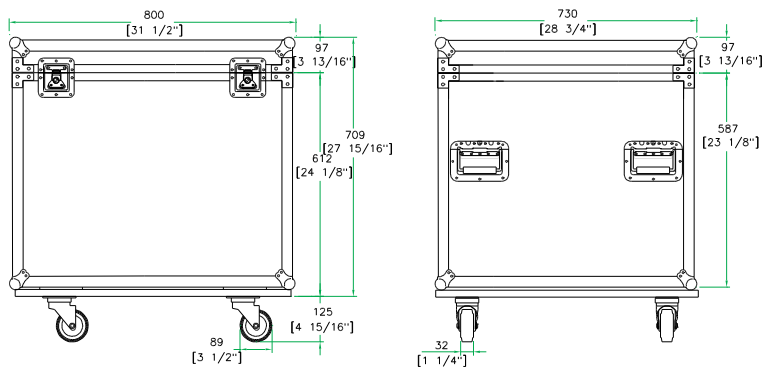
Features

- * Beefy, Stackable Ball Corners
- * Double Anchor Industrial Rivets
- * Recessed, Industrial Grade Latches
- * Recessed, Spring Loaded Handles
- * Industrial Grade Rubber Feet
- * Premium 3/8" Vinyl Laminated Plywood
- * Tongue and Groove Locking Fit
- * Rugged Caster Kit
- * ATA 300 Rating
- * Road Ready Limited Lifetime Warranty

Fits the following Models:

CLUBSCAN 250CT
CLUBROLLER 250CT
DJ ROLLER 250XT
DJ SCAN 250XT
DJ SCAN 250XT

CASE FOR 4 ROBE MOVING MIRROR LIGHTS IN STANDING POSITION WITH CASTER

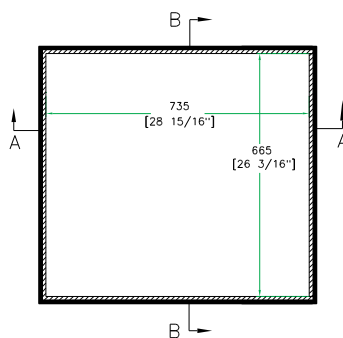


FRONT VIEW
BACK VIEW

LEFT VIEW
RIGHT VIEW



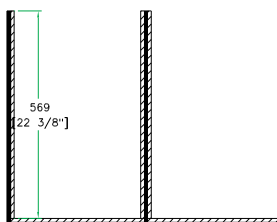
A-A VIEW



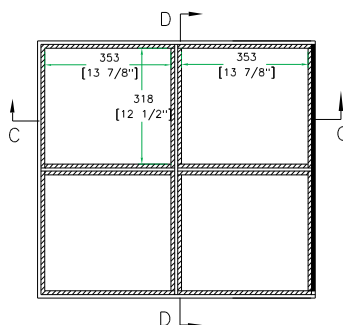
TOP VIEW OF COVER



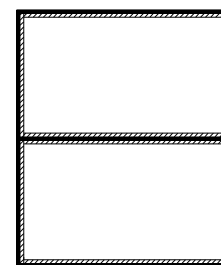
B-B VIEW



C-C VIEW



TOP VIEW OF BASE



D-D VIEW