



# RR12UED

Built smart with flexibility and comfort in mind, the RR12UED accommodates professional effects units up to 12U. This rugged case is designed to fit all standard 19" rack-mountable equipment, features dual rack rails (mounted front and back at a 12 3/8" rack depth) and includes two removable covers for easy access to both sides of your rack. Built for the long haul!

## Rugged Road Ready Features

- \* Beefy, Stackable Ball Corners
- \* Double Anchor Industrial Rivets
- \* Recessed, Industrial Grade Latches
- \* Recessed, Spring Loaded Handles
- \* Industrial Grade Rubber Feet
- \* Premium 3/8" Vinyl Laminated Plywood
- \* Tongue and Groove Locking Fit
- \* Heavy Duty Rack Rails
- \* Mounting Hardware Included
- \* ATA 300 Rating
- \* Road Ready Limited Lifetime Warranty

Shipping Dimensions ( inch): 21.9 x 21.5 x 24

Shipping Weight ( lbs): 47.7

Product Dimensions (inch): 21.5 x 21.2 x 23.5

Product Weight (lbs): 41.1

Shipping Dimensions ( cm): 55.5 x 54.5 x 61

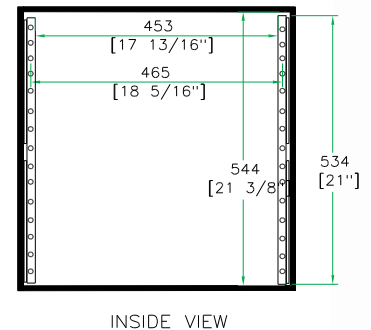
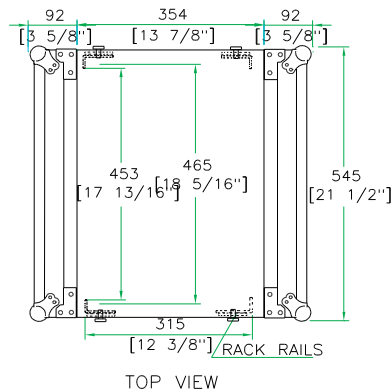
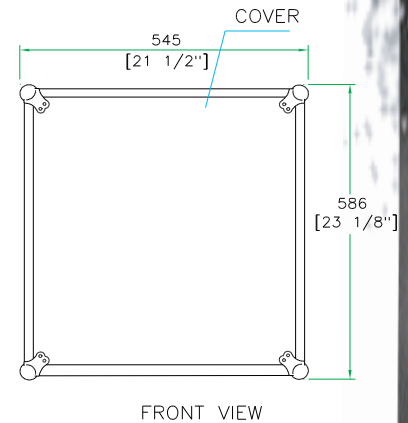
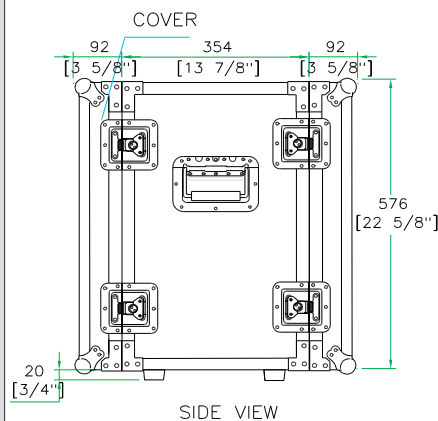
Shipping Weight ( kg): 21.7

Product Dimensions (cm): 54.5 x 53.8 x 59.6

Product Weight (kg): 18.7

5/05

## 12U Deluxe Effect Rack Case



[www.roadreadycases.com](http://www.roadreadycases.com)

Road Ready Cases 18120 S. Broadway St. Unit B Gardena, Ca. 90248- 3536  
 ph: 310 767 1772 fax: 310 767 1798