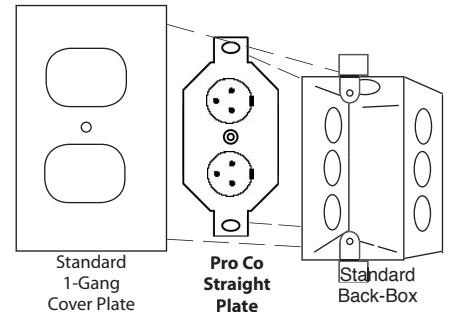
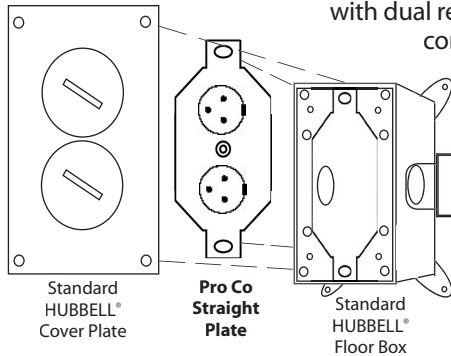


# Plateworks™ Standard Wallplates

## Straight Plates

Pro Co Straight Plates allow sound contractors to use standard structural back boxes, with dual receptacle wall plates and floor pockets, as connection points for convenient audio and video hookups. The oblong installation slots allow for straightening of the assembly when back boxes are installed crooked.



The Straight Plates accept an assortment of connectors from our standard product below to a variety of custom plates. Laser engraving is available with minimal space (Be advised that the engraving may be concealed by a cover).

Contact Pro Co's Commercial Division for custom Straight Plate configurations. All Standard Straight Plates use Neutrik connectors. See [NeutrikUSA.com](http://NeutrikUSA.com) for specs on connectors.

Model Number	Description	
STP-S	(2) dimples for punch set-up, threaded hardware	
STP-B	also available for center punch	
STP 1-S	(1) Neutrik™ "D-style" Punched hole	
STP 1-B		
STP 2-S	(2) Neutrik™ "D-style" Punched hole	
STP 2-B		
STP 3-S	(1) Neutrik™ "D-style" Punched hole, offset	
STP 3-B		
STP/3FX-1-S	Loaded: (1) centered NC3FDL-1-0, female XLR-type	
STP/3FX-1-B		
STP/3FX-2-S	Loaded: (2) NC3FDL-1-0, female XLR-type	
STP/3FX-2-B		
STP/SPK-1-S	Loaded: (1) NL4MP 4 pole Speakon speaker connector	
STP/SPK-1-B		
STP/SPK-2-S	Loaded: (2) NL4MP 4 pole Speakon speaker connectors	
STP/SPK-2-B		
STP/NJ3-1-S	Loaded: (1) centered NJ3FP6C, 3-Cond., 1/4" phone jack	
STP/NJ3-1-B		
STP/NJ3-2-S	Loaded: (2) NJ3FP6C, 3-Cond., 1/4" phone jacks	
STP/NJ3-2-B		
STP/NJ3-SPK-S	Loaded: (1) NJ3FP6C jack & (1) NL4MP 4-pole Speakon	
STP/NJ3-SPK-B		
STP/3FX-SPK-S	Loaded: (1) NL4MP 4-pole Speakon & (1) NC3FDL-1-0	
STP/3FX-SPK-B		
STP/NJ3-3FX-S	Loaded: (1) NJ3FP6C 3 cond. 1/4" jack & (1) NC3FDL-1-0	
STP/NJ3-3FX-B		

S = Stainless Steel Plate. B = Galvanized Steel, Black Powder Coat.

# Plateworks™ Standard Wallplates

