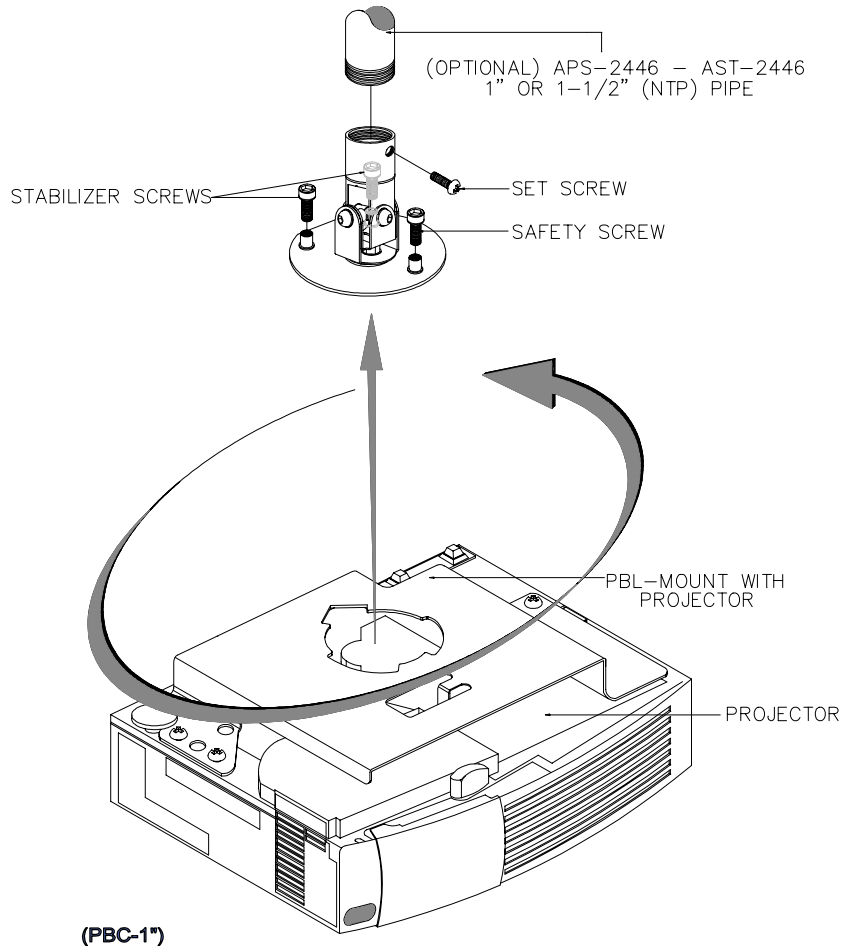
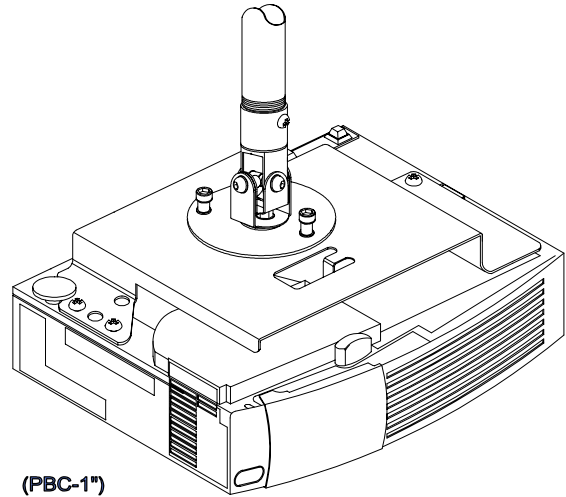


PBC-SERIES

Install the (Optional) 1" APS-2446 or the 1 1/2" AST-2446 suspension adapters to the ceiling structure at this time using (commercially available) suitable hardware. Straight pipe may be used as well 1" or 1 1/2" secured to the ceiling structure. Make sure the receiving portion of the coupling is suitable to complete the installation.

Connect the upper portion of the PBC-Series coupling to the 1" or 1 1/2" threaded pipe. Secure the coupling with the setscrew (supplied). Invert the projector and place it on a soft and flat surface. Locate the mounting points on the bottom portion of the chassis. Remove or raise any feet on the projector if necessary to fit the mounting bracket. Align the mounting bracket to the mounting points found on the projector and secure by using the hardware (supplied). Insert the rotation plate tabs to the receiving PBL-Series mounting bracket. Once fully inserted, rotate the projector 180° align and screw down the red safety screw. The screw must go past the arrow shaped slot below to prevent further rotation. Screw the remaining stabilizer screws.

Do not over tighten screws!



Warning!

The wall/ceiling should be capable of supporting a weight of at least five (5) times the projector(s) or monitor(s) weight. If it cannot, the ceiling must be reinforced. Proper installation procedure by qualified personnel as outlined in the installation instructions must be adhered to. Failure to do so could result in serious personal injury.