

# PBM-867L

## LCD Projector Mount INSTALLATION INSTRUCTIONS

### Step 1

Invert the projector and place it on a soft and flat surface. Raise the two front feet. Locate the three (3) mounting points found on the bottom of the projector and loosely secure the three (3) 4mm quick release sleeves with the three (3) 4mmx20mm phillip screws (supplied). Align the key holes from the mounting bracket and slide it through the quick release sleeves, the hinge pin openings should face the lens of the projector. Push the bracket backwards to align the rear 4mm point and secure the bracket with the 4mmx8mm knurl knob (supplied) tighten the quick release sleeves.

See Figure 1

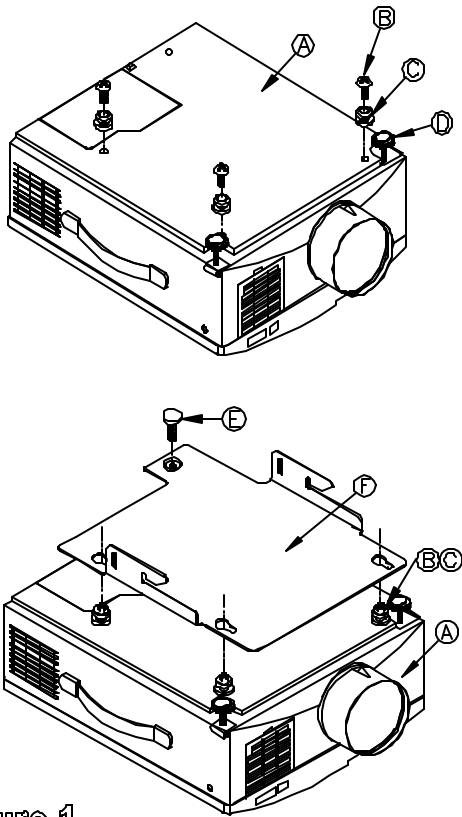
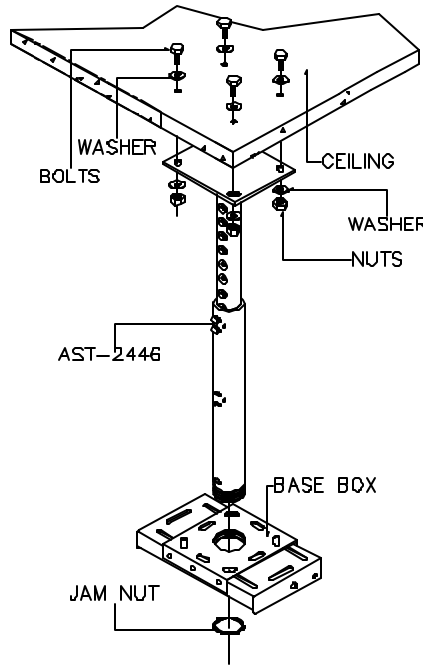


Figure 1

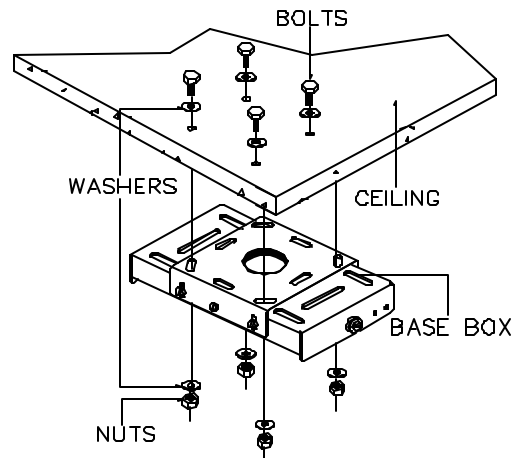
### Step 2

Install the base box securely to the ceiling structure in accordance with proper commercial standards. Use (commercially available) suitable hardware depending on the installation requirements

**NOTE:** If the (Optional) **AST-2446** adjustable height suspension adapter is a part of the installation, securely install the ceiling adapter to the ceiling at this time. (Refer to its installation instructions).



**AST-2446**



**FIXED CEILING MOUNT**

### Step 3

Install the two (2) hinge pin bolts loosely on both sides of the base box. Raise the projector with the mounting bracket attached and slip through the hinge pin slots openings on the bracket into the base box. Install the two (2) angle locking bolts. Adjust the angle, lock it, and then tighten the hinge pin bolts. See Figure 2

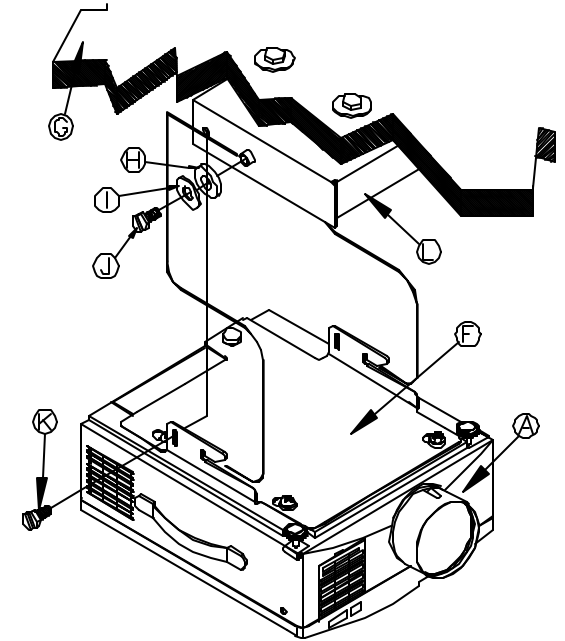


Figure 2

### Step 4

Check all the hardware for proper tightness and security. Do not over tighten hardware.

**Note:** Projector can be removed quickly for portable use by:  
(1) Remove the knurl knob screw. (2) Hold the projector with two hands and slide it backwards to detach the sleeves from the keyholes. (Reverse the process for quick reinstall)

**Continue** →

# INSTALLATION INSTRUCTIONS

## Step 5

Raise the projector with the mounting bracket and slip through the hinge pin slot openings on the bracket into the base box. Loosely install the two hinge pin bolts, spacers and washers and the angle locking bolts. Adjust the angle and lock it. Then tighten the hinge pin bolts. See Figure 3

## WARNING!

The ceiling should be capable of supporting a weight of at least five (5) times the projector(s) or monitor(s) weight. If it cannot, the ceiling must be reinforced. Proper installation procedure by qualified personnel as outlined in the installation instructions must be adhered to. Failure to do so could result in serious personal injury.

### DESCRIPTION/HARDWARE

- A. Projector
- B. 4mmx20mm Phillip Head Screws
- C. 4mm Quick Release Sleeves
- D. Front Feet (Raise 3/8" from the projector)
- E. 4mmx8mm Knurl Knob
- F. Projector Mount
- G. Ceiling Structure
- H. Conical Spacer
- I. 6mm Flat Washer
- J. 6mmx12mm Hinge Pin bolts
- K. 6mmx12mm Angle Locking Bolts
- L. PBB-10RL Base Box
- M. (Optional) AST-2446 Suspension Post

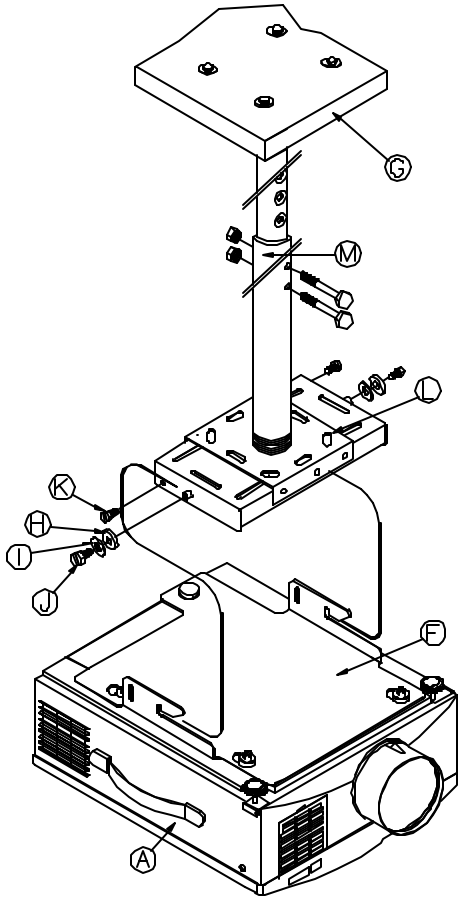


Figure 3



*Mounts with Muscle*

**PBM-867L**

*Progressive Marketing Products, Inc.*

2980-A Enterprise Street, Brea Ca, 92821  
Ph (800) 368-9700 Fax (800)832-4888  
E-mail: nmpd@nmpd.com Web Site: www.nmpd.com