

## INSTALLATION INSTRUCTIONS

### PROJECTOR MOUNT

#### PBL-525

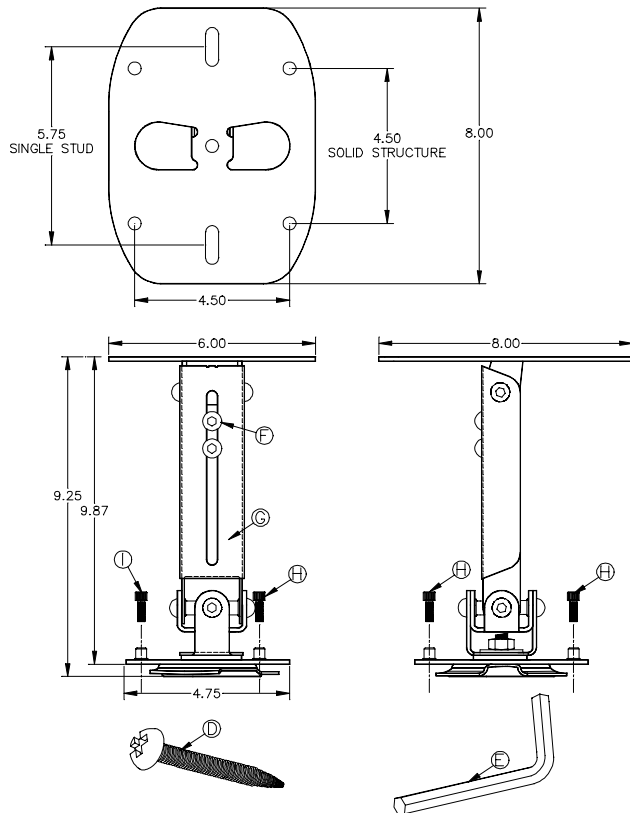
### WARNING!

The wall or ceiling should be capable of supporting a weight of at least five (5) times the projector's weight. If it cannot, the ceiling must be reinforced. Proper installation procedure by qualified personnel as outlined in the installation instructions must be adhered to. Failure to do so could result in serious personal injury.

### CHECK LIST

- |                                   |                     |
|-----------------------------------|---------------------|
| A. Mounting hardware (See step 2) | G. Extension column |
| B. Mounting bracket (1 ea.)       | H. Tension screws   |
| C. Projector (Not supplied)       | I. Safety screw     |
| D. #12 Screws (3 ea.)             |                     |
| E. Allen key (1 ea.)              |                     |
| F. Adjustable screws              |                     |

### DESCRIPTION



## INSTALLING THE MOUNTING BRACKET

### STEP 1

#### NOTE: STANDARD DIAGRAM SHOWN BELOW.

Invert the projector and place it on a soft and flat surface. Locate the mounting points found on the bottom of the chassis. Align the bracket to the projectors mounting points, raise or remove any feet levelers or any obstacle that prevents the bracket to align properly to the mounting points. See (Fig 1, 2).

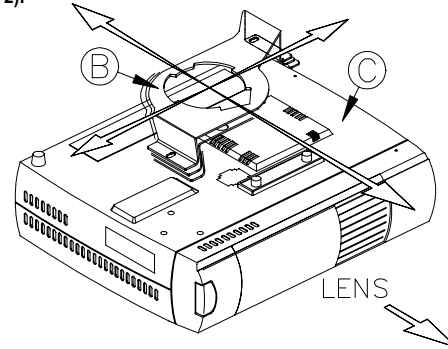


Fig 1

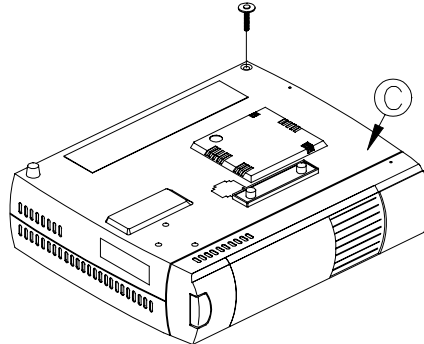


Fig 2

### STEP 2

To install the mounting bracket to the projector secure the bracket with two (2) 4 (mm) x 10 (mm) Phillip screw (Supplied) to the front of the projector. Install the two (2) 3 (mm) x 10 (mm) Phillip screw (Supplied) to the rear of the projector. Do not over tighten the screws. See (Fig 3).

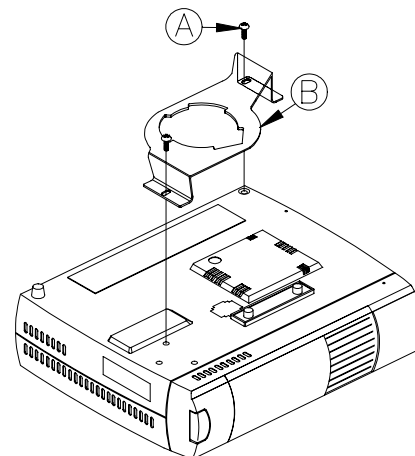


Fig 3

## CEILING INSTALLATION

### STEP 1

Unpack the Gyrolock® and see (WARNING) label before installing to any structure. Select the proper location for the Gyrolock®. They are three (3) mounting points for a single stud installation and four (4) mounting points for a solid structure installation.

**SINGLE STUD:** Locate the center of the single stud where the Gyrolock® will be installed. The three (3) center mounting points for this installation must be used. Secure the upper plate to the single stud with the three (3) #12 X 2" wood screws (supplied). Start to secure the plate to the outer mounting points first. The plate may travel 1/2" front to back from center. Secure the final wood screw to the center of the upper plate. See (Fig 1).

Locate the structure where the Gyrolock® will be located. Secure the upper plate to the structure by using the four mounting points found on the upper plate. Use suitable hardware (commercially available) depending on the installation requirements. See (Fig 2).

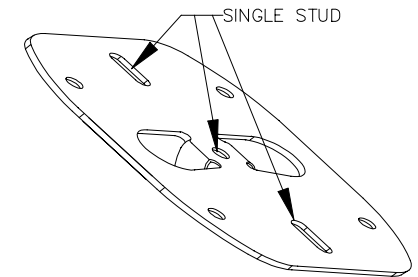


Fig 1

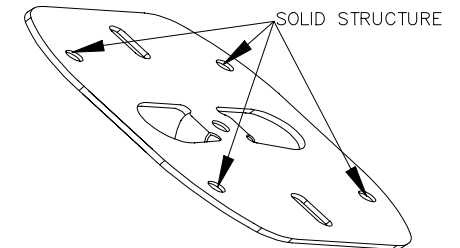


Fig 2

### STEP 2

Raise the projector with the mounting bracket attached. Fully insert the arrow design opening from the mounting bracket to the receiving tabs found on the bottom plate of the Gyrolock®. Once the bracket is inserted, rotate the projector 180° and align the front arrow shaped slot from the mounting bracket to the safety screw. The safety screw must go past the arrow shaped slot below to prevent further rotation. Finger tighten the rest of the tension screws to stabilize the mounting bracket.

See (Fig 3,4)

# INSTALLATION INSTRUCTIONS

## PBL-525 PROJECTOR MOUNT



Supplying  
the  
world  
with  
superior  
mounts

PROGRESSIVE MARKETING PRODUCTS, INC.

2980-A Enterprise Street, Brea Ca, 92821  
Ph (800) 368-9700 Fax (800)832-4888  
E-mail: [pmpi@pmpi.com](mailto:pmpi@pmpi.com) Web Site: [www.pmpi.com](http://www.pmpi.com)

### HEIGHT ADJUSTMENT

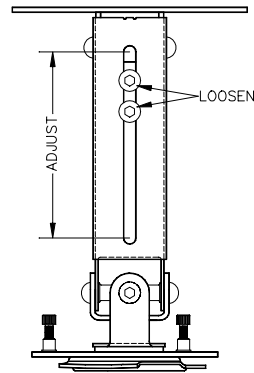


Fig 1

### FIXED INSTALLATION

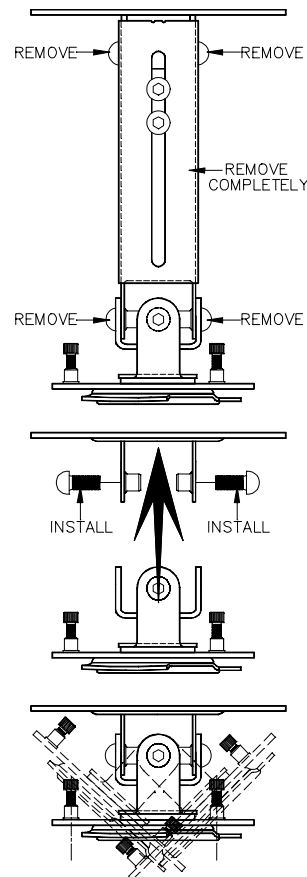


Fig 2

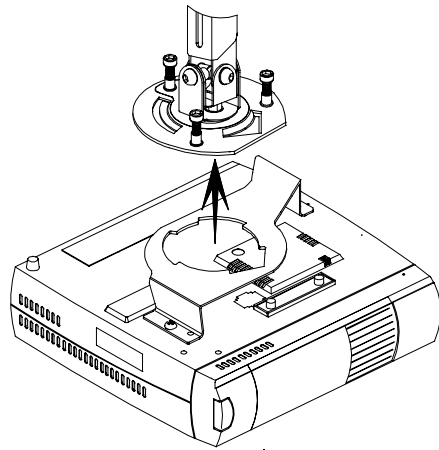


Fig 3

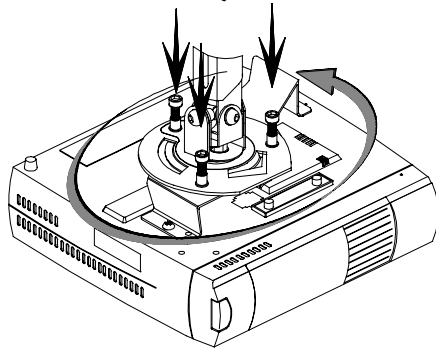


Fig 4

### HEIGHT ADJUSTABLE OR FIXED

#### STEP 1

To adjust from 9" to 12 1/2" simply loosen the two (2) 8 (mm) allen screws from the center of the column, adjust the height desired and retighten. See (Fig 1).

The Gyrolock® extension column can be removed for a 3" fixed ceiling installation by simply removing the two (2) upper and lower 8 (mm) allen screws from the plates, remove the extension and secure the bottom plate to the top plate by reinstalling two (2) 8 (mm) screws. See (Fig 2)

**Note:** Make sure the projector is not installed for a 3" fixed ceiling installation.

**Caution!** Make sure you don't remove the two (2) 8 (mm) completely from the extension column to adjust the height. Failure to do so may result in personal injury and damage to the projector. Simply loosen, adjust and tighten screws.

- Fixed or adjustable range of 9" to 12 1/2" or optional 24" to 46"
- Roll & pitch greater than + or - 20° from center
- Quick positive release with positive security lock
- 360° yaw
- Angled ceiling compensation to almost 90°
- Cables can be routed inside the adjustable column or 1.5" piping
- (Optional) PBC 1.5" for pipe installations