

# Network Television Systems Control Module

- Systems Television Control for a Single Set, Group of Sets, or All Sets
- Clone Programming Capability
- 75-ohm Antenna/Cable Input
- Composite Video Input
- S-Video Input
- Audio 1 & 2 Inputs
- External Speaker Output\*
- Optional Net1CCI Systems Control Software



## SMARTCARDS



TRANSMITTER CONTROL	
ADDRESS TYPE	SET
SET ID	6
RCVR POWER	ON
RCVR VOLUME	10
RCVR CHANNEL	7
RCVR LOCKOUT	LOCK
UPDATE RCVR TVS	
EXIT MENU	
PRESS +/- TO CHANGE	

Transmitter Control

RECEIVER CONTROL	
RCVR GROUP IDS	_____8
RCVR SET ID	500
EXIT MENU	
+/- OR DIGITS TO CHANGE	

Receiver Control



Setting Industry Standards™

Let's make things better.



PHILIPS

# Network Television Systems Control Module



*Net1Card Module allows you to control a network of 19", 25", 27", 32", or 36" SmartCard Televisions™ equipped with a Net1Card via a shared RF distribution system. Any Net1 television in the network can be configured to control all the Net1 televisions in the network, either individually, in groups, or all at once.*

## Technical Specifications:

- Product Dimensions: 3.81"W x 1"H x 5.56"D
- Product Weight: 1 lb.
- Frequency Requirement: RF System must allow passage of 7.5 MHz from transmitter to receiver TVs
- Network Capability: Up to 8 groups and hundreds of televisions
- Carton Contains: Net1Card Module (SmartCard Television™ Monitor Card), Installation Instructions, Warranty Information

## Accessories:

- RG4172BK Master Setup Remote (required to configure TV network)
- Net1CCI module

## Special Features:

### Systems Television Control

Control the power, adjust settings, and even lock out local control for individual TVs, select groups, or all TVs in the network.

### Clone Programming Capability

Copy all programming settings from one set into additional sets. This feature ensures programming uniformity between sets and significantly reduces installation time. Requires optional CLON99BK Smart Loader.

### 75-ohm Antenna/Cable Input

Compatible with any 75-ohm set-top/roof-top VHF/UHF antenna system as well as any residential/commercial CATV/CCTV system.

### Composite Video Input

A typical phono jack makes attachment of any VCR, camcorder, Web browser, or video game console quick and easy for excellent picture presentation.

### S-Video Input

A standard S-Video input simplifies connection to any S-VHS VCR/ camcorder, Web browser, or DVD player for the highest quality video images possible.

### Audio 1 & 2 Inputs

Regular phono jacks designed to accompany the S-Video and composite video inputs (respectively); these inputs accept a wide variety of audio sources.

### External Speaker Output\*

This 16-ohm mini-phone jack permits attachment of an external speaker for remote audio applications.

### Net1CCI Module (Optional)

Allows system to be controlled through a computer at the head-end. Provides event scheduler and additional channels.

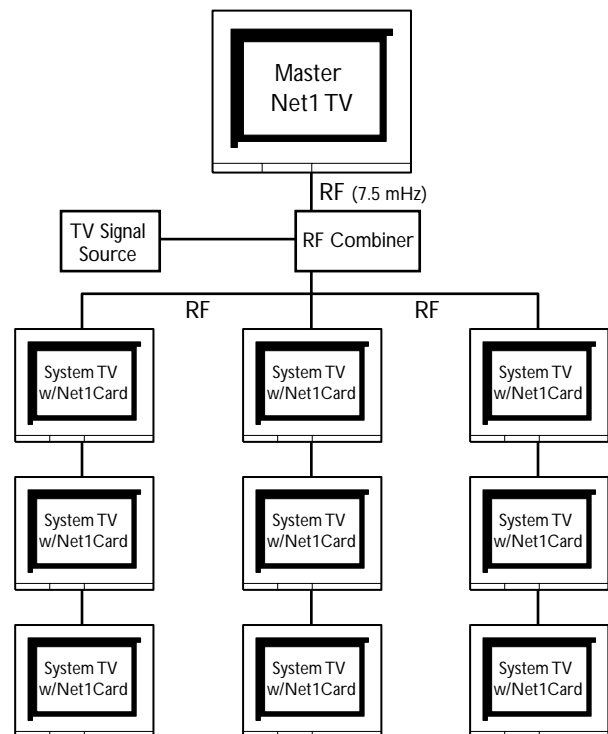
\* This feature will be available on television models manufactured after August 2001.

\* SmartCard Television is a trademark of Philips Consumer Electronics Co. Other product and company names mentioned herein may be the trademarks of their respective owners.

UPC: 037849869086

Case Pack (10) UPC: 10037849869083

## Net1 Network System



Philips Institutional TV (ITV)

©2001 Philips Consumer Electronics Company

A Division of Philips Electronics North America Corporation

Produced by Ballerini Marketing

PHILIPS ITV WEBSITE: <http://www.philipsitv.com>

Specifications subject to change without notice

Let's make things better.



PHILIPS