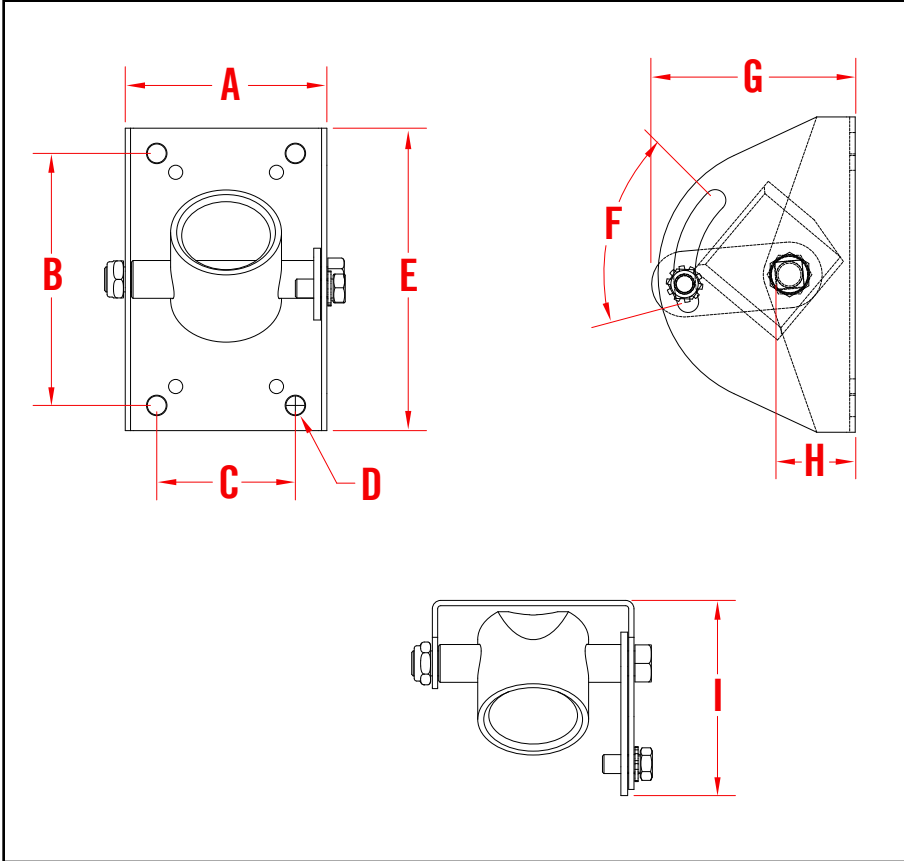


TILT-PA CEILING TILT MOUNT



TECHNICAL SPECIFICATIONS

A	4.00"	101.60mm
B	5.00"	127.00mm
C	2.75"	69.85mm
D	0.38"	9.53mm
E	6.00"	152.40mm
F	60°	60°
G	3.75"	95.25mm
H	1.21"	30.73mm
I	4.00"	101.60mm



Mounting adapter for ceiling drops

- Fits standard 1.5" NPT thread
- Provides 45°/15° of tilt
- Available in Black only
- 175 lb. (79.4 kg) max weight capacity
- May require an adapter plate