

OMNIMOUNT® SYSTEMS
UTILITY™
HARDWARE

OmniQuick™ Slide-Together Adjustable Mount
Model WQF- (+OmniMount Model #)*

What's the function?

Interlocking flanges allow quick, slide-together, fixed-position mounting on walls or ceilings.

What makes it so easy to install?

Quick four-phase installation by one technician.

1. Surface mounting bracket attaches with three lag screws into wood studs, joists or wood blocking.
2. Second half attaches to the back or top of the speaker or object to be mounted.
3. OmniMount clamp, ball and tube assembly is placed in wall bracket and secured with lock nut.
4. Two halves slide together in place with interlocking flanges, securing the load—Two security screws (included) capture both halves, locking them together.

What's the rated load?

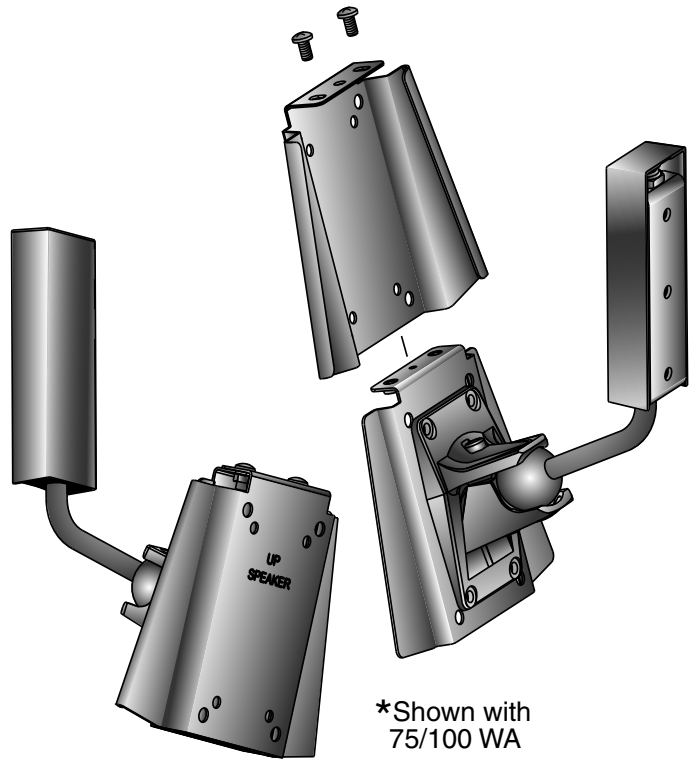
Mounts speakers up to 25 lbs. for 75 Series and 55 lbs. for 100 Series

Where and how would I use it?

- Facilitates one-man installation.
- Without the need to change pre-set angles of adjustment, this mount provides a quick slip on/slip off capability for wall or ceiling mounted speakers.
- With several mounts installed at several different locations speakers can be moved easily from one location to another. The required angles of adjustment at each

Why did OmniMount create Utility Hardware?

- The original, highly adjustable, OmniMount clamp-and-ball assembly is a "do-everything" product-- for many applications, just what you need.
- Utility Hardware gives you *only* what you need for applications where functions can be more limited.



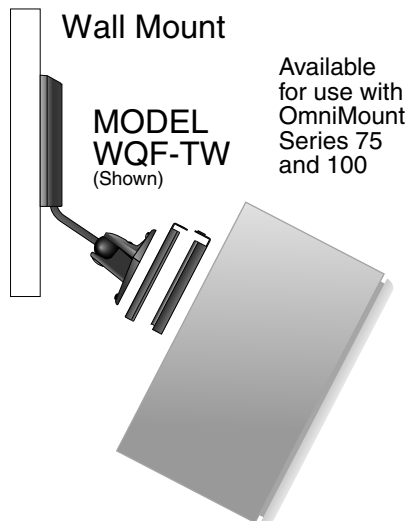
OmniMount's Utility Hardware provides ...

- Highly engineered design-- exceeds industry load standards. Testing data available on request.
- Efficient material use means mounts that weigh less.
- High levels of quality and safety: high load ratings.
- Simple, fast installation.
- Extremely competitive overall cost.

The total package equals superior value!

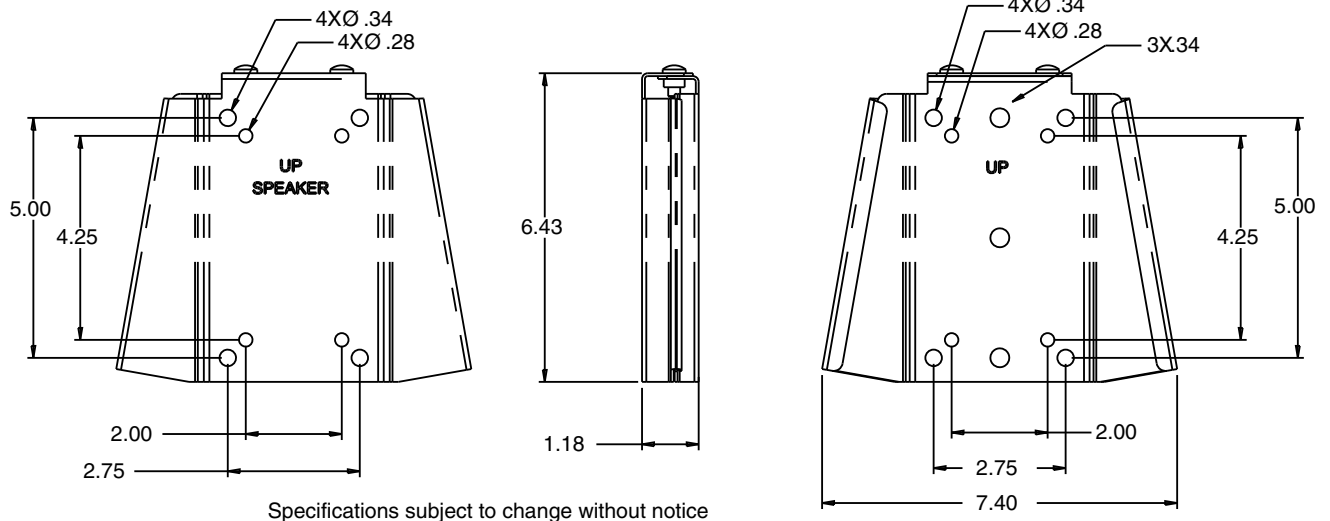
OmniQuick™ Slide-Together Adjustable Mount Configuration

*Slide-Together Adjustable Mounts can be configured with any 75 or 100 Series standard OmniMount product.



OmniQuick™ Slide-T together Adjustable Mount Model WQF- (+OmniMount Model #)*

Note: Secondary Support Cables are available in various lengths and configurations. See Price List for details.



Architectural Specifications

Description: OmniMount Systems Utility Hardware, OmniMount+OmniQuick, Model WQF-(+OmniMount Model #)*

Material: Interlocking plates and wall mount bracket shall be fabricated sheet steel. Clamp/Jaw assembly shall be cast aluminum. Tube/Ball assembly shall be the OmniMount proprietary polymer material cast onto heavy gauge steel tubing.

Finish/Color: Fabricated components shall be deburred prior to application of black powder coat or baked finish.

Load Rating: Shall be up to 25 lbs. for 75 Series and 55 lbs. for 100 Series

Testing: Shall be tested to exceed the requirements of UL® Standard 1678.

Net Weight Each Unit: Net weight for 75 Series is 3.25 lbs. and for 100 Series is 4.25 lbs.



Key Points of Competitive Difference OmniMount Products vs The Competition

Quality and Safety Testing

- An industry benchmark... All OmniMount metal mount components are deburred and powder coated. Tubular parts with an attached polymer ball are finished with a heavy-duty baked-on paint.
- All OmniMount products are tested in accordance with UL® Standard 1678 to exceed a minimum of four times the rated load. In many cases where we actually exceed this standard, our working load rating is based on many other factors, including field use information accumulated over years of practice by our broad customer base including contractors and professional installers.
- We are so confident of our total quality that we invite and welcome direct comparisons.

Packaging, Shipping, Weight and Freight

- Best packaging in the industry to ensure that products arrive clean and complete to the job site and stay complete until installation... We will also support special packing needs that work with your project flow.
- OmniMount's Utility Hardware maximizes functionality and safety while minimizing weight. The reduced weight reduces freight cost and makes installation easier. Drop-shipping to specific job sites is available.
- We have found some of our competitors' hardware to be excessively heavy for the task (Heavier is not necessarily better, stronger or safer). If you use over-designed mounts you will often pay a penalty in higher component cost, higher shipping cost and slower installation. All this adds up to a higher *total* cost of installation.

OmniMount's mission is to provide complete mounting solutions, not just mounting brackets.

Item # 1000257

Manufacturers and Marketers

- Many of our competitors outsource fabrication to job shops without fabricating anything themselves. This adds more cost with less control of quality. We design, engineer, test and manufacture in our own facility. OmniMount has made significant investments in people, facilities and equipment to be the leader in the mounting business for the "long haul."
- OmniMount is a real manufacturer, not just a marketer. In addition to standard products, our design experience and factory engineering support mean rapid response to your needs for application help as well as any requirements for customization.

The "Industry Standard"

- The OmniMount standard for hole center spacing has been adopted by major speaker manufacturers as well as our competitors. Without actually stating it, most of our competitors acknowledge that OmniMount is the industry standard for mounting speakers.

Communication and Customer Service

- We have digital and voice communications that support the coordination and efficiency of the entire business process from end-to-end... Sales... Customer Service... Scheduling... Production... Shipping... Technical support... Electronic Data Interchange.



OMNIMOUNT
SYSTEMS



OmniMount Systems, Inc.

The Pointe at South Mountain
8201 South 48th Street
Phoenix, Arizona 85044-5355
Voice: 480.829.8000 Fax: 480.756.9000
email: hdqrs@omnimount.com

