

Pan and Tilt Mount
 Model VM-1

What 's the function?

Full pan and tilt angle adjustment in 2 discrete planes.

What makes it so easy to install?

Quick four-phase installation by one technician.

1. The wall bracket is separately mounted to the wall. It's attached with six drive screws into a solid wood substrate, or with three lag screws into a wall stud.
2. The tubular "T" arm and the speaker plate assembly mount to the back of the speaker as one unit.
3. The speaker, the speaker plate and the tubular "T" arm slide into the top of the wall bracket then drop down into the bottom.
4. Pan angle fixed by tightening locknut. Tilt angle fixed by tightening two bolts

What 's the rated load?

Mounts objects up to 50 lbs. on walls.

Where and how would I use it?

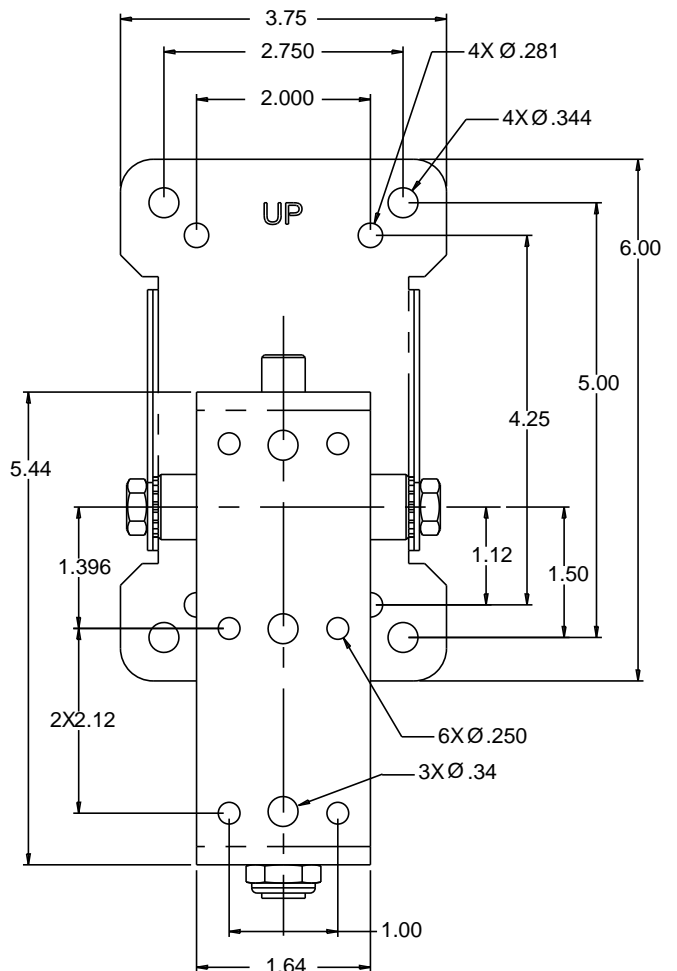
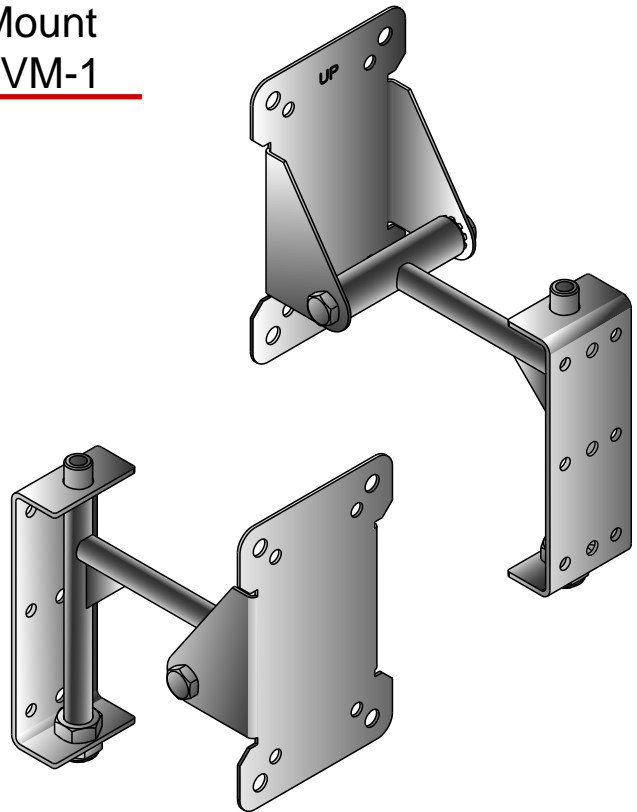
- Rectangular and pre-angled box construction speakers where full pan and tilt adjustment is desired.
- Any object where full pan and tilt adjustment is desired.
- Easily handles JBL® 8330A and similar surround speakers.

Why did OmniMount create Utility Hardware?

- The original, highly adjustable, OmniMount clamp-and-ball assembly is a "do-everything" product-- for many applications, just what you need.
- Utility Hardware gives you *only* what you need for applications where functions can be more limited.

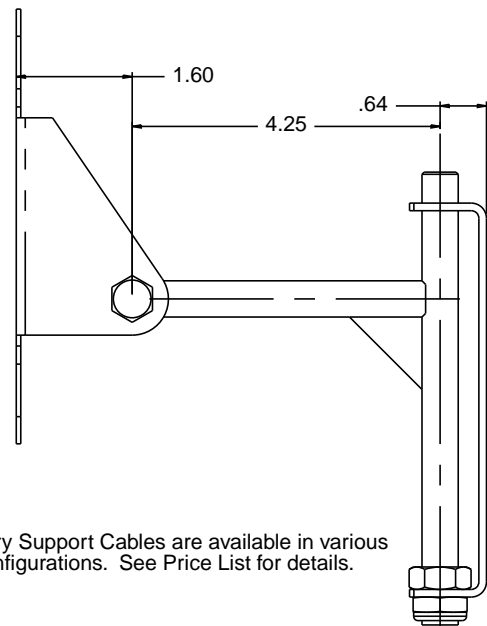
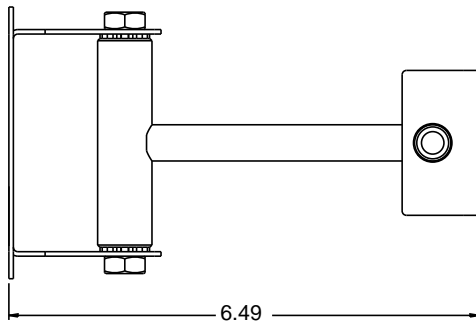
OmniMount 's Utility Hardware provides ...

- Highly engineered design-- exceeds industry load standards. Testing data available on request.
- Efficient material use means mounts that weigh less.
- High levels of quality and safety: high load ratings
- Simple, fast installation.
- Extremely competitive overall cost.



The total package equals superior value!

Pan and Tilt Mount Model VM-1



Note: Secondary Support Cables are available in various lengths and configurations. See Price List for details.

Specifications subject to change without notice

Architectural Specifications

Description: OmniMount Systems Utility Hardware, Standard Duty Variable Mount, Model VM-1

Material: Shall be fabricated sheet steel, welded tubing and bored, welded solid steel rod.

Finish/Color: All fabricated components shall be deburred prior to application of black powder coat finish.

Load Rating: Shall be up to 50 lbs. for wall installations

Testing: Shall be tested to exceed the requirements of UL® Standard 1678.

Net Weight Each Unit: 1.75 lbs.

OMNIMOUNT® SYSTEMS
UTILITY
HARDWARE

Key Points of Competitive Difference OmniMount Products vs The Competition

Quality and Safety Testing

- An industry benchmark... All OmniMount metal mount components are deburred and powder coated. Tubular parts with an attached polymer ball are finished with a heavy-duty baked-on paint.
- All OmniMount products are tested in accordance with UL® Standard 1678 to exceed a minimum of four times the rated load. In many cases where we actually exceed this standard, our working load rating is based on many other factors, including field use information accumulated over years of practice by our broad customer base including contractors and professional installers.
- We are so confident of our total quality that we invite and welcome direct comparisons.

Packaging, Shipping, Weight and Freight

- Best packaging in the industry to ensure that products arrive clean and complete to the job site and stay complete until installation... We will also support special packing needs that work with your project flow.
- OmniMount's Utility Hardware maximizes functionality and safety while minimizing weight. The reduced weight reduces freight cost and makes installation easier. Drop-shipping to specific job sites is available.
- We have found some of our competitors' hardware to be excessively heavy for the task (Heavier is not necessarily better, stronger or safer). If you use over-designed mounts you will often pay a penalty in higher component cost, higher shipping cost and slower installation. All this adds up to a higher *total* cost of installation.

OmniMount's mission is to provide complete mounting solutions, not just mounting brackets.

Item # 1000263

Manufacturers and Marketers

- Many of our competitors outsource fabrication to job shops without fabricating anything themselves. This adds more cost with less control of quality. We design, engineer, test and manufacture in our own facility. OmniMount has made significant investments in people, facilities and equipment to be the leader in the mounting business for the "long haul."
- OmniMount is a real manufacturer, not just a marketer. In addition to standard products, our design experience and factory engineering support mean rapid response to your needs for application help as well as any requirements for customization.

The "Industry Standard"

- The OmniMount standard for hole center spacing has been adopted by major speaker manufacturers as well as our competitors. Without actually stating it, most of our competitors acknowledge that OmniMount is the industry standard for mounting speakers.

Communication and Customer Service

- We have digital and voice communications that support the coordination and efficiency of the entire business process from end-to-end... Sales... Customer Service... Scheduling... Production... Shipping... Technical support... Electronic Data Interchange.



OMNIMOUNT®
SYSTEMS



OmniMount Systems, Inc.

The Pointe at South Mountain
8201 South 48th Street
Phoenix, Arizona 85044-5355
Voice: 480.829.8000 Fax: 480.756.9000
email: hdqrs@omnimount.com



OMNIMOUNT® SYSTEMS
UTILITY™
HARDWARE

Pan and Tilt Mount
 Model VM-2

What 's the function?

Full pan and tilt angle adjustment in 2 discrete planes.

What makes it so easy to install?

Quick four-phase installation by one technician.

1. The wall bracket is separately mounted to the wall. It's attached with six drive screws into a solid wood substrate or, with three lag screws into a wall stud.
2. The tubular "T" arm and the speaker plate assembly mount to the back of the speaker as one unit.
3. The speaker, the speaker plate and the tubular "T" arm slide into the top of the wall bracket then drop down into the bottom.
4. Pan angle fixed by tightening locknut. Tilt angle fixed by tightening three bolts

What 's the rated load?

Mounts objects up to 100 lbs. on walls.

Where and how would I use it?

- Rectangular and pre-angled box construction speakers where full pan and tilt adjustment is desired.
- Any object where full pan and tilt adjustment is desired.

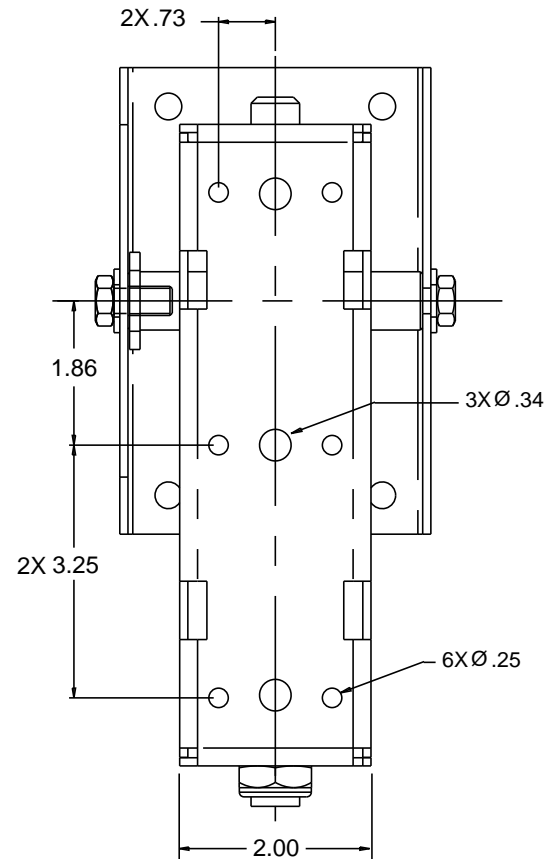
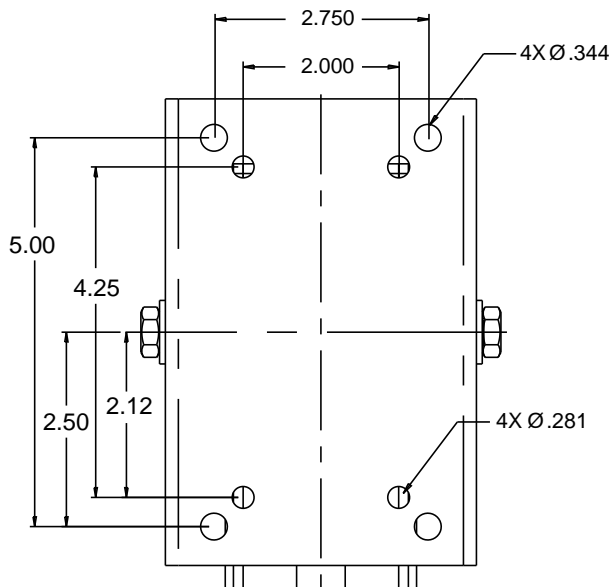
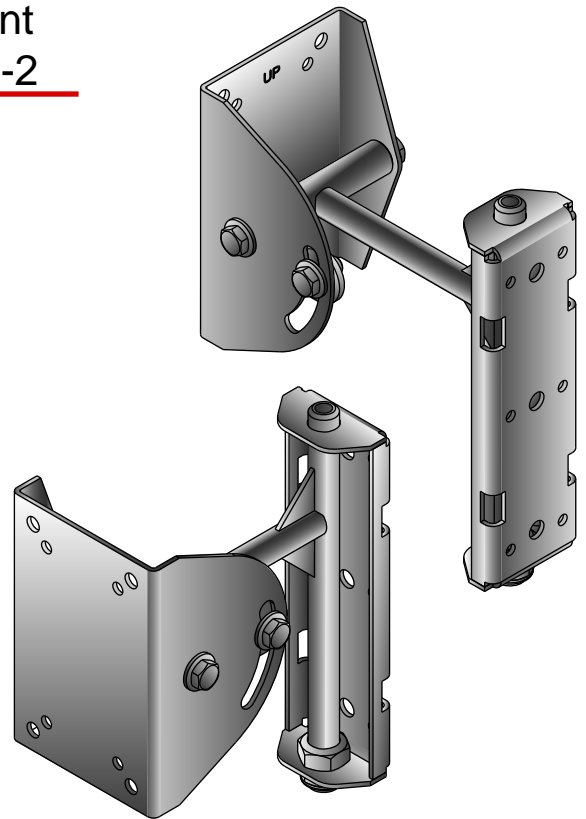
Why did OmniMount create Utility Hardware?

- The original, highly adjustable, OmniMount clamp-and-ball assembly is a "do-everything" product-- for many applications, just what you need.
- Utility Hardware gives you *only* what you need for applications where functions can be more limited.

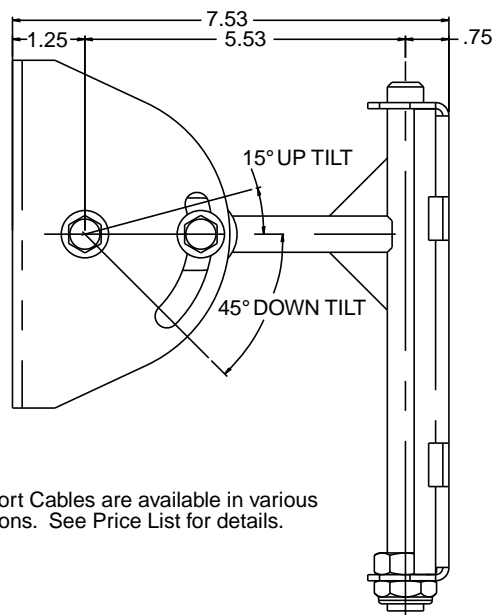
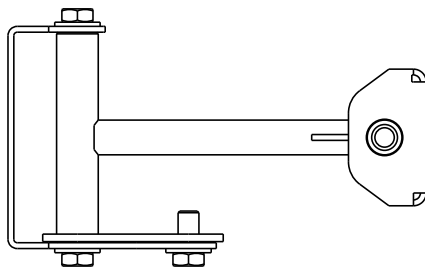
OmniMount 's Utility Hardware provides ...

- Highly engineered design-- exceeds industry load standards. Testing data available on request.
- Efficient material use means mounts that weigh less.
- High levels of quality and safety: high load ratings.
- Simple, fast installation.
- Extremely competitive overall cost.

The total package equals superior value!



Pan and Tilt Mount Model VM-2



Note: Secondary Support Cables are available in various lengths and configurations. See Price List for details.

Specifications subject to change without notice

Architectural Specifications

Description: OmniMount Systems Utility Hardware, Heavy Duty Variable Mount, Model VM-2

Material: Shall be fabricated sheet steel, welded tubing and bored, welded solid steel rod.

Finish/Color: All fabricated components shall be deburred prior to application of black powder coat finish.

Load Rating: Shall be up to 100 lbs. for wall installations

Testing: Shall be tested to exceed the requirements of UL® Standard 1678.

Net Weight Each Unit: 4.5 lbs.

OMNIMOUNT® SYSTEMS
UTILITY
HARDWARE

Key Points of Competitive Difference OmniMount Products vs The Competition

Quality and Safety Testing

- An industry benchmark... All OmniMount metal mount components are deburred and powder coated. Tubular parts with an attached polymer ball are finished with a heavy-duty baked-on paint.
- All OmniMount products are tested in accordance with UL® Standard 1678 to exceed a minimum of four times the rated load. In many cases where we actually exceed this standard, our working load rating is based on many other factors, including field use information accumulated over years of practice by our broad customer base including contractors and professional installers.
- We are so confident of our total quality that we invite and welcome direct comparisons.

Packaging, Shipping, Weight and Freight

- Best packaging in the industry to ensure that products arrive clean and complete to the job site and stay complete until installation... We will also support special packing needs that work with your project flow.
- OmniMount's Utility Hardware maximizes functionality and safety while minimizing weight. The reduced weight reduces freight cost and makes installation easier. Drop-shipping to specific job sites is available.
- We have found some of our competitors' hardware to be excessively heavy for the task (Heavier is not necessarily better, stronger or safer). If you use over-designed mounts you will often pay a penalty in higher component cost, higher shipping cost and slower installation. All this adds up to a higher *total* cost of installation.

OmniMount's mission is to provide complete mounting solutions, not just mounting brackets.

Item # 1000264

Manufacturers and Marketers

- Many of our competitors outsource fabrication to job shops without fabricating anything themselves. This adds more cost with less control of quality. We design, engineer, test and manufacture in our own facility. OmniMount has made significant investments in people, facilities and equipment to be the leader in the mounting business for the "long haul."
- OmniMount is a real manufacturer, not just a marketer. In addition to standard products, our design experience and factory engineering support mean rapid response to your needs for application help as well as any requirements for customization.

The "Industry Standard"

- The OmniMount standard for hole center spacing has been adopted by major speaker manufacturers as well as our competitors. Without actually stating it, most of our competitors acknowledge that OmniMount is the industry standard for mounting speakers.

Communication and Customer Service

- We have digital and voice communications that support the coordination and efficiency of the entire business process from end-to-end... Sales... Customer Service... Scheduling... Production... Shipping... Technical support... Electronic Data Interchange.



OMNIMOUNT®
SYSTEMS

OmniMount Systems, Inc.

The Pointe at South Mountain
8201 South 48th Street
Phoenix, Arizona 85044-5355
Voice: 480.829.8000 Fax: 480.756.9000
email: hdqrs@omnimount.com

