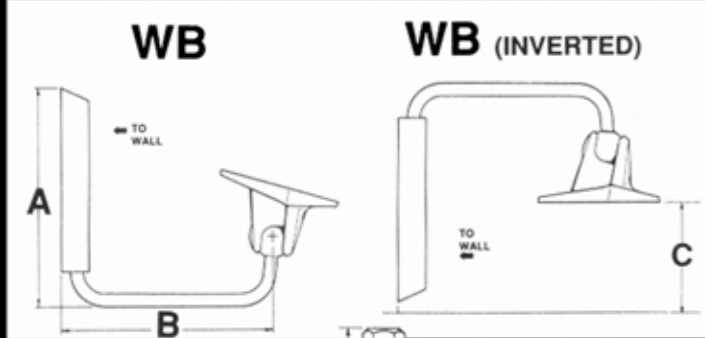
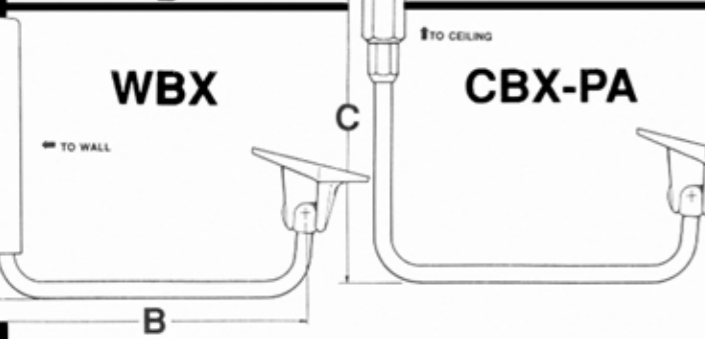


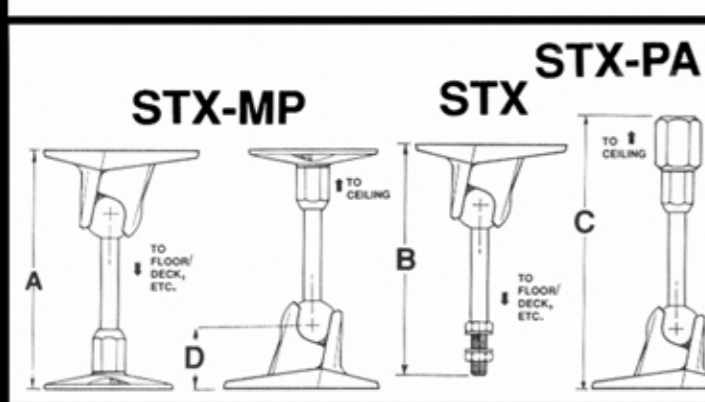
	20.0 SERIES	30.0 SERIES	60.0 SERIES	120.0 SERIES
A	6 1/2	6 1/2	9 1/2	12 1/2
B	158.8	158.8	235.0	315.9
C	4 1/2	5 3/8	6 7/8	9 1/2
D	117.5	136.5	174.6	241.3
E	9 1/2	10	14	19
F	241.3	254.0	355.6	482.6
G	9	10 1/2	13 1/2	18 1/2
H	228.6	260.4	333.4	463.6
I	10	11 1/2	14 3/8	19 1/2
J	254.0	287.8	365.1	495.3



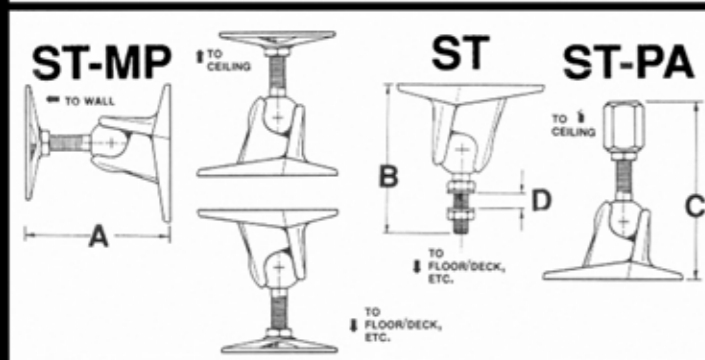
	10.0 SERIES	20.0 SERIES	30.0 SERIES	60.0 SERIES	120.0 SERIES	240.0 SERIES
A	7 3/8	8 1/2	11	14 3/8		
B	187.3	206.4	279.4	347.7		
C	7	9 3/8	10 1/2	15 3/8	14 1/2	
D	177.8	247.7	273.1	390.5	368.3	
E	3 1/2	3 3/8	4 1/2	6		
F	79.4	79.4	123.8	152.4		



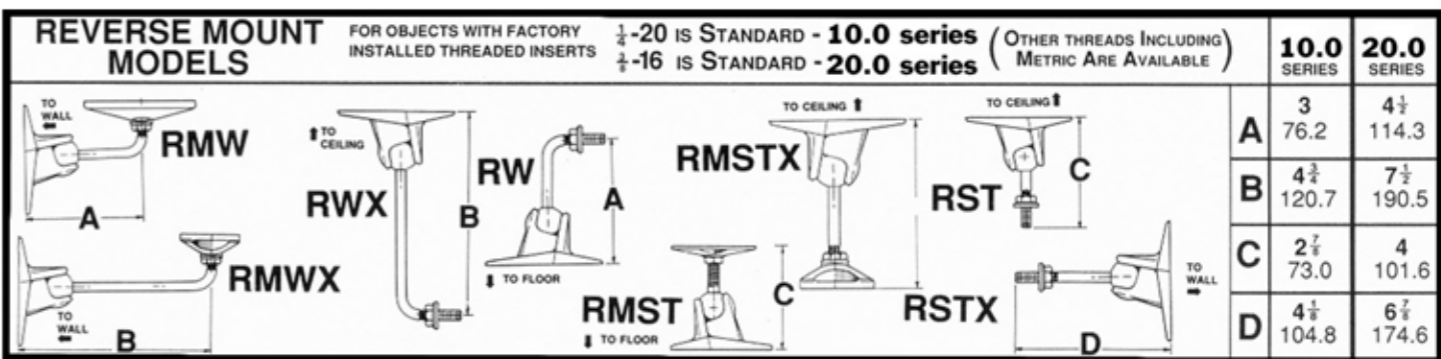
	10.0 SERIES	20.0 SERIES	30.0 SERIES	60.0 SERIES	120.0 SERIES	240.0 SERIES
A	7 1/2		14	14	14 3/8	20 3/8
B	184.2		355.6	355.6	374.7	517.5
C	7 1/2		14 3/8	18	18 3/8	24
D	184.2		374.7	457.2	473.1	609.6
E	7 1/2				15 3/8	22
F	200.0				390.5	558.8



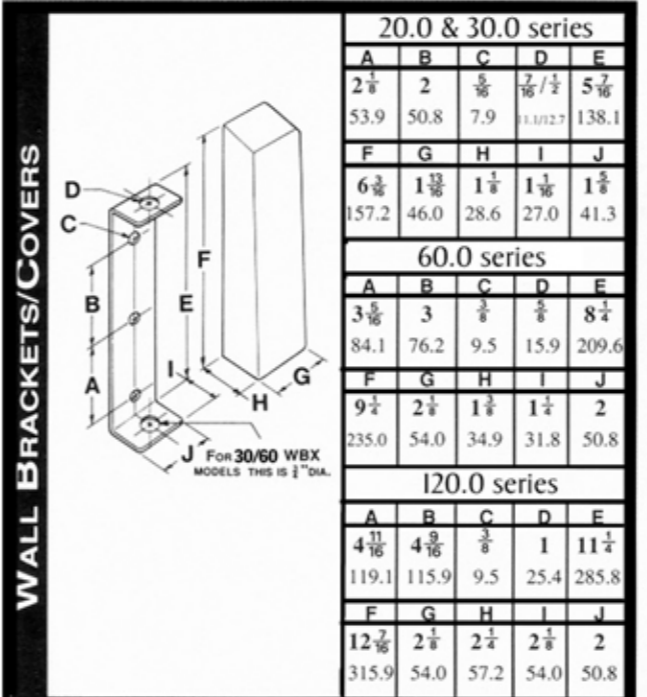
	10.0 SERIES	20.0 SERIES	30.0 SERIES	60.0 SERIES	120.0 SERIES	240.0 SERIES
A	4 1/2	6 1/2	7 1/2	9 1/2	12 1/2	16
B	104.8	168.3	181.0	241.3	317.5	406.4
C	4 1/2	6 1/2	7	9 3/8	12 1/2	15
D	104.8	165.1	177.8	238.1	317.5	381
E	4 1/2	7 1/2	8 1/2	10 1/2	13 1/2	16 1/2
F	120.7	190.5	209.6	266.7	349.3	428.6
G	1 3/16	1 1/2	2 1/16	2 3/8	3 7/16	4 1/2
H	30.2	44.5	52.4	66.7	88.9	111.1



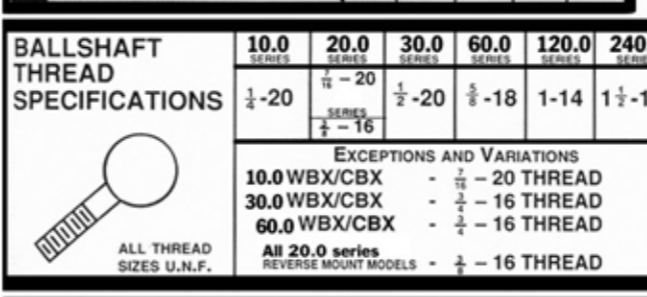
	10.0 SERIES	20.0 SERIES	30.0 SERIES	60.0 SERIES	120.0 SERIES	240.0 SERIES
A	3	3 1/2	4 3/8	6 1/2	7	11 1/2
B	76.2	98.4	117.5	155.8	177.8	285.8
C	2 1/2	3 1/2	4 1/2	6	7	10 3/8
D	73.0	98.4	114.3	152.4	177.8	263.5
E		4 3/8	5 3/8	7 1/2	8 1/2	12
F		120.7	146.1	184.2	209.6	304.8
G		1/2	1/2	1/2	3/4	1
H		12.7	12.7	12.7	19.1	25.4



	10.0 SERIES	20.0 SERIES
A	3	4 1/2
B	76.2	114.3
C	4 3/8	7 1/2
D	120.7	190.5
E	2 7/8	4
F	73.0	101.6
G	4 1/2	6 7/8
H	104.8	174.6

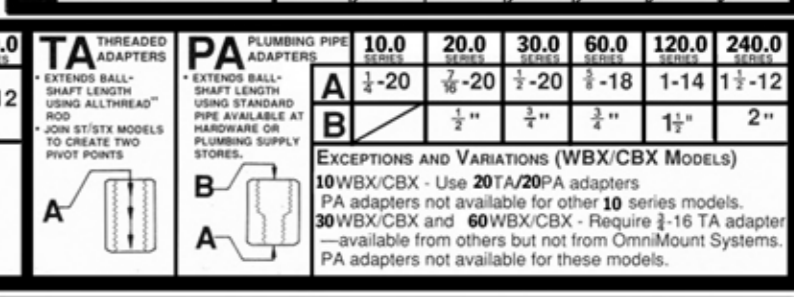


5.0 & 10.0 series (2 HOLE)					20.0 series (2 HOLE)					30.0 series (4 HOLE)				
A	B	C	D	E	A	B	C	D	E	A	B	C	D	E
2 3/8	2 3/8	1/2	1 5/8	3 3/8	3 3/8	3	1/2	2 3/8	1 3/8	4 7/8	4 1/2	1/2	2 3/8	2
71.4	60.3	6.4	41.3	20.6	92.0	76.2	6.4	55.6	27.8	123.8	107.9	6.4	74.6	50.8
60.0 series (4 HOLE)					120.0 series (4 HOLE)					240.0 series (4 HOLE)				
A	B	C	D	E	A	B	C	D	E	A	B	C	D	E
6	5	5/8	4	2 1/2	8	6 7/8	3/8	5	3 1/2	10 1/2	9 1/2	1/2	7	5
152.4	127.0	7.9	101.6	69.9	203.2	174.6	9.5	127.0	87.3	273.1	241.3	12.7	177.8	127.0



10.0 SERIES	20.0 SERIES	30.0 SERIES	60.0 SERIES	120.0 SERIES	240.0 SERIES
1/2-20	3/8-20	1/2-20	5/8-18	1-14	1 1/2-12

EXCEPTIONS AND VARIATIONS
10.0 WBX/CBX - 7/16 - 20 THREAD
30.0 WBX/CBX - 1/2 - 16 THREAD
60.0 WBX/CBX - 3/4 - 16 THREAD
All 20.0 series REVERSE MOUNT MODELS - 3/4 - 16 THREAD



10.0 SERIES	20.0 SERIES	30.0 SERIES	60.0 SERIES	120.0 SERIES	240.0 SERIES
1/2-20	3/8-20	1/2-20	5/8-18	1-14	1 1/2-12

EXCEPTIONS AND VARIATIONS (WBX/CBX MODELS)
10 WBX/CBX - Use **20TA/20PA** adapters
30 WBX/CBX and **60 WBX/CBX** - Require 3/4-16 TA adapter
 —available from others but not from OmniMount Systems.
 PA adapters not available for these models.

*INCH callouts are in bold face at the top of each box. MM callouts are in plain text
 or simplicity, some illustrations may not be to scale. Specifications are subject to change without prior notice. Contact factory directly to verify critical dimensions. Every effort has been made to provide accurate dimensions and specifications. OmniMount systems cannot be held responsible for any errors or omissions.