

Telescoping Mount  
 Model WTT -20

What ' s the function?

Sliding tubes provide 3 depth dimensions from wall.

What makes it so easy to install?

Quick three-phase installation by one technician.

1. Wall half attaches with eight drive screws into a solid wood substrate.
2. Second half attaches to the back of the speaker or object to be mounted.
3. Mating tubes slide together and positioning/security screw is inserted.

What ' s the rated load?

Mounts objects up to 70 lbs. on walls.

Where and how would I use it?

- Rectangular and box construction speakers where depth-adjustment from wall and 20° or custom-specified down angle is desired.
- 0° available as Model WTT-Z. Custom angles available on request.
- Any object where depth adjustment from wall is desired- three positions - 6 1/4", 7 1/4", 8 1/4" at center of tube.

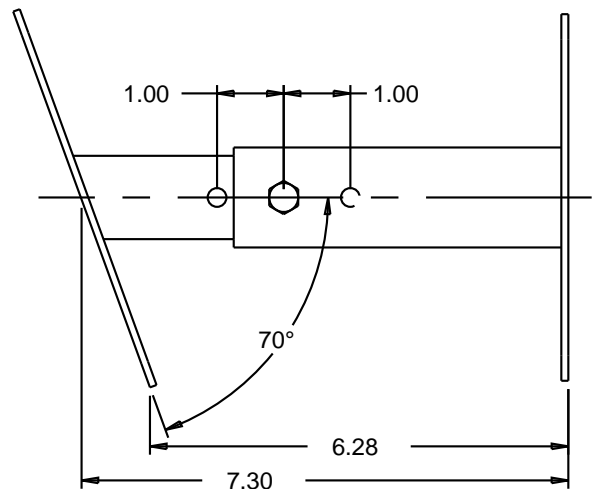
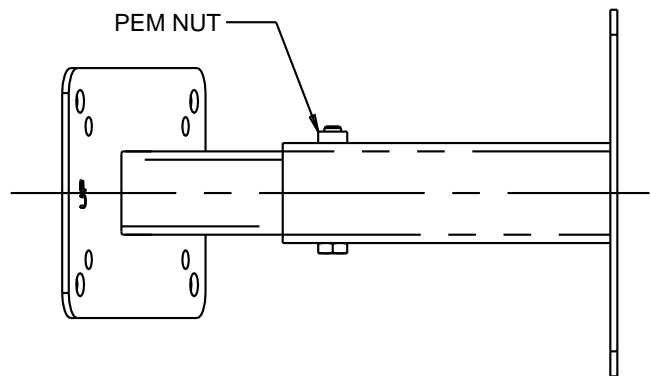
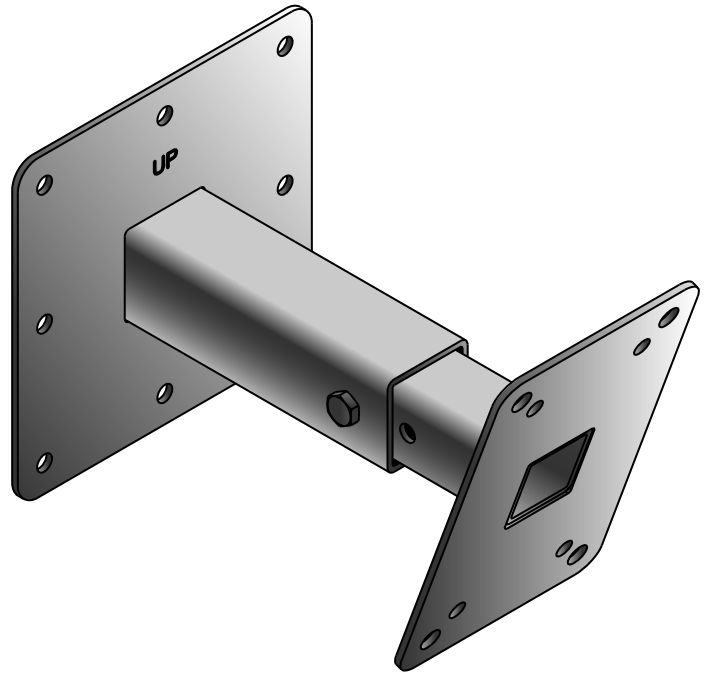
Why did OmniMount create Utility Hardware?

- The original, highly adjustable, OmniMount clamp-and-ball assembly is a "do-everything" product-- for many applications, just what you need.
- Utility Hardware gives you *only* what you need for applications where functions can be more limited.

OmniMount ' s Utility Hardware provides ...

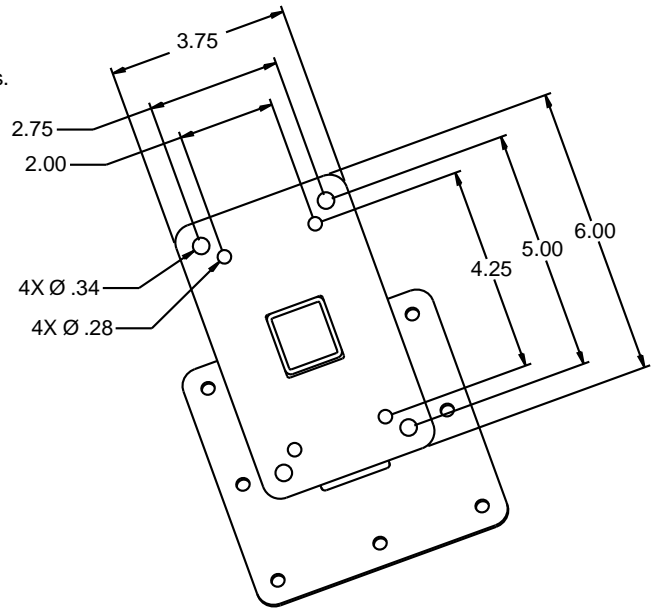
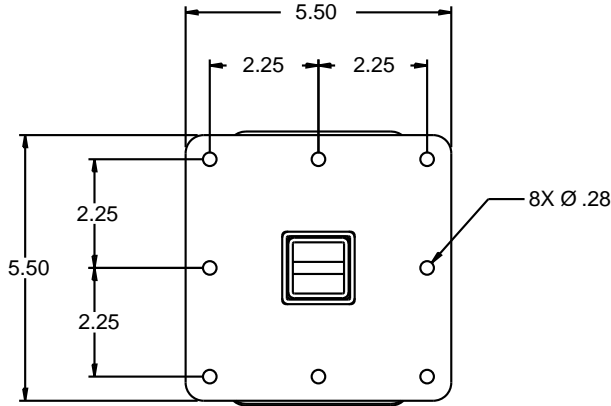
- Highly engineered design-- exceeds industry load standards. Testing data available on request.
- Efficient material use means mounts that weigh less.
- High levels of quality and safety: high load ratings.
- Simple, fast installation.
- Extremely competitive overall cost.

The total package equals superior value!



# Telescoping Mount Model WTT -20

Note: Secondary Support Cables are available in various lengths and configurations. See Price List for details.



Specifications subject to change without notice



**Architectural Specifications**  
**Description:** OmniMount Systems Utility Hardware, Standard Duty Telescoping Mount, Model WTT-20 or WTT-Custom  
**Material:** Shall be fabricated sheet steel welded to nested square steel tubing  
**Finish/Color:** All fabricated components shall be deburred prior to application of black powder coat finish.  
**Load Rating:** Shall be up to 70 lbs. for wall installations  
**Testing:** Shall be tested to exceed the requirements of UL® Standard 1678.  
**Net Weight Each Unit:** 3 lbs.

## Key Points of Competitive Difference OmniMount Products vs The Competition

### Quality and Safety Testing

- An industry benchmark... All OmniMount metal mount components are deburred and powder coated. Tubular parts with an attached polymer ball are finished with a heavy-duty baked-on paint.
- All OmniMount products are tested in accordance with UL® Standard 1678 to exceed a minimum of four times the rated load. In many cases where we actually exceed this standard, our working load rating is based on many other factors, including field use information accumulated over years of practice by our broad customer base including contractors and professional installers.
- We are so confident of our total quality that we invite and welcome direct comparisons.

### Packaging, Shipping, Weight and Freight

- Best packaging in the industry to ensure that products arrive clean and complete to the job site and stay complete until installation... We will also support special packing needs that work with your project flow.
- OmniMount's Utility Hardware maximizes functionality and safety while minimizing weight. The reduced weight reduces freight cost and makes installation easier. Drop-shipping to specific job sites is available.
- We have found some of our competitors' hardware to be excessively heavy for the task (Heavier is not necessarily better, stronger or safer). If you use over-designed mounts you will often pay a penalty in higher component cost, higher shipping cost and slower installation. All this adds up to a higher total cost of installation.

**OmniMount's mission is to provide complete mounting solutions, not just mounting brackets.**

Item # 1000260

## Manufacturers and Marketers

- Many of our competitors outsource fabrication to job shops without fabricating anything themselves. This adds more cost with less control of quality. We design, engineer, test and manufacture in our own facility. OmniMount has made significant investments in people, facilities and equipment to be the leader in the mounting business for the "long haul."
- OmniMount is a real manufacturer, not just a marketer. In addition to standard products, our design experience and factory engineering support mean rapid response to your needs for application help as well as any requirements for customization.

### The "Industry Standard"

- The OmniMount standard for hole center spacing has been adopted by major speaker manufacturers as well as our competitors. Without actually stating it, most of our competitors acknowledge that OmniMount is the industry standard for mounting speakers.

### Communication and Customer Service

- We have digital and voice communications that support the coordination and efficiency of the entire business process from end-to-end... Sales... Customer Service... Scheduling... Production... Shipping... Technical support... Electronic Data Interchange.



**OMNIMOUNT**  
SYSTEMS



**OmniMount Systems, Inc.**  
 The Pointe at South Mountain  
 8201 South 48th Street  
 Phoenix, Arizona 85044-5355  
 Voice: 480.829.8000 Fax: 480.756.9000  
 email: hdqrs@omnimount.com



Telescoping Mount  
Model WTT -Z

What 's the function?

Sliding tubes provide 3 depth dimensions from wall.

What makes it so easy to install?

Quick three-phase installation by one technician.

1. Wall half attaches with eight drive screws into a solid wood substrate.
2. Second half attaches to the back of the speaker or object to be mounted.
3. Mating tubes slide together and positioning/security screw is inserted.

What 's the rated load?

Mounts objects up to 70 lbs. on walls.

Where and how would I use it?

- Rectangular and box construction speakers where parallel orientation to wall is desired.
- Any object where depth adjustment from wall is desired—three positions – 6<sup>1</sup>/<sub>2</sub>" , 7<sup>1</sup>/<sub>2</sub>" , 8<sup>1</sup>/<sub>2</sub>".

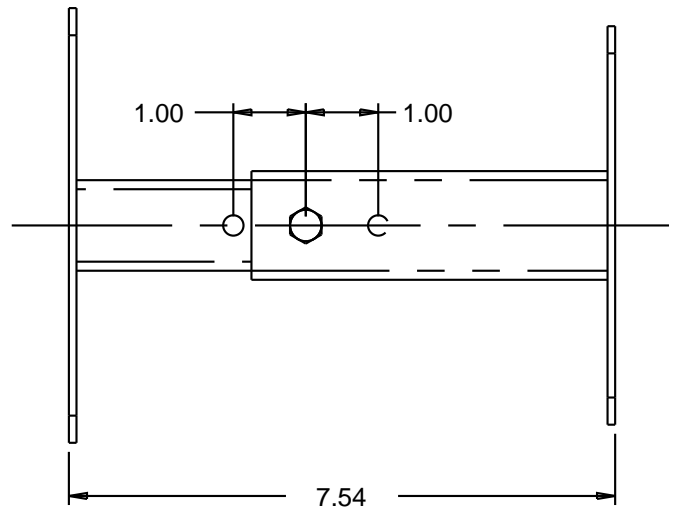
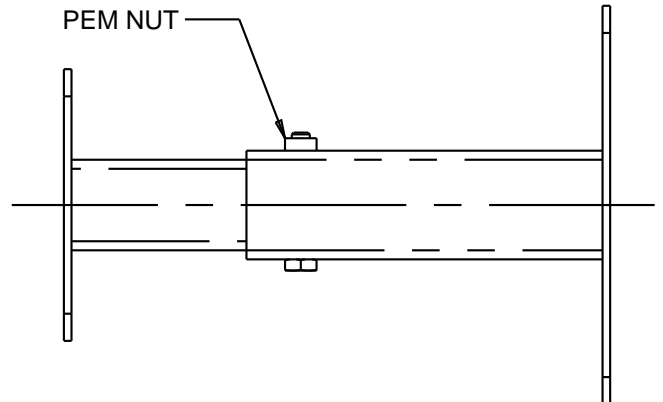
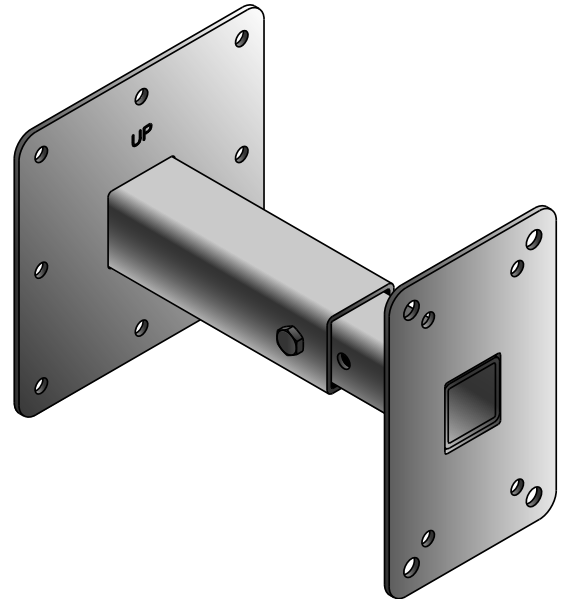
Why did OmniMount create Utility Hardware?

- The original, highly adjustable, OmniMount clamp-and-ball assembly is a "do-everything" product-- for many applications, just what you need.
- Utility Hardware gives you *only* what you need for applications where functions can be more limited.

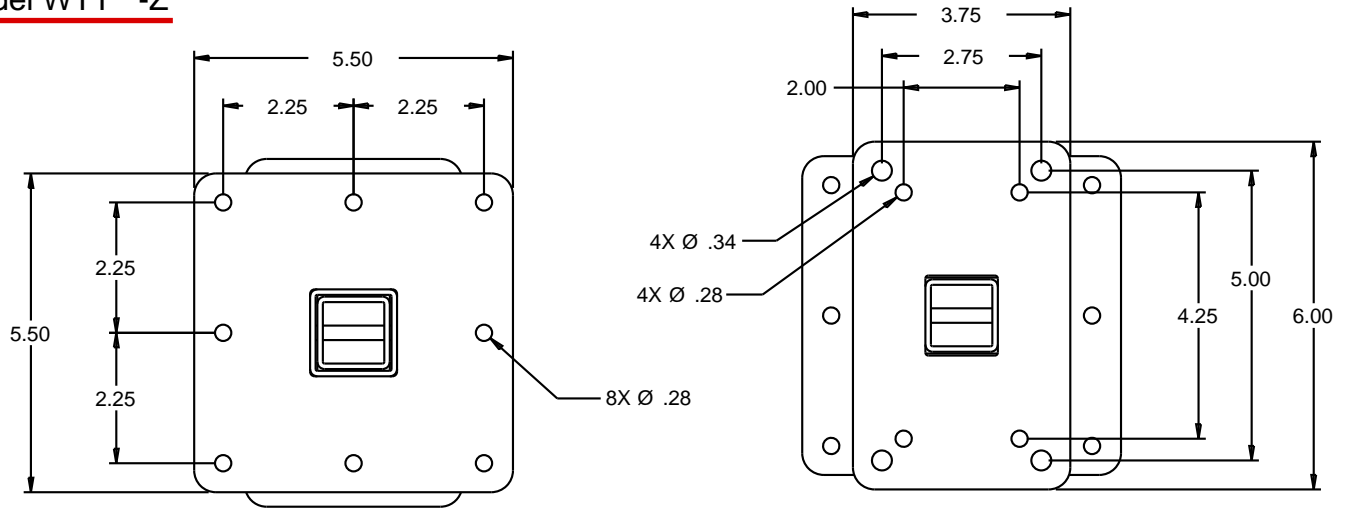
OmniMount 's Utility Hardware provides ...

- Highly engineered design-- exceeds industry load standards. Testing data available on request.
- Efficient material use means mounts that weigh less.
- High levels of quality and safety: high load ratings.
- Simple, fast installation.
- Extremely competitive overall cost.

The total package equals superior value!



# Telescoping Mount Model WTT -Z



Specifications subject to change without notice

## Architectural Specifications

**Description:** OmniMount Systems Utility Hardware, Standard Duty Telescoping Mount, Model WTT-Z

**Material:** Shall be fabricated sheet steel welded to nested square steel tubing

**Finish/Color:** All fabricated components shall be deburred prior to application of black powder coat finish.

**Load Rating:** Shall be up to 70 lbs. for wall installations

**Testing:** Shall be tested to exceed the requirements of UL® Standard 1678.

**Net Weight Each Unit:** 3 lbs.



## Key Points of Competitive Difference OmniMount Products vs The Competition

### Quality and Safety Testing

- An industry benchmark... All OmniMount metal mount components are deburred and powder coated. Tubular parts with an attached polymer ball are finished with a heavy-duty baked-on paint.
- All OmniMount products are tested in accordance with UL® Standard 1678 to exceed a minimum of four times the rated load. In many cases where we actually exceed this standard, our working load rating is based on many other factors, including field use information accumulated over years of practice by our broad customer base including contractors and professional installers.
- We are so confident of our total quality that we invite and welcome direct comparisons.

### Packaging, Shipping, Weight and Freight

- Best packaging in the industry to ensure that products arrive clean and complete to the job site and stay complete until installation... We will also support special packing needs that work with your project flow.
- OmniMount's Utility Hardware maximizes functionality and safety while minimizing weight. The reduced weight reduces freight cost and makes installation easier. Drop-shipping to specific job sites is available.
- We have found some of our competitors' hardware to be excessively heavy for the task (Heavier is not necessarily better, stronger or safer). If you use over-designed mounts you will often pay a penalty in higher component cost, higher shipping cost and slower installation. All this adds up to a higher total cost of installation.

**OmniMount's mission is to provide complete mounting solutions, not just mounting brackets.**

Item # 1000261

## Manufacturers and Marketers

- Many of our competitors outsource fabrication to job shops without fabricating anything themselves. This adds more cost with less control of quality. We design, engineer, test and manufacture in our own facility. OmniMount has made significant investments in people, facilities and equipment to be the leader in the mounting business for the "long haul."
- OmniMount is a real manufacturer, not just a marketer. In addition to standard products, our design experience and factory engineering support mean rapid response to your needs for application help as well as any requirements for customization.

### The "Industry Standard"

- The OmniMount standard for hole center spacing has been adopted by major speaker manufacturers as well as our competitors. Without actually stating it, most of our competitors acknowledge that OmniMount is the industry standard for mounting speakers.

### Communication and Customer Service

- We have digital and voice communications that support the coordination and efficiency of the entire business process from end-to-end... Sales... Customer Service... Scheduling... Production... Shipping... Technical support... Electronic Data Interchange.



**OMNIMOUNT®**  
SYSTEMS



### OmniMount Systems, Inc.

The Pointe at South Mountain  
8201 South 48th Street  
Phoenix, Arizona 85044-5355  
Voice: 480.829.8000 Fax: 480.756.9000  
email: hdqrs@omnimount.com



**OMNIMOUNT® SYSTEMS**  
**UTILITY™**  
**HARDWARE**

Telescoping Mount  
Model WTT -Z-HD

What 's the function?

Sliding tubes provide 3 depth dimensions from wall.

What makes it so easy to install?

Quick three-phase installation by one technician.

1. Wall half attaches with eight drive screws into a solid wood substrate.
2. Second half attaches to the back of the speaker or object to be mounted.
3. Mating tubes slide together and positioning/security screw is inserted.

What 's the rated load?

Mounts objects up to 125 lbs. on walls.

Where and how would I use it?

- Rectangular and pre-angled box construction speakers where depth-adjustment from wall desired.
- Custom angles available on request.
- Any object where depth adjustment from wall is desired—three positions – 6<sup>3</sup>/<sub>4</sub>" , 7<sup>3</sup>/<sub>4</sub>" , 8<sup>3</sup>/<sub>4</sub>" .

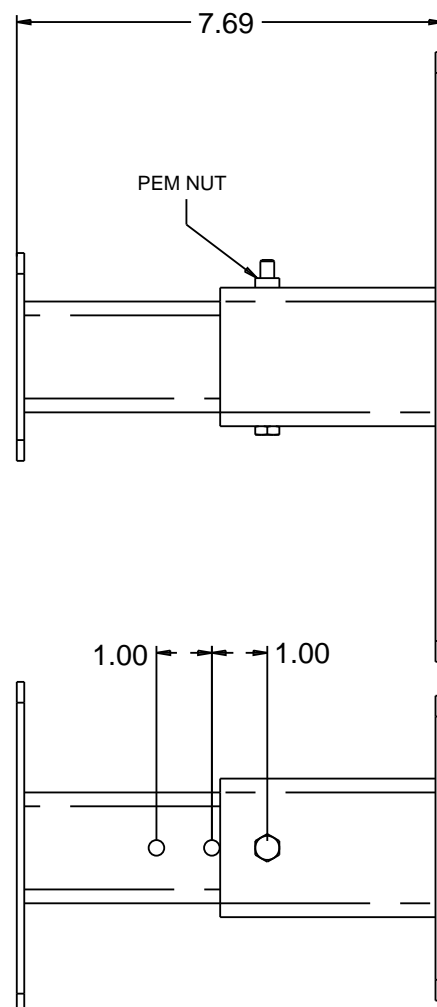
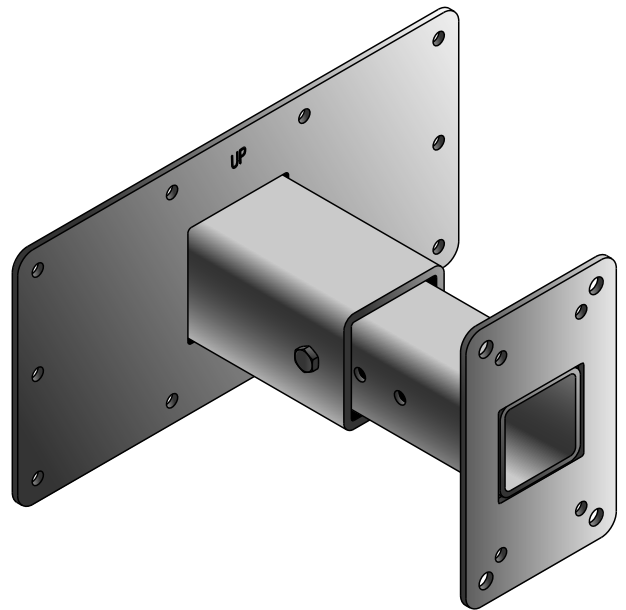
Why did OmniMount create Utility Hardware?

- The original, highly adjustable, OmniMount clamp-and-ball assembly is a "do-everything" product-- for many applications, just what you need.
- Utility Hardware gives you *only* what you need for applications where functions can be more limited.

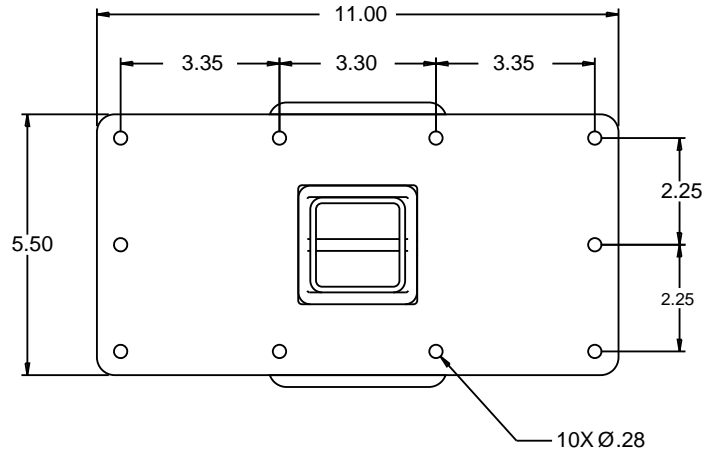
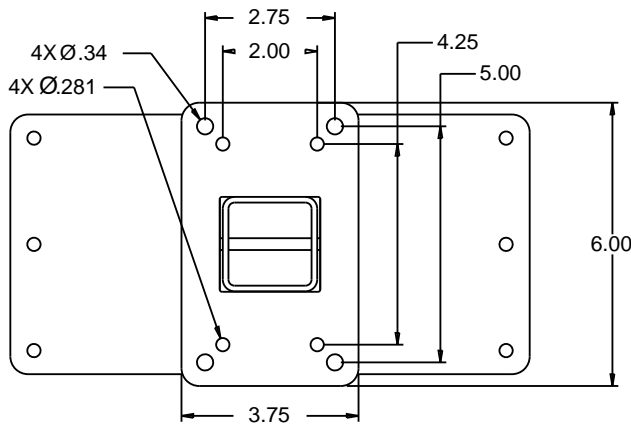
OmniMount 's Utility Hardware provides ...

- Highly engineered design-- exceeds industry load standards. Testing data available on request.
- Efficient material use means mounts that weigh less.
- High levels of quality and safety: high load ratings.
- Simple, fast installation.
- Extremely competitive overall cost.

The total package equals superior value!



# Telescoping Mount Model WTT -Z-HD



Specifications subject to change without notice

## Architectural Specifications

**Description:** OmniMount Systems Utility Hardware, Standard Duty Telescoping Mount, Model WTT-Z-HD

**Material:** Shall be fabricated sheet steel welded to nested square steel tubing

**Finish/Color:** All fabricated components shall be deburred prior to application of black powder coat finish.

**Load Rating:** Shall be up to 125 lbs. for wall installations

**Testing:** Shall be tested to exceed the requirements of UL® Standard 1678.

**Net Weight Each Unit:** 6 lbs.



## Key Points of Competitive Difference OmniMount Products vs The Competition

### Quality and Safety Testing

- An industry benchmark... All OmniMount metal mount components are deburred and powder coated. Tubular parts with an attached polymer ball are finished with a heavy-duty baked-on paint.
- All OmniMount products are tested in accordance with UL® Standard 1678 to exceed a minimum of four times the rated load. In many cases where we actually exceed this standard, our working load rating is based on many other factors, including field use information accumulated over years of practice by our broad customer base including contractors and professional installers.
- We are so confident of our total quality that we invite and welcome direct comparisons.

### Packaging, Shipping, Weight and Freight

- Best packaging in the industry to ensure that products arrive clean and complete to the job site and stay complete until installation... We will also support special packing needs that work with your project flow.
- OmniMount's Utility Hardware maximizes functionality and safety while minimizing weight. The reduced weight reduces freight cost and makes installation easier. Drop-shipping to specific job sites is available.
- We have found some of our competitors' hardware to be excessively heavy for the task (Heavier is not necessarily better, stronger or safer). If you use over-designed mounts you will often pay a penalty in higher component cost, higher shipping cost and slower installation. All this adds up to a higher *total* cost of installation.

**OmniMount's mission is to provide complete mounting solutions, not just mounting brackets.**

Item # 1000262

### Manufacturers and Marketers

- Many of our competitors outsource fabrication to job shops without fabricating anything themselves. This adds more cost with less control of quality. We design, engineer, test and manufacture in our own facility. OmniMount has made significant investments in people, facilities and equipment to be the leader in the mounting business for the "long haul."
- OmniMount is a real manufacturer, not just a marketer. In addition to standard products, our design experience and factory engineering support mean rapid response to your needs for application help as well as any requirements for customization.

### The "Industry Standard"

- The OmniMount standard for hole center spacing has been adopted by major speaker manufacturers as well as our competitors. Without actually stating it, most of our competitors acknowledge that OmniMount is the industry standard for mounting speakers.

### Communication and Customer Service

- We have digital and voice communications that support the coordination and efficiency of the entire business process from end-to-end... Sales... Customer Service... Scheduling... Production... Shipping... Technical support... Electronic Data Interchange.



**OMNI MOUNT**  
SYSTEMS



### OmniMount Systems, Inc.

The Pointe at South Mountain  
8201 South 48th Street  
Phoenix, Arizona 85044-5355  
Voice: 480.829.8000 Fax: 480.756.9000  
email: hdqrs@omnimount.com

