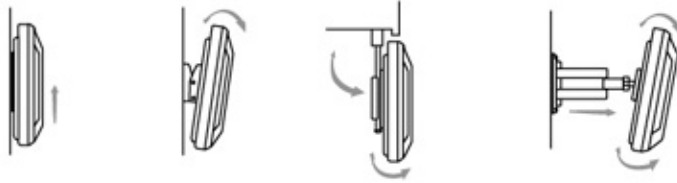


VISUAL DISPLAY™ SERIES SPECIFICATION LIST

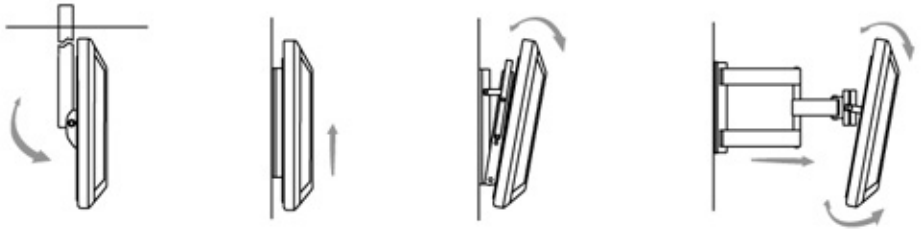
OMNIMOUNT'S COMPLETE LINE OF LCD AND PLASMA
MOUNTING SOLUTIONS

**APPLICATIONS LIMITED ONLY
BY THE IMAGINATION.**

LCD



PLASMA



**DIMENSIONS
SPECIFICATIONS**

LCD MOUNTS

Here are four exceptional designs, each one carefully engineered for reliability and to complement the clean lines of modern LCD displays.

The first is a simple fixed, security and “hot swap” mount that allows for flush mounting on any wall.

A tilt mount allows a +15 degree to -5 degree tilt for optimum viewing.

Thirdly, a flip-down mount designed for use under cabinets or shelves which allows the LCD display to be flipped up and stored when not in use.

The most flexible of the mounts, the cantilever mount, offers horizontal extension and 180-degree lateral rotation, as well as tilt and swivel functions.

Each mount is a high-specification, low-profile design that offers a quality solution to LCD mounting needs. All LCD mounts are VESA 75/100 compliant, come complete with mounting hardware, and have durable grey powder coat finishes.



PLASMA MOUNTS

Safety and reliability are key aspects of OmniMount's four plasma mounts. The added weight of plasma displays requires serious attention when it comes to mounting them securely in any given situation. These designs reflect the attention to detail and engineering expertise for which OmniMount is well known.

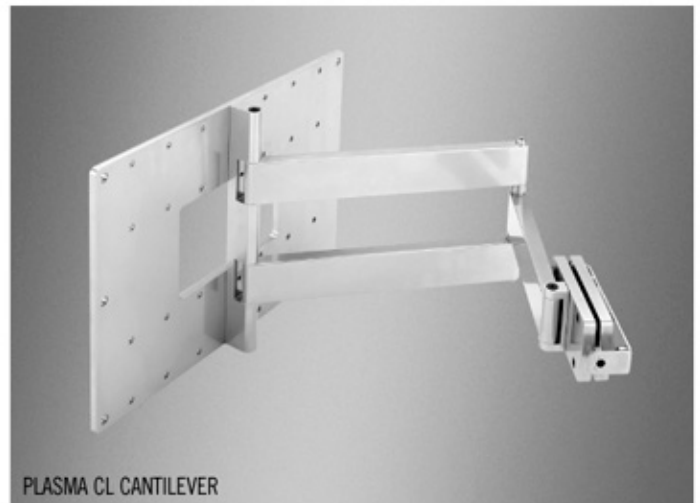
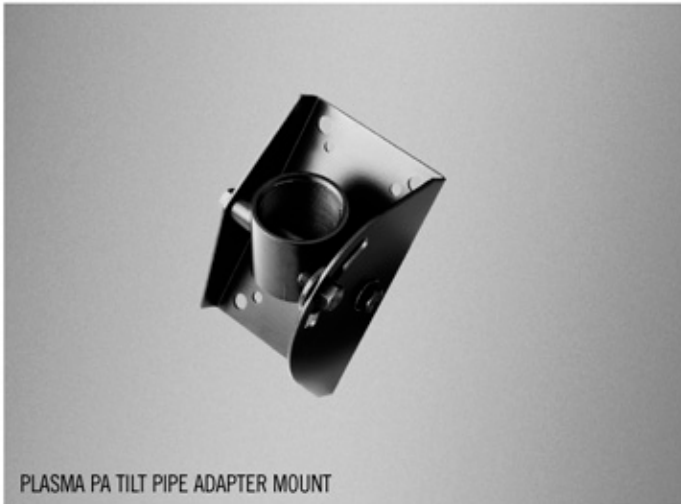
The pipe mount offers a mounting point for new or existing pipe drops from foundation ceilings.

The simplest of the mounts is an over-specified fixed, security and "hot swap" wall mount designed to allow simple flush-with-the-wall installation.

A rugged tilt mount allows +20 degrees of forward tilt for optimum viewing.

The OmniMount plasma cantilever is a stunning piece of engineering. Like the LCD cantilever it allows horizontal extension, 180-degree lateral rotation, and tilt and swivel for optimum viewing. More than just mounting hardware, the cantilever has a tactile quality that enhances the high technology look and lines of any plasma installation.

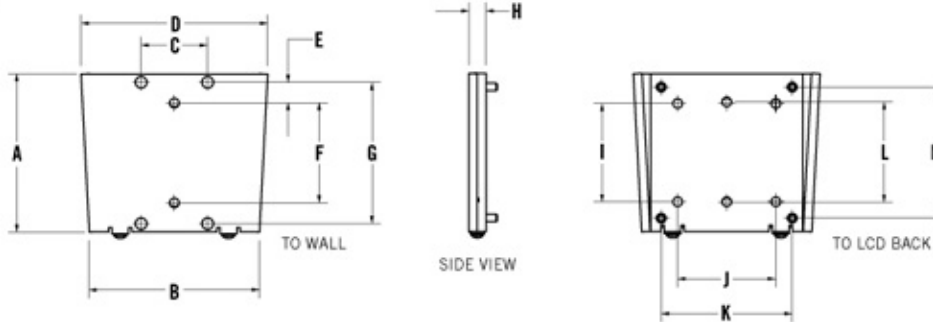
Each plasma mount will require a product-specific adapter plate to mount virtually any plasma display. Hardware is supplied with all mounts and a powder coat finish ensures a long-lasting and handsome appearance.



LCD MOUNTS

QM100 F LCD FIXED MOUNT

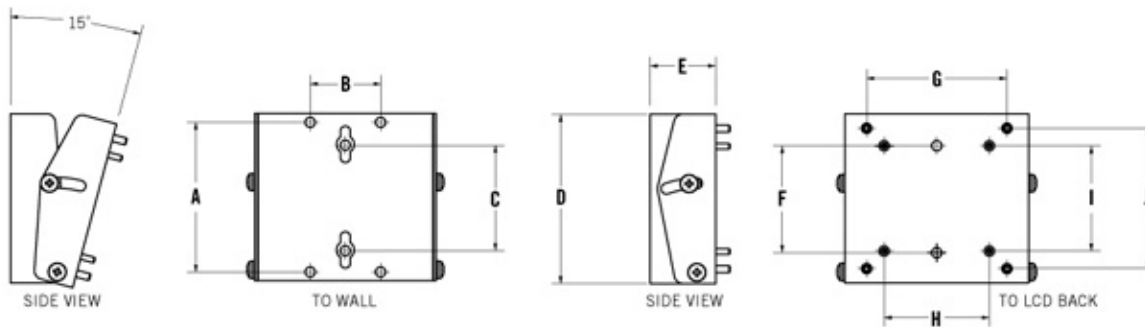
- Slide together quick mount for LCD panels
- Designed to easily install LCD panels on walls
- "Hot swap" capable
- Add to tilt, flip down and cantilever for "hot swap" capability
- Will accept security hardware
- VESA 75/100 compliant
- 40-lb. maximum



DIMENSIONS		
A	4.75"	120.65 mm
B	5.11"	129.79 mm
C	2.00"	50.80 mm
D	5.60"	142.24 mm
E	0.62"	15.74 mm
F	3.00"	76.20 mm
G	4.25"	107.95 mm
H	0.52"	13.21 mm
I	2.95"	75.00 mm
J	2.95"	75.00 mm
K	3.94"	100.00 mm
L	3.94"	100.00 mm
M	3.02"	76.71 mm
N	3.94"	100.00 mm

QM100 T LCD TILT MOUNT

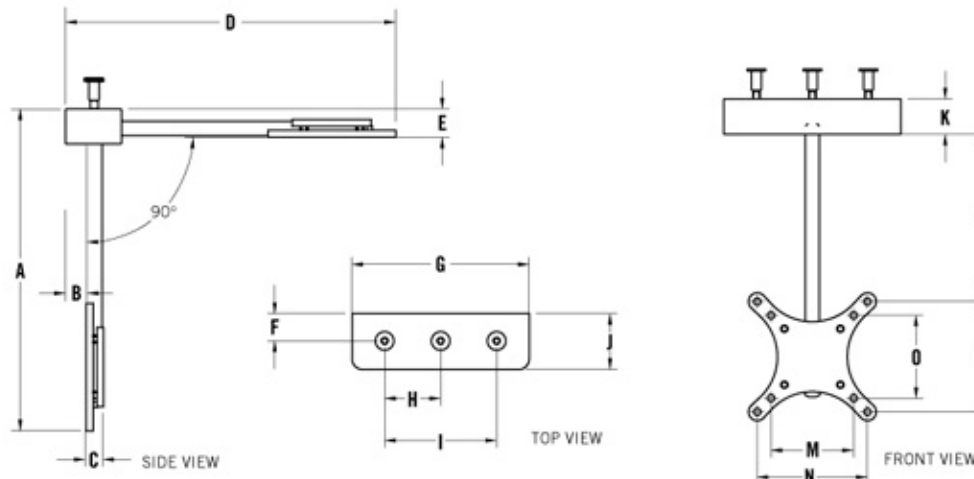
- Tilting wall mount for LCD panels
- Allows +15° and -5° tilt for optimum viewing (may be inverted)
- Easy and quick installation
- VESA 75/100 compliant
- 40-lb. maximum



DIMENSIONS		
A	4.75"	120.65 mm
B	2.00"	50.80 mm
C	3.00"	76.20 mm
D	4.75"	120.65 mm
E	1.84"	46.70 mm
F	3.00"	76.20 mm
G	3.94"	100.00 mm
H	2.95"	75.00 mm
I	2.95"	75.00 mm
J	3.94"	100.00 mm

75/100 FD LCD FLIP DOWN MOUNT

- Flip down/under the cabinet mount for LCD panels
- Allows LCDs to be flipped up and stored when not in use
- Allows for tilt and swivel of LCD panel for optimum viewing
- VESA 75/100 compliant
- 40-lb. maximum



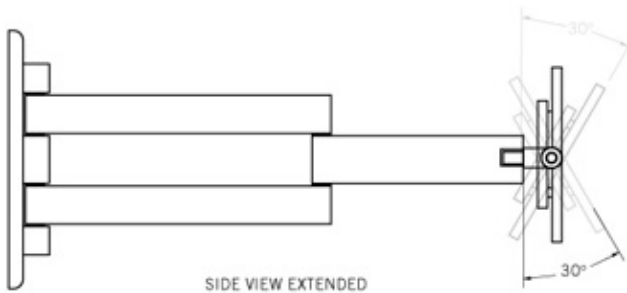
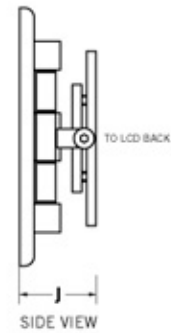
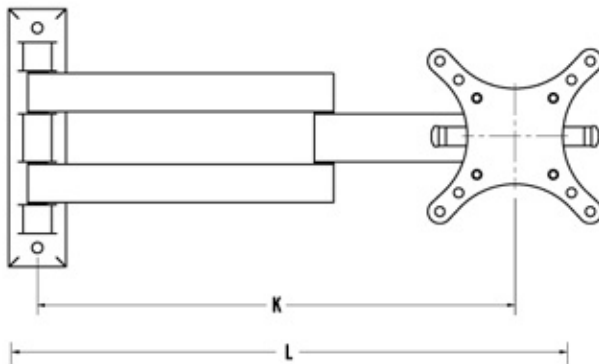
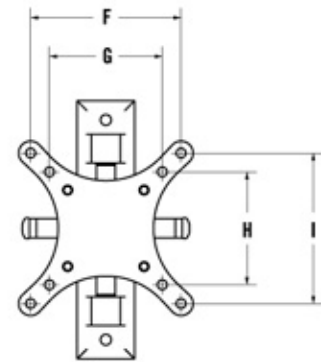
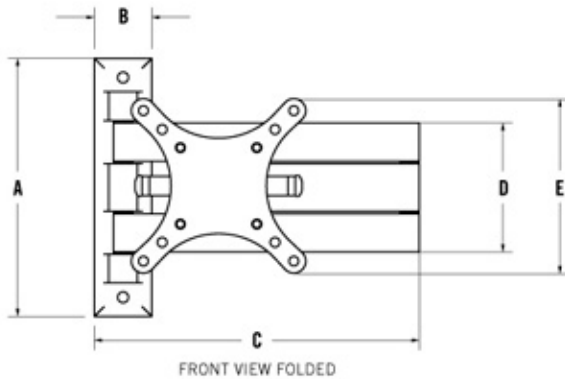
DIMENSIONS		
A	11.48"	289.56 mm
B	.71"	129.79 mm
C	.62"	15.78 mm
D	11.80"	299.72 mm
E	1.01"	25.65 mm
F	.98"	24.89 mm
G	6.32"	160.53 mm
H	2.00"	50.80 mm
I	4.00"	101.60 mm
J	2.00"	50.80 mm
K	1.25"	31.75 mm
L	5.98"	151.89 mm
M	2.95"	75.00 mm
N	3.94"	100.00 mm
O	2.95"	75.00 mm
P	3.94"	100.00 mm

LCD MOUNTS

75/100 CL LCD CANTILEVER MOUNT

- Cantilever arm mount for LCD panels
- Allows maximum flexibility for installing and viewing your LCD display
- Arm allows extension and 180° lateral rotation for viewing from multiple locations
- Allows tilt and swivel for optimum viewing
- VESA 75/100 compliant
- 30-lb. maximum

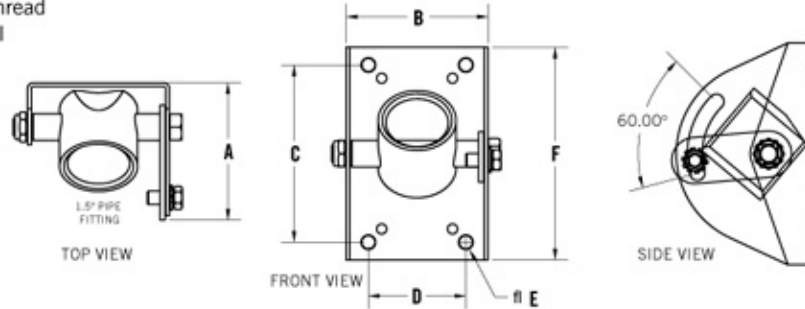
DIMENSIONS		
A	6.75"	171.45 mm
B	1.50"	38.10 mm
C	8.50"	215.90 mm
D	3.38"	85.85 mm
E	4.56"	115.82 mm
F	3.94"	100.00 mm
G	2.95"	75.00 mm
H	2.95"	75.00 mm
I	3.94"	100.00 mm
J	2.00"	50.80 mm
K	12.50"	317.50 mm
L	14.50"	368.30 mm



PLASMA MOUNTS

TILT PA TILT PIPE ADAPTER MOUNT

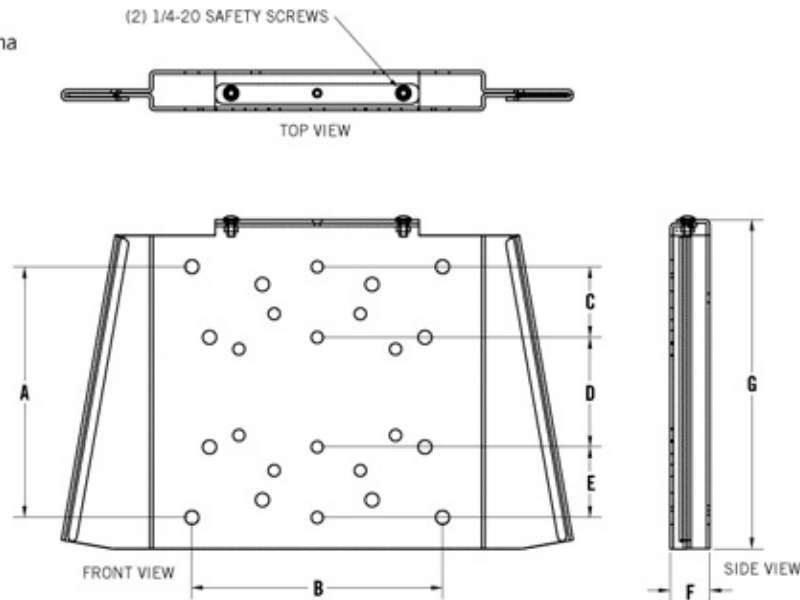
- Provides a mounting point for new/existing pipe drops from ceiling or rafters
- Perfect for conference/board rooms
- Fits 1-1/2" standard (NPT) pipe thread
- Allows 45/15° tilt of plasma panel for optimum viewing
- Durable powder coat finish
- May be used in conjunction with QM300F for "hot swap" capability
- 175-lb. maximum



DIMENSIONS		
A	3.87"	98.29 mm
B	4.00"	101.60 mm
C	5.00"	127.00 mm
D	2.75"	69.85 mm
E	.375"	9.52 mm
F	6.00"	152.40 mm

QM300 F FIXED MOUNT

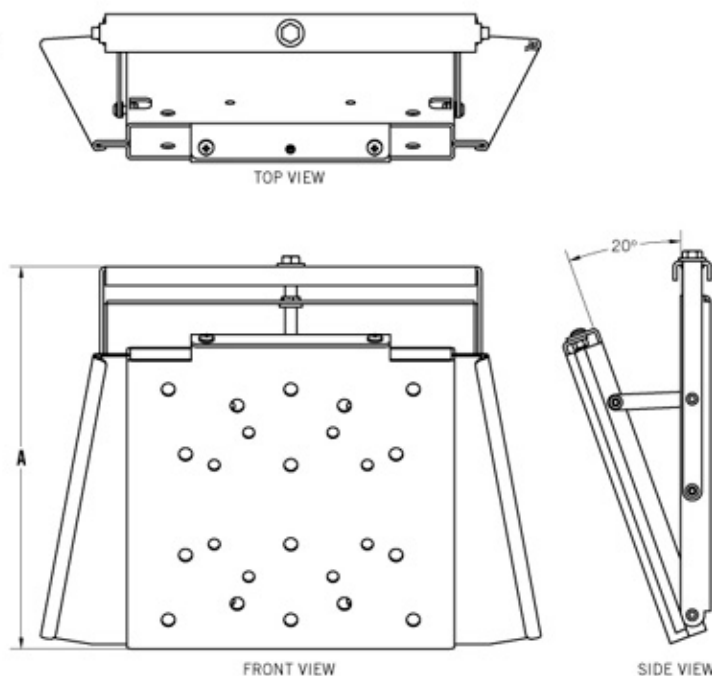
- Slide together quick mount for plasma panels
- Designed to easily install plasma panels on the wall
- "Hot swap" capability
- Will accept security hardware
- 175-lb. maximum



DIMENSIONS		
A	8.00"	203.20 mm
B	8.00"	203.20 mm
C	2.25"	57.15 mm
D	3.50"	88.90 mm
E	2.25"	57.15 mm
F	1.27"	32.25 mm
G	10.50"	266.70 mm

QM300 T TILT MOUNT

- Tilting wall mount for plasma panels
- Allows 20° of forward tilt for optimum viewing
- "Hot swap" capability
- Will accept security hardware
- 175-lb. maximum



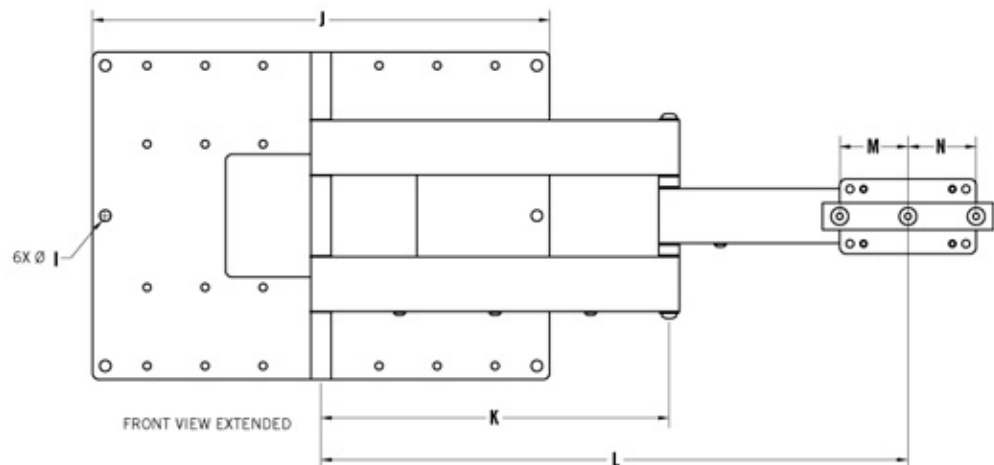
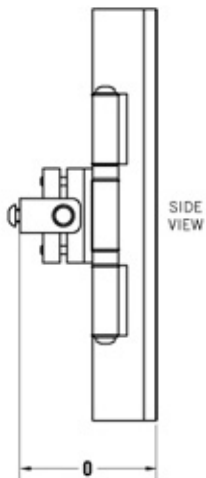
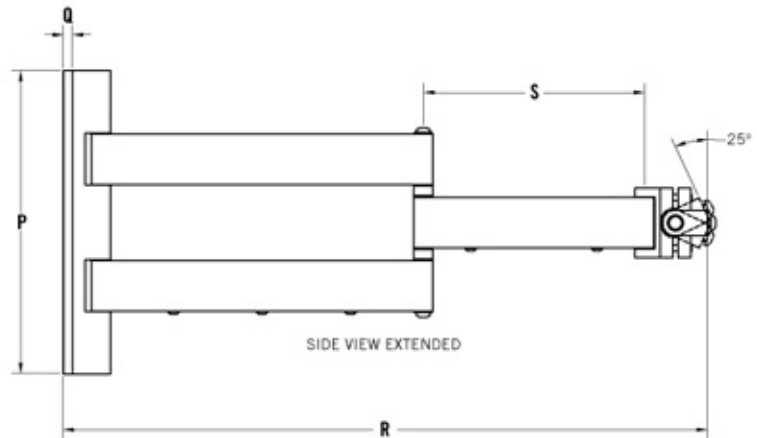
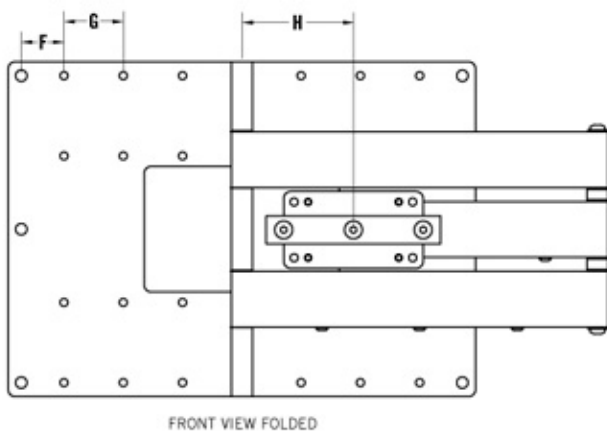
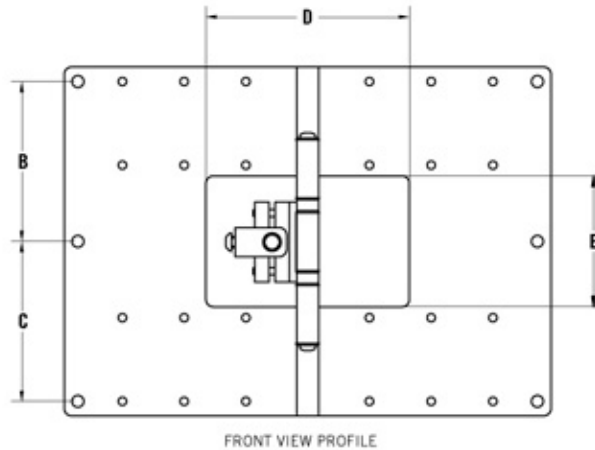
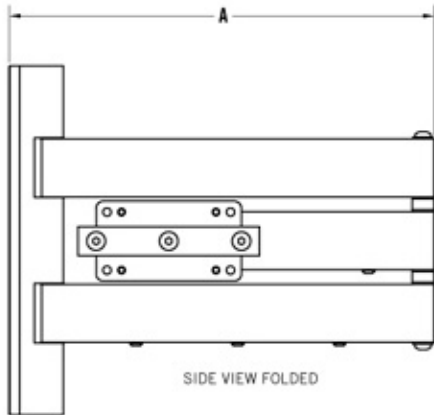
DIMENSIONS		
A	12.47"	316.74 mm

PLASMA MOUNTS

PLASMA CL CANTILEVER MOUNT

- Cantilever arm mount for plasma panels
- Allows maximum flexibility for installing and viewing your plasma display
- Arm allows extension and 180° lateral rotation for viewing from multiple locations
- Tilt and swivel at arm end for optimum viewing
- Durable powder coat finish
- 150-lb. maximum

DIMENSIONS		
A	14.60"	370.84 mm
B	5.50"	139.70 mm
C	5.50"	139.70 mm
D	7.00"	177.80 mm
E	4.50"	114.30 mm
F	1.53"	38.86 mm
G	2.13"	54.10 mm
H	4.00"	101.60 mm
I	0.41"	10.41 mm
J	16.75"	425.45 mm
K	12.75"	323.85 mm
L	22.00"	558.80 mm
M	2.50"	63.50 mm
N	2.50"	63.50 mm
O	3.97"	100.83 mm
P	12.00"	304.80 mm
Q	0.38"	9.65 mm
R	25.50"	647.70 mm
S	8.75"	222.25 mm

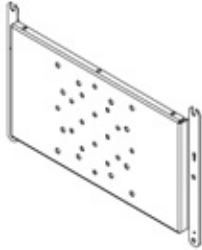


PLASMA ADAPTER PLATES

SAMPLE REPRESENTATIONS

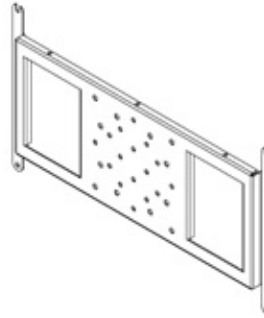
42" PLASMA ADAPTER EXAMPLE

PLASMA ADAPTER PLATES FOR
PLASMA DISPLAYS UP TO 42"



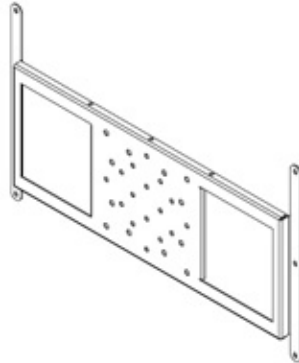
50" PLASMA ADAPTER EXAMPLE

PLASMA ADAPTER PLATES FOR
PLASMA DISPLAYS UP TO 50"

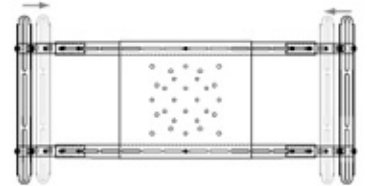
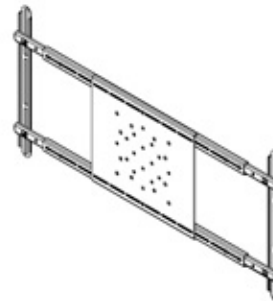


60" PLASMA ADAPTER EXAMPLE

PLASMA ADAPTER PLATES FOR
PLASMA DISPLAYS UP TO 60"



PLAD-UM 1 UNIVERSAL ADAPTER PLATE MOUNT

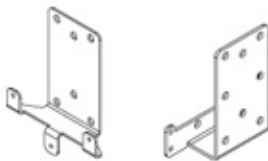


ADAPTER PLATES ARE MANUFACTURER MODEL SPECIFIC AND MAY LOOK DIFFERENT FROM IMAGES ABOVE. PLEASE CHECK WWW.OMNIMOUNT.COM FOR CROSS REFERENCE CHART

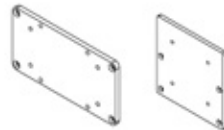
LCD ADAPTER PLATES

NON-VESA STANDARD

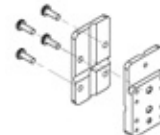
LCD ADAPTER PLATES FOR
PANASONIC SCREENS



LCD ADAPTER PLATES FOR
PHILLIPS SCREENS



LCD ADAPTER PLATES FOR
SHARP SCREENS



LCD ADAPTER PLATES FOR
ZENITH SCREENS



ADAPTER PLATES ARE MANUFACTURER MODEL SPECIFIC AND MAY LOOK DIFFERENT FROM IMAGES ABOVE.
OMNIMOUNT CARRIES A LINE OF ADAPTER PLATES FOR MANUFACTURER MODEL-SPECIFIC DISPLAYS THAT ARE NON-VESA 100/75 STANDARD.
CONTACT OMNIMOUNT FOR A COMPLETE LIST



OmniMount Systems, Inc.
The Pointe at South Mountain
8201 South 48th Street
Phoenix, Arizona 85044-5355
1-800-MOUNT-IT www.omnimount.com