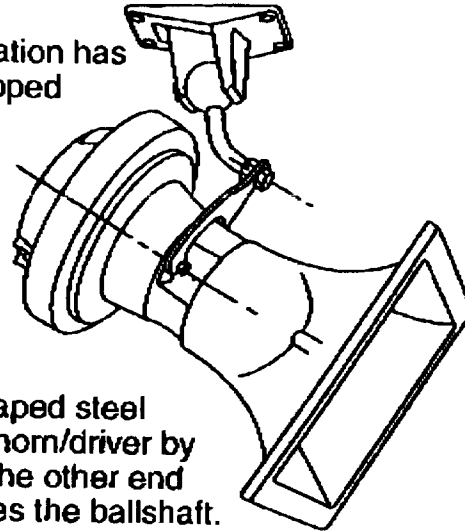


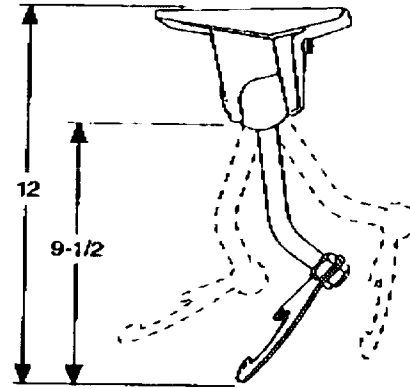
# Universal Driver Mounts

**UDM:**

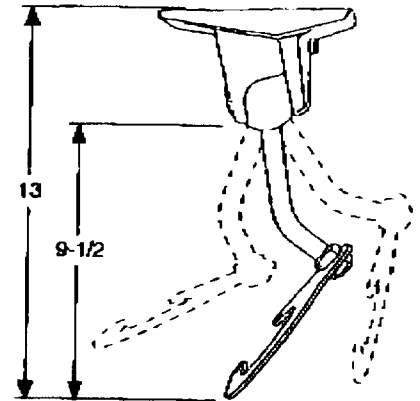
This mounting configuration has been specifically developed for the easy installation and quick alignment of professional horn/driver loudspeakers--as used in stadiums and arenas, churches, etc. and for concert sound reinforcement.



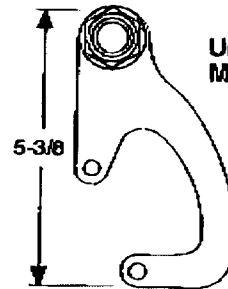
One end of the claw-shaped steel plate is attached to the horn/driver by two mounting screws. The other end of the steel plate receives the ballshaft. The ballshaft is formed at a 45° angle to maximize precise focusing position. The claw-plate attaches at the top face of the horn flange and bolts directly into the driver housing—with no compromising of the mating surfaces. Adapters and other accessories are also available for added installation flexibility.



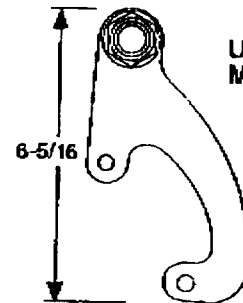
The Model 100 UDM-1 fits horn/driver combinations using a 2-1/4" ball circle with 3 holes on 120° centers



The Model 100 UDM-2 fits horn/driver combinations using a 4" ball circle with 4 holes on 90° centers



**UDM-1**  
Mounting Plate



**UDM-2**  
Mounting Plate

**OmniMount® Systems, Inc • The Pointe at South Mountain**  
 8201 South 48th Street • Phoenix, Arizona 85044-5355  
 Voice: (602) 829-8000 • Fax: (602) 756-9000  
 email: [hdqrs@omnimount.com](mailto:hdqrs@omnimount.com) • Web: [www.omnimount.com](http://www.omnimount.com)  
 Technical Support – Toll Free: 1-800-MOUNT-IT! (668-6848)

©Copyright 1998, OmniMount Systems, Inc. All rights reserved. OmniMount products are covered by patents issued and/or pending. OmniMount is a registered trademark of OmniMount Systems, Inc. RadioShack and Optimus are registered trademarks used by Tandy Corporation. Dolby Digital is a registered trademark of Dolby Laboratories Licensing Corporation. OmniMount products are manufactured in the U.S.A. RSU 6/98, Part#000893 rev.1 Printed in the U.S.A.