

## UNIVERSAL PROJECTOR MOUNT

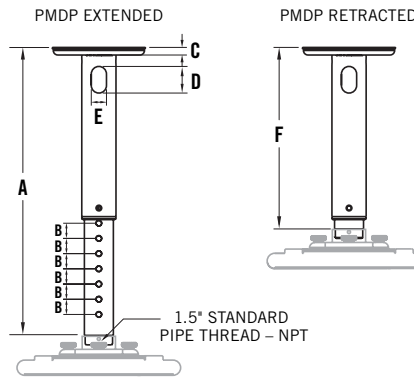
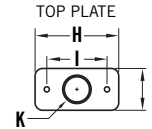
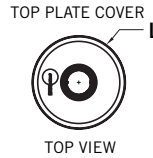
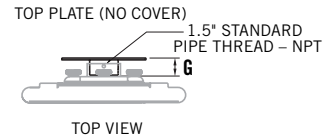
- Universal grid mounting system fits virtually all projector types
- Mount can be rotated for use with wide or narrow projector styles
- Slide-together mounting plates for quick installation/removal
- Integral cable management
- Built-in leveling plate adjusts image tilt and pitch
- Accepts security hardware to prevent theft
- Durable grey powder coat finish

## PMD-1 UNIVERSAL PROJECTOR MOUNT

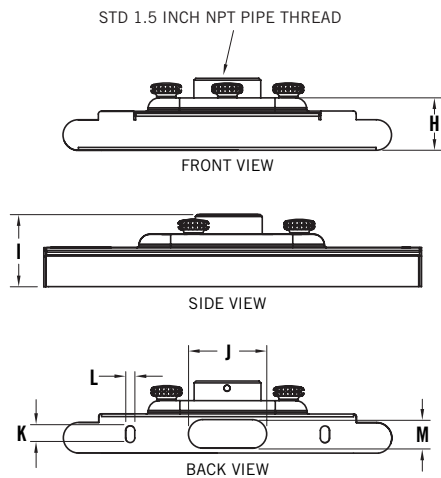
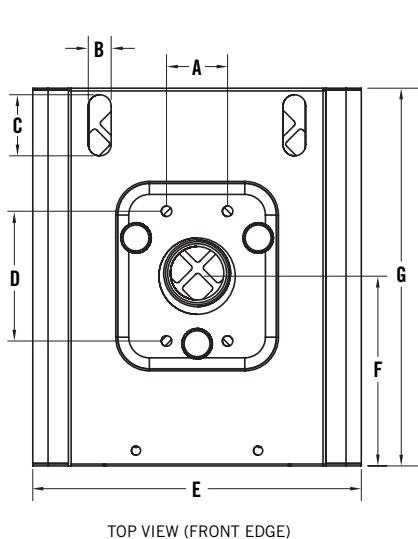
- 30 lb. maximum weight capacity
- Designed for small projectors
- Maximum mounting footprint 9" x 11"

## PMD-2 UNIVERSAL PROJECTOR MOUNT

- 40 lb. maximum weight capacity
- Designed for medium projectors
- Maximum mounting footprint 11½" x 13½"



PMDP DIMENSIONS		
A	18.94"	481.08 mm
B	1.00"	25.40 mm
C	0.50"	12.70 mm
D	1.75"	44.45 mm
E	1.00"	25.40 mm
F	11.94"	303.28 mm
G	1.18"	29.97 mm
H	5.50"	139.70 mm
I	3.96"	100.58 mm
J	2.75"	69.85 mm
K	1.65"	41.91 mm
L	6.12"	155.45 mm



PMD-1 DIMENSIONS		
A	2.00"	50.80 mm
B	.750"	19.05 mm
C	2.00"	50.80 mm
D	4.25"	107.95 mm
E	10.76"	273.30 mm
F	6.21"	157.84 mm
G	12.37"	314.22 mm
H	1.72"	43.59 mm
I	2.37"	60.20 mm
J	2.56"	65.07 mm
K	.549"	13.95 mm
L	.299"	7.59 mm
M	.937"	23.80 mm

PMD-2 DIMENSIONS		
A	2.00"	50.80 mm
B	.750"	19.05 mm
C	2.00"	50.80 mm
D	4.25"	107.95 mm
E	13.50"	342.90 mm
F	7.20"	182.88 mm
G	15.00"	381.00 mm
H	1.72"	43.56 mm
I	2.37"	60.20 mm
J	2.56"	65.07 mm
K	.549"	13.95 mm
L	.299"	7.59 mm
M	.937"	23.80 mm

HARDWARE KIT	
Qty	Description
4	Phillips screws M5 x 30mm
4	Phillips screws M4 x 30mm
4	Phillips screws M3 x 30mm
8	Fender washers 1.25 x .28

HARDWARE KIT	
Qty	Description
4	Phillips screws M6 x 30mm
4	Phillips screws M5 x 30mm
4	Phillips screws M4 x 30mm
8	Fender washers 1.25 x .28