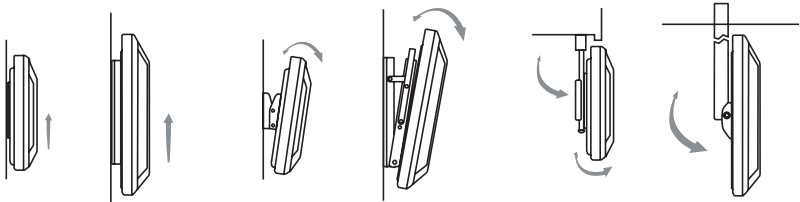
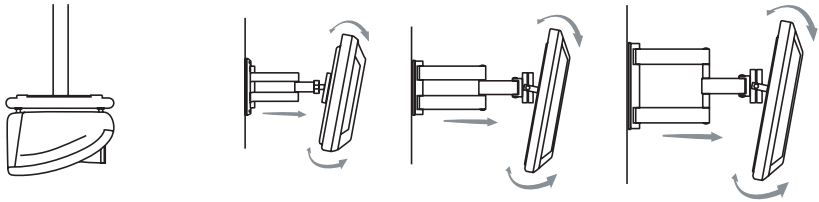


VISUAL DISPLAY™ SERIES
FLAT PANEL AND PROJECTOR
MOUNT SPECIFICATIONS

OMNIMOUNT'S COMPLETE LINE OF FLAT PANEL (LCD
AND PLASMA) AND PROJECTOR MOUNTING SOLUTIONS

APPLICATIONS LIMITED ONLY BY THE IMAGINATION



FEATURES
DIMENSIONS
SPECIFICATIONS

VISUAL DISPLAY MOUNTS

Overview

OmniMount offers a complete line of mounts for any type of visual display, including flat panel displays from the smallest LCD panel to the largest and plasma panel, as well as for a huge variety of LCD and DLP projectors. These OmniMount visual display designs are specifically engineered for reliability, usability and also to complement the clean lines of today's vast array of visual display devices.

LCD panels, once confined to the role of small television or computer displays, are getting larger (up to 40") and more sophisticated. Plasma displays, due to market growth and production efficiencies, are becoming less expensive, and now include a wide range of sizes (30" to 61").

Because of this product crossover, the best way to select the proper mount for any flat panel display installation is by matching the weight of the display (and its accessories) to the weight capacity of the mount.

OmniMount produces two universal projector mounts for small to medium sized projectors, and three primary types of flat panel display mounts: fixed, tilt and cantilever. In addition, we produce two specialty flat panel mounts, the flip down mount and the tilt pipe adapter.

Projector Mounts

The new PMD-1 and PMD-2 projector mounts from OmniMount are a breakthrough in elegance of design and simplicity of installation. Both models feature a universal grid mounting system that fits virtually any small or medium-sized projector on the market.

Using two slide-together mounting plates, the PMD mounts can be rotated for use with wide or narrow projector styles, and come standard with a 1½" pipe collar. Once mounted, image tilt and pitch can be adjusted by the built-in leveling plate, and the projector can be locked in place for security. The sliding plate design allows projector removal without affecting the image adjustments, and the PMD mounts also include cable management integrated with a variable length pipe and dedicated ceiling plate.

Primary Flat Panel Mounts

Fixed Mounts

Our fixed mounts are incredibly easy to install, and feature

a low-profile, sliding plate design that places the display very close to the wall for a clean look, while also providing a unique combination of simplicity and security.

Tilt Mounts

Two tilt mounts are available; both allow for the use of security hardware, and provide simplicity of installation combined with enough tilt capability to optimize viewing for any flat panel display.

Cantilever Mounts

The OmniMount cantilever mounts are stunning pieces of engineering, and are the most flexible mounts for flat panel displays. The cantilever mounts offer maximum adjustability, including horizontal extension, 180° of lateral rotation, as well as full swivel and tilt capabilities. More than just mounting hardware, these cantilever mounts have a tactile quality that enhances the high technology aspects of any flat panel installation.

Specialty Flat Panel Mounts

Flip Down Mount

The flip down mount is designed to hang an LCD display underneath a cabinet or shelf. This provides for a clean countertop and allows the display to be flipped up and stored when not in use.

Tilt Pipe Mount

The tilt pipe mount offers a simplified mounting point for new or existing pipe drops. In addition, these mounts can be used in pairs to provide a level drop from vaulted or cathedral ceilings.

Mounting Considerations

All of our mounts come complete with the necessary mounting hardware, and feature a durable powder coat finish.

All OmniMount LCD mounts are VESA 75/100 compliant. Displays that are not VESA compliant, such as some large LCD displays and virtually all plasma displays, will require the use of an adapter plate. OmniMount produces a series of product-specific adapter plates for both LCD and plasma displays. In addition, OmniMount produces a universal adapter that fits most plasma displays on the market.

UNIVERSAL PROJECTOR MOUNT

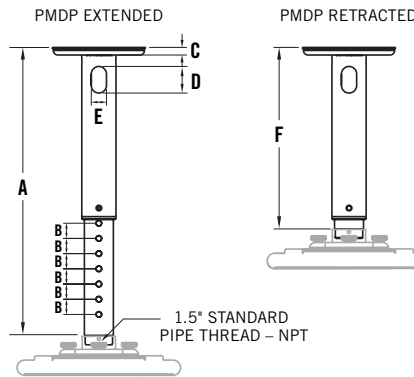
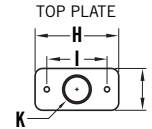
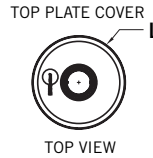
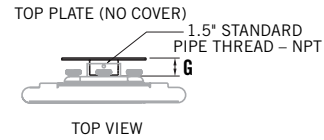
- Universal grid mounting system fits virtually all projector types
- Mount can be rotated for use with wide or narrow projector styles
- Slide-together mounting plates for quick installation/removal
- Integral cable management
- Built-in leveling plate adjusts image tilt and pitch
- Accepts security hardware to prevent theft
- Durable grey powder coat finish

PMD-1 UNIVERSAL PROJECTOR MOUNT

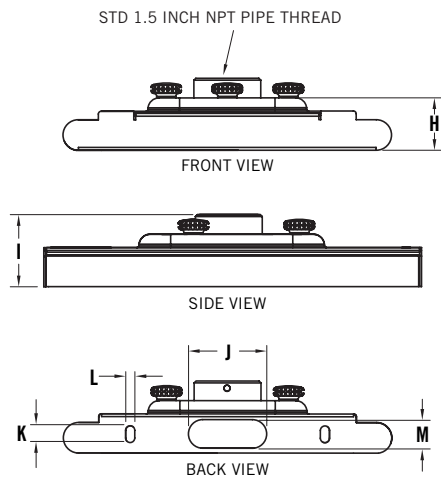
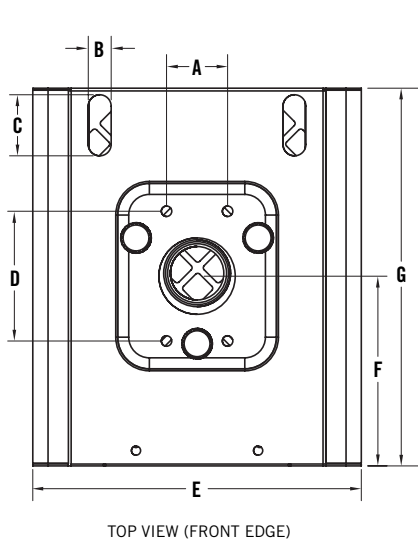
- 30 lb. maximum weight capacity
- Designed for small projectors
- Maximum mounting footprint 9" x 11"

PMD-2 UNIVERSAL PROJECTOR MOUNT

- 40 lb. maximum weight capacity
- Designed for medium projectors
- Maximum mounting footprint 11½" x 13½"



PMDP DIMENSIONS		
A	18.94"	481.08 mm
B	1.00"	25.40 mm
C	0.50"	12.70 mm
D	1.75"	44.45 mm
E	1.00"	25.40 mm
F	11.94"	303.28 mm
G	1.18"	29.97 mm
H	5.50"	139.70 mm
I	3.96"	100.58 mm
J	2.75"	69.85 mm
K	1.65"	41.91 mm
L	6.12"	155.45 mm



PMD-1 DIMENSIONS		
A	2.00"	50.80 mm
B	.750"	19.05 mm
C	2.00"	50.80 mm
D	4.25"	107.95 mm
E	10.76"	273.30 mm
F	6.21"	157.84 mm
G	12.37"	314.22 mm
H	1.72"	43.59 mm
I	2.37"	60.20 mm
J	2.56"	65.07 mm
K	.549"	13.95 mm
L	.299"	7.59 mm
M	.937"	23.80 mm

PMD-2 DIMENSIONS		
A	2.00"	50.80 mm
B	.750"	19.05 mm
C	2.00"	50.80 mm
D	4.25"	107.95 mm
E	13.50"	342.90 mm
F	7.20"	182.88 mm
G	15.00"	381.00 mm
H	1.72"	43.56 mm
I	2.37"	60.20 mm
J	2.56"	65.07 mm
K	.549"	13.95 mm
L	.299"	7.59 mm
M	.937"	23.80 mm

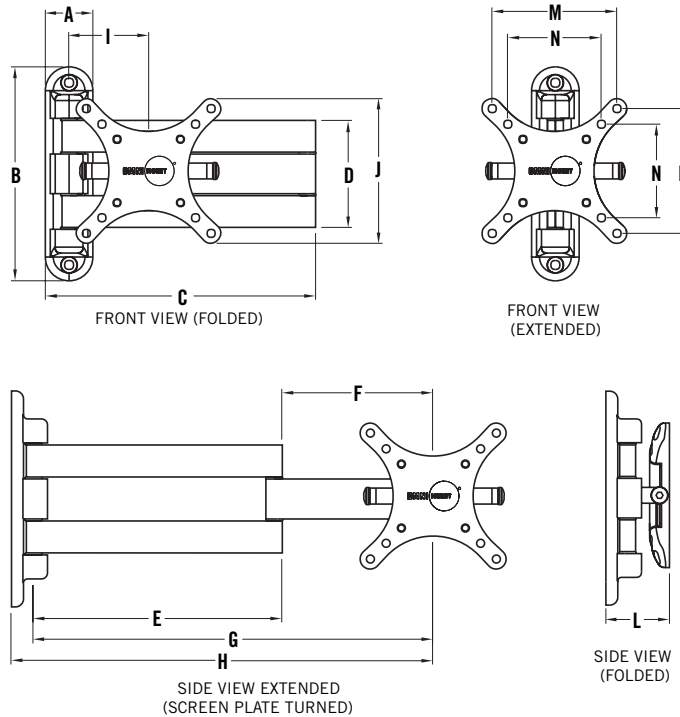
HARDWARE KIT	
Qty	Description
4	Phillips screws M5 x 30mm
4	Phillips screws M4 x 30mm
4	Phillips screws M3 x 30mm
8	Fender washers 1.25 x .28

HARDWARE KIT	
Qty	Description
4	Phillips screws M6 x 30mm
4	Phillips screws M5 x 30mm
4	Phillips screws M4 x 30mm
8	Fender washers 1.25 x .28

CANTILEVER MOUNTS

75/100 CL CANTILEVER MOUNT

- 30 lb. maximum weight capacity
- VESA 75/100 compliant
- Cantilever arm mount for LCD panels
- Allows maximum flexibility for installing and viewing LCD displays
- Cantilever arm provides full extension and 180° of lateral rotation for viewing from multiple locations
- Nesting arm design allows display to be folded parallel to wall
- Provides full tilt and swivel capabilities for optimum viewing
- Durable grey powder coat finish
- Single stud mounting

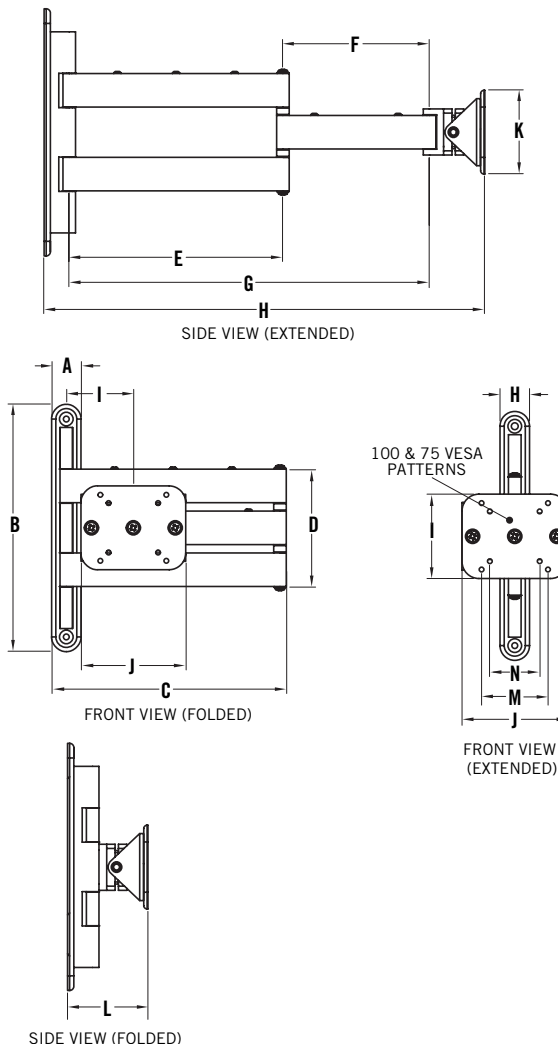


DIMENSIONS		
A	1.50"	38.10 mm
B	6.75"	171.45 mm
C	8.53"	216.59 mm
D	3.38"	85.73 mm
E	7.77"	197.36 mm
F	4.71"	119.74 mm
G	12.50"	317.5 mm
H	13.17"	334.52 mm
I	2.62"	66.55 mm
J	4.55"	115.57 mm
K	XXX"	XXX mm
L	1.65"	41.91 mm
M	3.94"	100.08 mm
N	2.95"	74.93 mm

HARDWARE KIT	
Qty	Description
4	Phillips screws M4 x 8mm
4	Phillips screws M5 x 8mm
4	Phillips screws M4 x 12mm
4	Phillips screws M5 x 12mm
1	Allen wrench 3/16 x 4 1/2
1	Allen wrench 5/32 x 4 3/4
2	Phillips wood screws #12 x 2 1/2"

FP CL FLAT PANEL CANTILEVER MOUNT

- 80 lb. maximum weight capacity
- VESA 75/100 compliant
- Cantilever arm mount for large LCD and small plasma panels
- Allows maximum flexibility for installing and viewing displays
- Cantilever arm provides full extension and 180° of lateral rotation for viewing from multiple locations
- Nesting arm design allows display to be folded parallel to wall
- Provides full tilt and swivel capabilities for optimum viewing
- Durable grey powder coat finish
- Single stud mounting

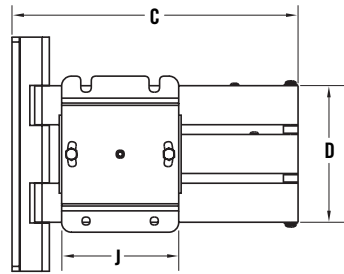


DIMENSIONS		
A	1.75"	44.45 mm
B	14.75"	374.65 mm
C	14.50"	368.30 mm
D	7.00"	177.80 mm
E	13.50"	342.90 mm
F	8.75"	222.25 mm
G	21.52"	546.61 mm
H	26.87"	682.50 mm
I	4.00"	101.60 mm
J	6.00"	152.40 mm
K	4.75"	120.65 mm
L	3.75"	95.25 mm
M	3.94"	100.08 mm
N	2.95"	74.93 mm

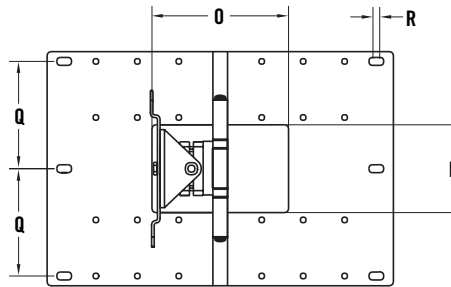
HARDWARE KIT	
Qty	Description
2	Lag screws 5/16 x 3 1/2"
2	Washers 5/16ID x 11/16OD
4	Phillips screws M4 x 8mm
4	Phillips screws M5 x 8mm
4	Phillips screws M4 x 12mm
4	Phillips screws M5 x 12mm
4	Phillips machine screws 1/4-20 x 1/2
1	Allen wrench 3/16 x 4 1/2
1	Allen wrench 5/32 x 4 3/4
1	Allen wrench 7/32 x 4 3/4

PLASMA CL CANTILEVER MOUNT

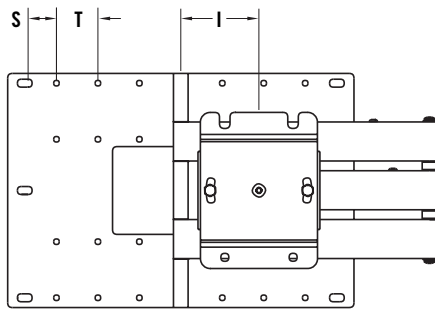
- 150 lb. maximum weight capacity
- Cantilever arm mount for large plasma panels
- Allows maximum flexibility for installing and viewing displays
- Horizontal leveling adjustment (20° range, ±10°)
- Cantilever arm provides full extension and 180° of lateral rotation for viewing from multiple locations
- Nesting arm design allows display to be folded parallel to wall
- Provides full tilt and swivel capabilities for optimum viewing
- Quick mount capability with PLAD UM-1
- Durable grey or black powder coat finish



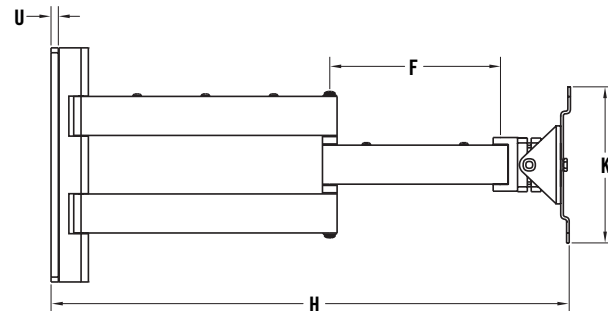
SIDE VIEW (1/2 EXTENSION)



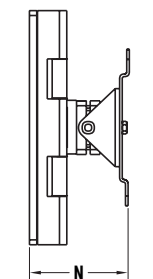
FRONT VIEW WALL PLATE



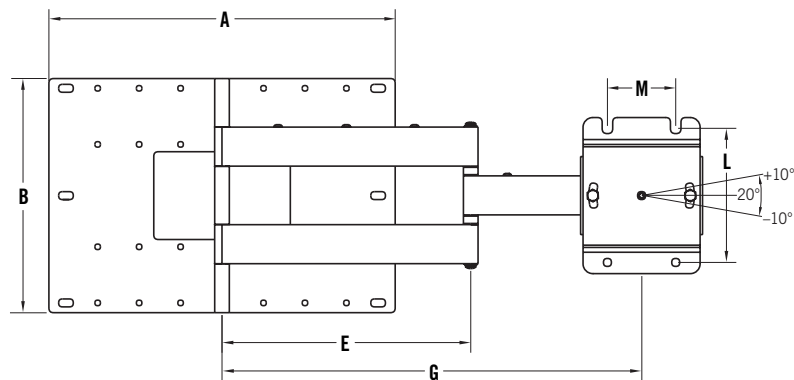
FRONT VIEW FOLDED (WITH WALL PLATE)



SIDE VIEW (FULL EXTENSION)



SIDE VIEW FOLDED



FRONT VIEW EXTENDED

DIMENSIONS

Letter	Value	Value (mm)
A	17.00"	431.80 mm
B	12.00"	304.80 mm
C	14.25"	361.95 mm
D	7.00"	177.80 mm
E	13.50"	342.90 mm
F	8.75"	222.25 mm
G	21.52"	546.61 mm
H	26.87"	682.50 mm
I	4.00"	101.60 mm
J	6.00"	152.40 mm
K	8.00"	203.20 mm
L	6.87"	174.50 mm
M	3.50"	88.90 mm
N	5.06"	128.52 mm
O	7.00"	177.80 mm
P	4.50"	114.30 mm
Q	5.50"	139.70 mm
R	.75"	19.05 mm
S	1.75"	44.45 mm
T	2.00"	50.80 mm
U	.37"	9.40 mm

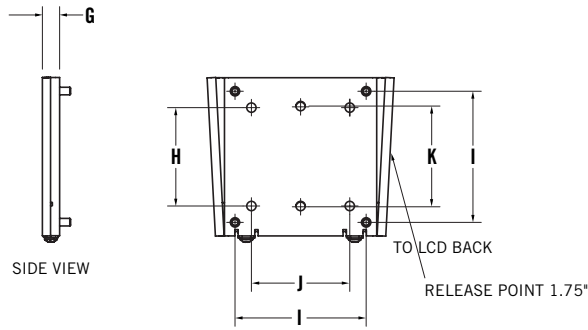
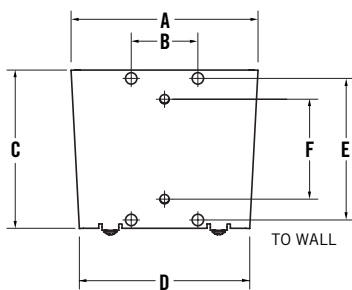
HARDWARE KIT

Qty	Description
6	Lag screw 3/8 x 3/2"
6	Washers 3/8ID x 13/16OD
4	Button head machine screw 3/8-16 x 1/2"
4	Nylon jam nut 3/8-16
1	Allen wrench 3/16 x 4 1/4
1	Allen wrench 5/32 x 4 1/4
1	Allen wrench 7/32 x 4 1/4

FIXED MOUNTS

QM100 F FIXED MOUNT

- 40-lb. maximum weight capacity
- Slide together quick mount for LCD displays
- Designed to easily install LCD panels on walls
- "Hot swap" capable
- Will accept security hardware
- VESA 75/100 compliant
- Grey

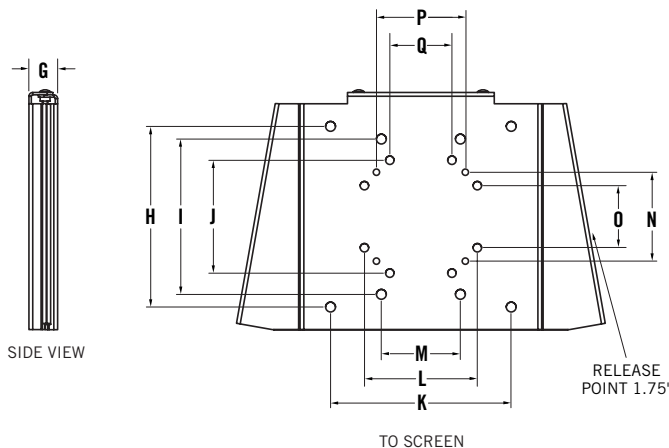
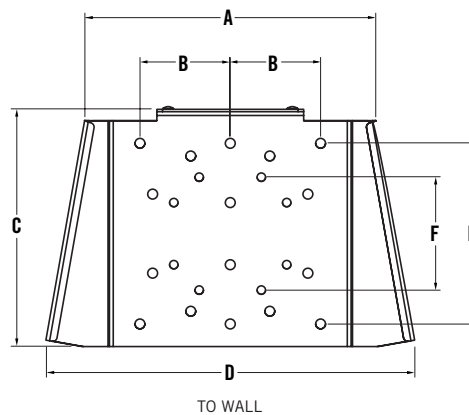
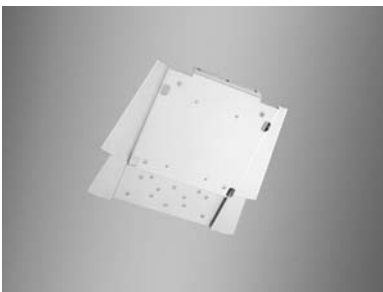


DIMENSIONS		
A	5.60"	142.24 mm
B	2.00"	50.80 mm
C	4.75"	120.65 mm
D	5.11"	129.79 mm
E	4.25"	107.95 mm
F	3.00"	76.20 mm
G	0.52"	13.21 mm
H	2.95"	75.00 mm
I	3.94"	100.00 mm
J	2.95"	75.00 mm
K	3.02"	76.71 mm

HARDWARE KIT	
Qty	Description
4	Phillips screws M4 x 8mm
4	Phillips screws M5 x 8mm
4	Phillips screws M4 x 12mm
4	Phillips screws M5 x 12mm
2	Phillips wood screws #12 x 2"
2	"Toggleler" anchors

QM300 F FIXED MOUNT

- 175 lb. maximum capacity
- Slide together quick mount for plasma panels
- Designed to easily install plasma panels on the wall
- "Hot swap" capability
- Will accept security hardware
- Grey or black

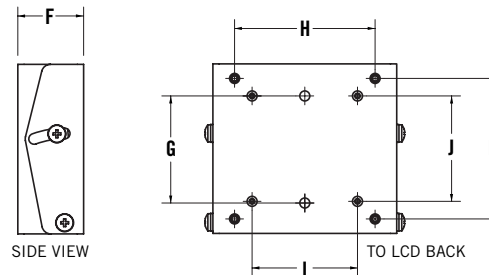
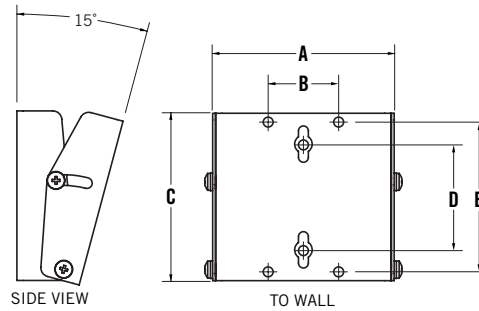
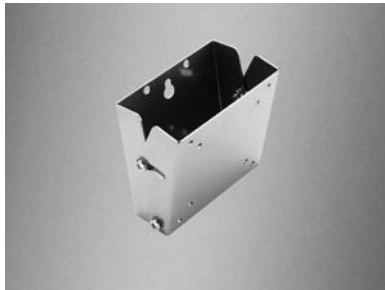


DIMENSIONS		
A	12.90"	327.69 mm
B	4.00"	101.60 mm
C	10.51"	266.83 mm
D	16.33"	414.76 mm
E	8.00"	203.20 mm
F	5.00"	127.00 mm
G	1.27"	32.26 mm
H	8.01"	203.33 mm
I	6.88"	174.63 mm
J	5.00"	127.00 mm
K	8.00"	203.20 mm
L	5.00"	127.00 mm
M	3.50"	88.90 mm
N	3.94"	100.00 mm
O	2.75"	69.85 mm
P	3.94"	100.00 mm
Q	2.75"	69.85 mm

HARDWARE KIT	
Qty	Description
4	Lag screw 3/8 x 3 1/2"
4	Washers 3/8ID x 13/16OD
4	Button head machine screw 3/8-16 x 1/2"
4	Nylon jam nut 3/8-16

QM100 TILT MOUNT

- 40-lb. maximum weight capacity
- Tilting wall mount for LCD panels
- Allows +15° and -5° tilt for optimum viewing (may be inverted)
- Easy and quick installation
- VESA 75/100 compliant
- Durable grey powder coat finish



DIMENSIONS

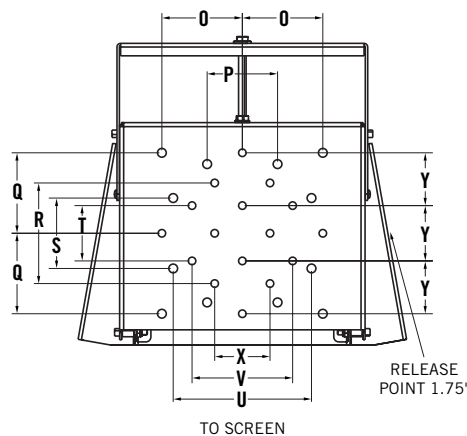
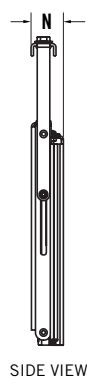
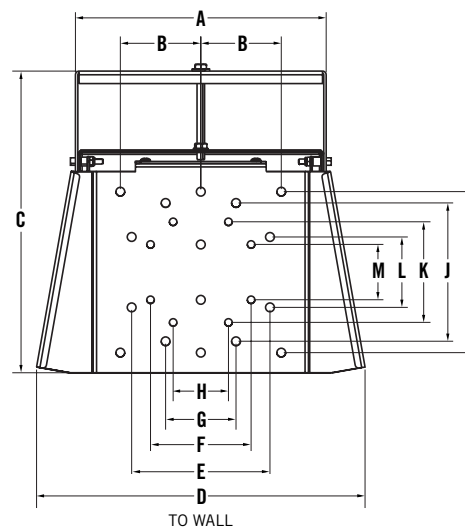
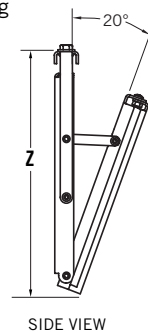
A	5.75"	146.05 mm
B	2.00"	50.80 mm
C	4.75"	146.05 mm
D	3.00"	120.65 mm
E	4.25"	107.95 mm
F	1.84"	46.70 mm
G	3.00"	76.20 mm
H	3.94"	100.00 mm
I	2.95"	75.00 mm
J	2.95"	75.00 mm
K	3.94"	100.00 mm

HARDWARE KIT

Qty	Description
4	Phillips screws M4 x 8mm
4	Phillips screws M5 x 8mm
4	Phillips screws M4 x 12mm
4	Phillips screws M5 x 12mm
2	Phillips wood screws #12 x 2"
2	"Toggleler" anchors

QM300 TILT MOUNT

- 175 lb. maximum weight capacity
- Tilting wall mount for plasma panels
- Allows 20° of forward tilt for optimum viewing
- "Hot swap" capability
- Will accept security hardware
- Durable grey or black powder coat finish



DIMENSIONS

A	12.46"	316.59 mm
B	4.00"	101.60 mm
C	14.99"	380.87 mm
D	16.33"	414.76 mm
E	6.88"	174.63 mm
F	5.00"	127.00 mm
G	3.50"	88.90 mm
H	2.75"	69.85 mm
I	8.01"	203.33 mm
J	6.88"	174.63 mm
K	5.00"	127.00 mm
L	3.50"	88.90 mm
M	2.75"	69.85 mm
N	1.61"	40.84 mm
O	4.00"	101.60 mm
P	3.50"	88.90 mm
Q	4.00"	101.60 mm
R	5.00"	127.00 mm
S	3.50"	88.90 mm
T	2.75"	69.85 mm
U	6.88"	174.63 mm
V	5.00"	127.00 mm
X	2.75"	69.85 mm
Y	2.63"	66.68 mm
Z	14.99"	380.75 mm

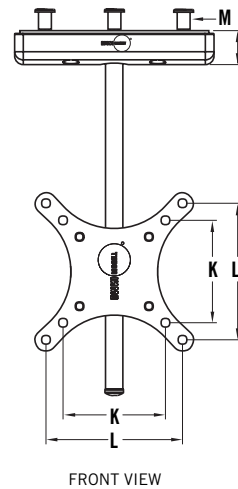
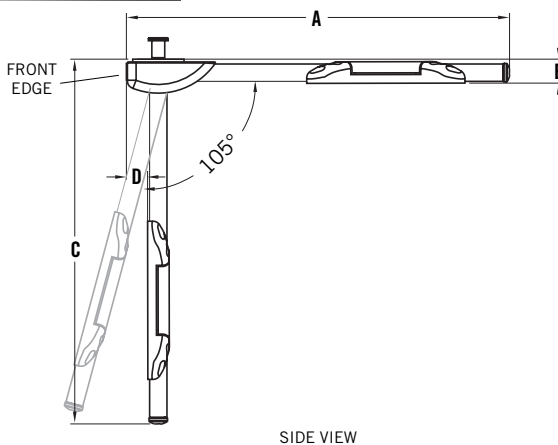
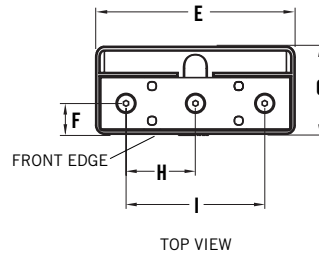
HARDWARE KIT

Qty	Description
4	Lag screw 3/8 x 3/2"
4	Washers 3/8ID x 13/16OD
4	Button head machine screw 3/8-16 x 1/2"
4	Nylon jam nut 3/8-16

75/100 FD FLIP DOWN MOUNT

75/100 FD FLIP DOWN MOUNT

- 40 lb. maximum weight capacity
- Flip down/under the cabinet mount for LCD panels
- Allows LCDs to be flipped up and stored when not in use
- Allows for tilt and swivel of LCD panel for optimum viewing
- VESA 75/100 compliant
- Durable grey powder coat finish



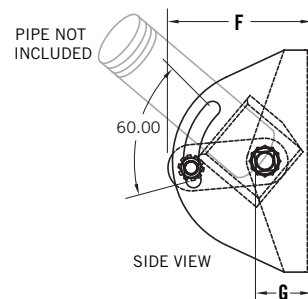
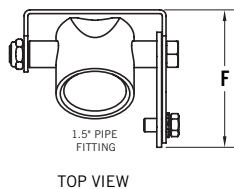
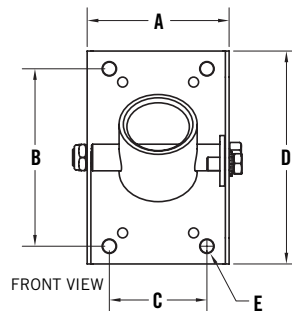
DIMENSIONS		
A	11.05"	280.66 mm
B	.691"	17.54 mm
C	10.52"	267.18 mm
D	.612"	15.54 mm
E	5.75"	146.05 mm
F	.92"	23.37 mm
G	2.56"	65.12 mm
H	2.00"	50.80 mm
I	4.00"	101.60 mm
J	.98"	24.89 mm
K	2.95"	75.00 mm
L	3.94"	100.00 mm
M	.75"-1.0"	19.05-25.4 mm

HARDWARE KIT	
Qty	Description
4	Phillips screws M4 x 8mm
4	Phillips screws M5 x 8mm
4	Phillips screws M4 x 12mm
4	Phillips screws M5 x 12mm
1	Allen wrench 3/16 x 4 1/2
1	Allen wrench 5/32 x 4 1/2
2	Cable tie 1/16 x 3 1/2 WHT

TILT PA TILT PIPE ADAPTER MOUNT

TILT PA TILT PIPE ADAPTER MOUNT

- 175 lb. maximum weight capacity
- Provides a mounting point for new/existing pipe drops from ceiling or rafters
- Perfect for conference/board rooms
- Fits 1 1/2" standard (NPT) pipe thread
- Allows 45/15° tilt of flat panel for optimum viewing
- Durable black powder coat finish
- May be used in conjunction with QM300 F for "hot swap" capability

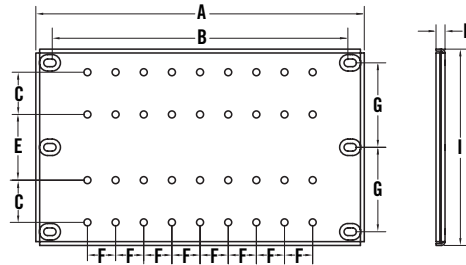


DIMENSIONS		
A	4.00"	101.60 mm
B	5.00"	127.00 mm
C	2.75"	69.85 mm
D	6.00"	152.40 mm
E	.375"	9.52 mm
F	4.00"	101.60 mm
G	1.25"	31.75 mm

HARDWARE KIT	
Qty	Description
4	Button head machine screw 3/8-16 x 1/2"
4	Nylon jam nut 3/8-16

PLAD-DS 16 DOUBLE STUD MOUNT PLATE

- Allows optimal positioning of QM300 F, QM300 T and FP CL mounts between studs on 16" centers
- Flexible 1½" mounting locations across plate
- Includes complete hardware kit
- Durable black powder coat finish
- Can be used to comply with local building codes that require double stud mounting



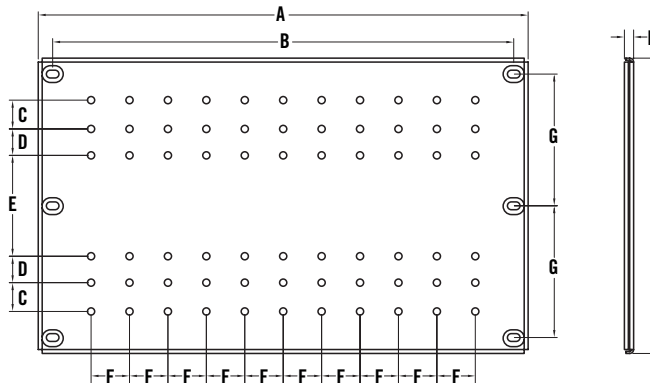
DIMENSIONS		
A	17.50"	444.50 mm
B	15.75"	400.05 mm
C	2.25"	57.15 mm
D	XXX"	XXX mm
E	3.50"	88.90 mm
F	1.50"	38.10 mm
G	4.50"	114.30 mm
H	.48"	12.70 mm
I	10.46"	265.68 mm

HARDWARE KIT

Qty	Description
4	Lag screw 3/8 x 3/4"
6	Washers 3/8ID x 13/16OD
6	Button head machine screw 3/8-16 x 1/2"

PLAD-DS 24 DOUBLE STUD MOUNT PLATE

- Allows optimal positioning of QM300 F, QM300 T and FP CL mounts between studs on 24" centers
- Flexible 1½" mounting locations across plate
- Includes complete hardware kit
- Durable black powder coat finish
- Can be used to comply with local building codes that require double stud mounting



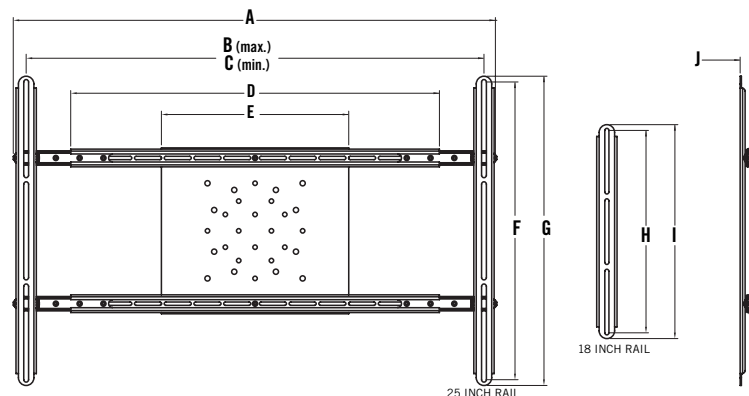
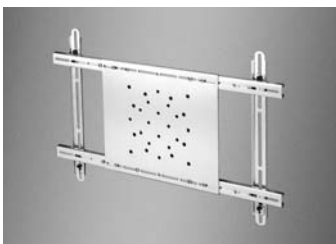
DIMENSIONS		
A	25.50"	647.70 mm
B	24.00"	609.60 mm
C	1.50"	38.10 mm
D	1.38"	35.05 mm
E	5.25"	133.35 mm
F	2.00"	50.80 mm
G	6.86"	174.24 mm
H	.48"	12.19 mm
I	15.37"	390.45 mm

HARDWARE KIT

Qty	Description
4	Lag screw 3/8 x 3/4"
6	Washers 3/8ID x 13/16OD
6	Button head machine screw 3/8-16 x 1/2"

PLAD UM-1 UNIVERSAL ADAPTER PLATE

- Fully adjustable design fits most large flat panel displays
- Includes complete hardware kit
- Quick mount capability with Plasma CL
- Durable grey powder coat finish



DIMENSIONS		
A	40.54"	1029.59 mm
B	38.49"	977.65 mm
C	3.50"	88.90 mm
D	31.00"	787.40 mm
E	15.75"	400.05 mm
F	25.03"	635.79 mm
G	26.00"	660.40 mm
H	17.02"	432.21 mm
I	17.98"	456.82 mm
J	1.29"	32.72 mm

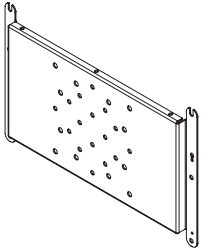
HARDWARE KIT

Qty	Description
4	Hex screws 1/4-20 x 1/2
4	Square washer
4	1/4 x 7/16 x 1/2 spacer
4	3/400 x 3/8 spacer
4	1/2 x 1.9" spacer
1	Allen wrench 5/32 x 3/4"
1	Allen wrench 6mm
4	Phillips screws M4 x 16mm
4	Phillips screws M4 x 25mm
4	Phillips screws M4 x 60mm
4	Phillips screws M5 x 16mm
4	Phillips screws M5 x 60
4	Phillips screws M6 x 12mm
4	Phillips screws M8 x 16mm
4	Phillips screws M8 x 1.25 x 20mm
4	Phillips screws M8 x 25mm
4	Phillips screws M8 x 35mm
4	Phillips screws M8 x 45mm

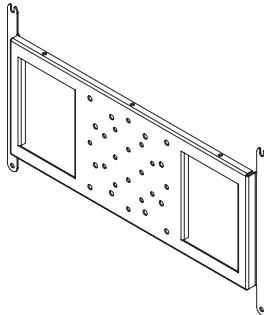
PLASMA ADAPTER PLATES – LARGE FLAT SCREEN DISPLAY

SAMPLE REPRESENTATIONS

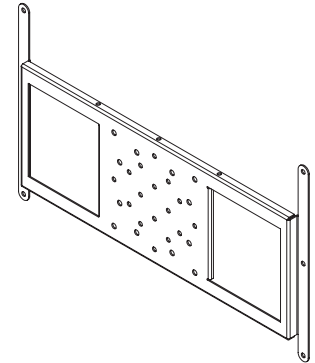
PLAD-2
42" PLASMA
ADAPTER EXAMPLE
 PLASMA ADAPTER PLATES FOR
 PLASMA DISPLAYS UP TO 42"



PLAD-19
50" PLASMA
ADAPTER EXAMPLE
 PLASMA ADAPTER PLATES FOR
 PLASMA DISPLAYS UP TO 50"



PLAD-12
60" PLASMA
ADAPTER EXAMPLE
 PLASMA ADAPTER PLATES FOR
 PLASMA DISPLAYS UP TO 60"

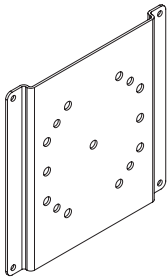


ADAPTER PLATES ARE MANUFACTURER MODEL SPECIFIC AND MAY LOOK DIFFERENT FROM IMAGES ABOVE. PLEASE CHECK WWW.OMNIMOUNT.COM FOR CROSS REFERENCE CHART

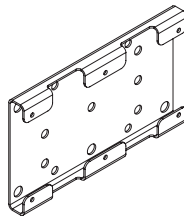
FLAT PANEL ADAPTER PLATES – MEDIUM FLAT SCREEN DISPLAY

SAMPLE REPRESENTATIONS

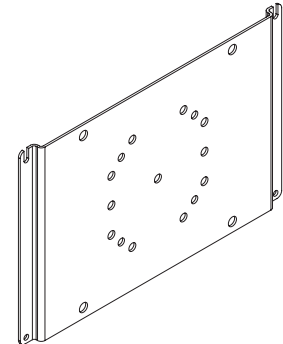
FP-AD5
ADAPTER EXAMPLE
 FITS PANASONIC LARGE LCD



FP-AD7
ADAPTER EXAMPLE
 VESA200 TO OMNIMOUNT
 FITS MITSUBISHI LARGE LCD



FP-AD2
ADAPTER EXAMPLE
 FITS SONY LARGE LCD

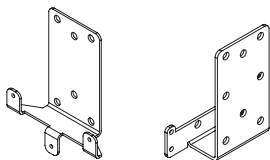


ADAPTER PLATES ARE MANUFACTURER MODEL SPECIFIC AND MAY LOOK DIFFERENT FROM IMAGES ABOVE. PLEASE CHECK WWW.OMNIMOUNT.COM FOR CROSS REFERENCE CHART

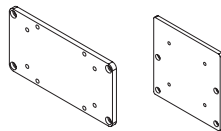
LCD ADAPTER PLATES – SMALL FLAT SCREEN DISPLAYS

NON-VESA STANDARD

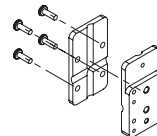
LCD-AD2
 LCD ADAPTER PLATES FOR
 PANASONIC SCREENS



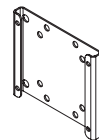
LCD-AD7
 LCD ADAPTER PLATES FOR
 PHILIPS SCREENS



LCD-AD1
 LCD ADAPTER PLATES FOR
 SHARP SCREENS



LCD-AD10
 LCD ADAPTER PLATES FOR
 ZENITH SCREENS



ADAPTER PLATES ARE MANUFACTURER MODEL SPECIFIC AND MAY LOOK DIFFERENT FROM IMAGES ABOVE.

OMNIMOUNT CARRIES A LINE OF ADAPTER PLATES FOR MANUFACTURER MODEL-SPECIFIC DISPLAYS THAT ARE NON-VESA 100/75 STANDARD.

CONTACT OMNIMOUNT FOR A COMPLETE LIST