



The ARC® Framing System
from OmniMount®

General Specifying Information

Overview of Mounting
Configurations and Options

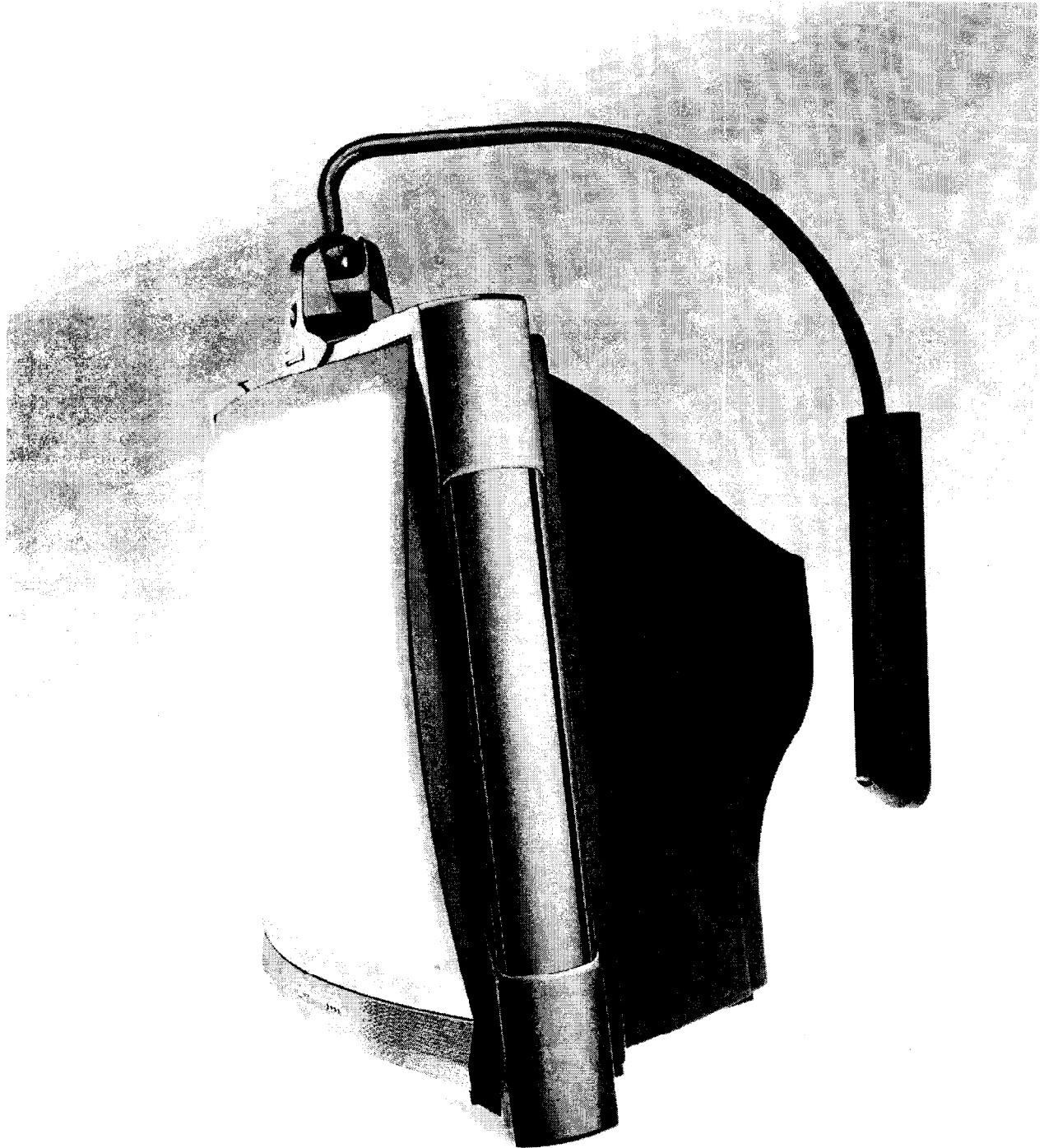
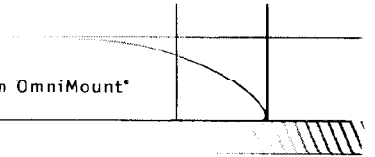
Most items shown are currently available

Contact OmniMount Systems with your specific application requirements and for pricing and ordering information.

Aesthetically
Refined
Components



The ARC® Framing System from OmniMount®



OmniMount Systems, Inc.
The Pointe at South Mountain
8201 South 48th Street
Phoenix, Arizona 85044-5355

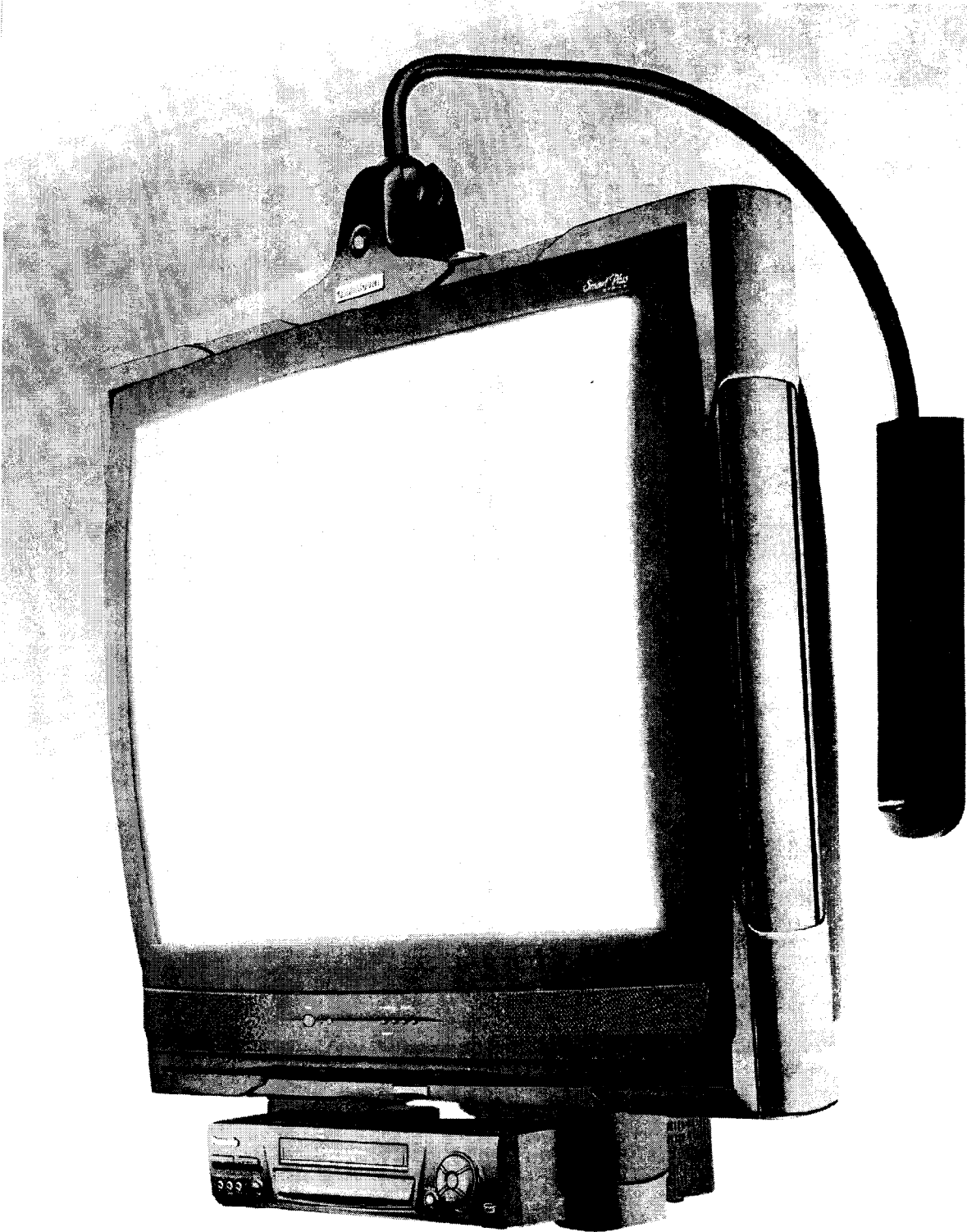
800-MOUNT-IT! (668-6848)
602-829-8000
fax: 602-756-9000
www.omnimount.com

DS#001 Rev. A 5-99

Aesthetically
Refined
Components



The ARC® Framing System from OmniMount®



OmniMount Systems, Inc.
The Pointe at South Mountain
8201 South 48th Street
Phoenix, Arizona 85044-5355

800-MOUNT-IT! (668-6848)
602-829-8000
fax: 602-756-9000
www.omnimount.com

DS#002 Rev. A 5-99

Aesthetically
Refined
Components

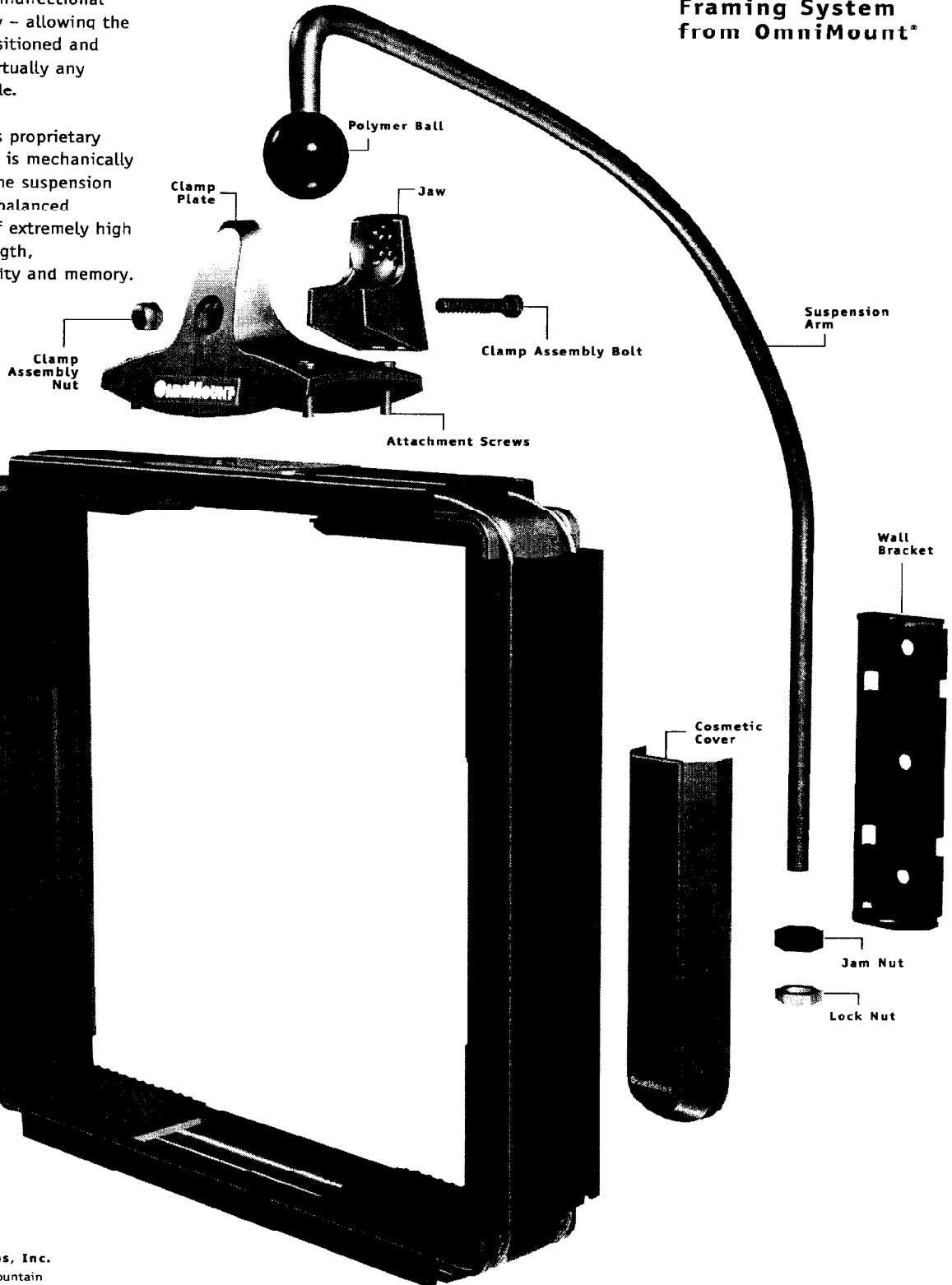


The ARC® Framing System from OmniMount®

The ARC® Framing System from OmniMount®

The ball-and-clamp assembly provides omnidirectional adjustability – allowing the TV to be positioned and locked at virtually any viewing angle.

OmniMount's proprietary polymer ball is mechanically bonded to the suspension arm. It has balanced properties of extremely high tensile strength, compressibility and memory.



Dual Aircraft Cable Design— Either cable, operating alone, provides effective support beyond the maximum rated load for the entire framing system.

After the cables are tightened, the compression springs provide constant tension force evenly around the frame.

A total of six set screws are used to lock cables securely in place.

OmniMount Systems, Inc.
The Pointe at South Mountain
8201 South 48th Street
Phoenix, Arizona 85044-5355

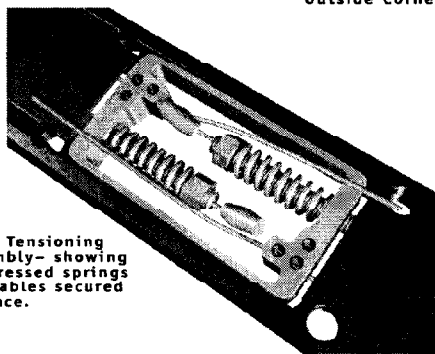
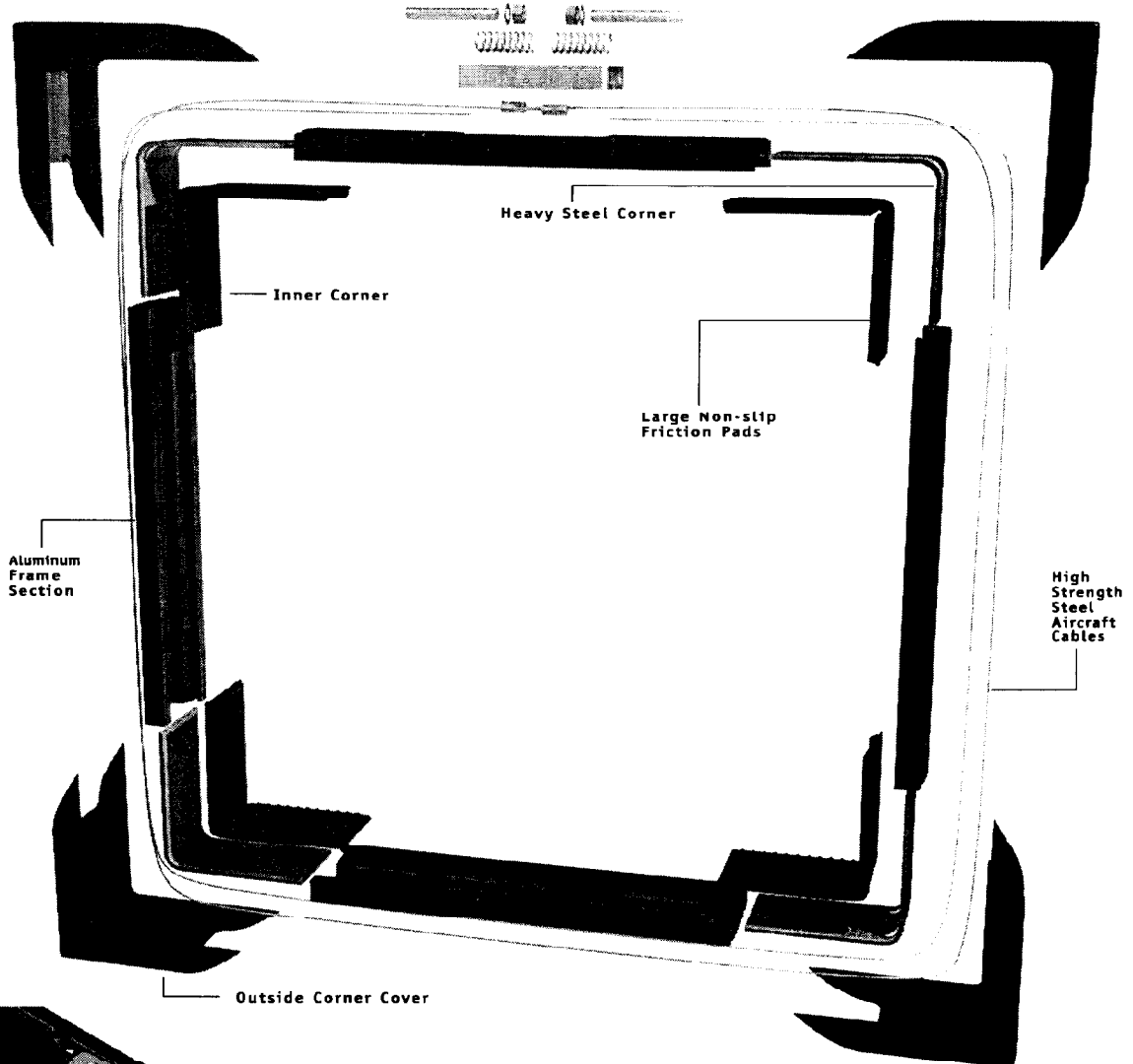
800-MOUNT-IT! (668-6848)
602-829-8000
fax: 602-756-9000
www.omnimount.com

DS#003 Rev. A 5-99

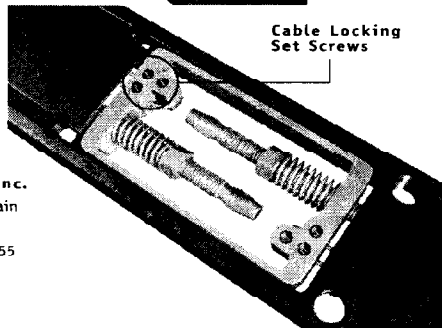
Aesthetically
Refined
Components



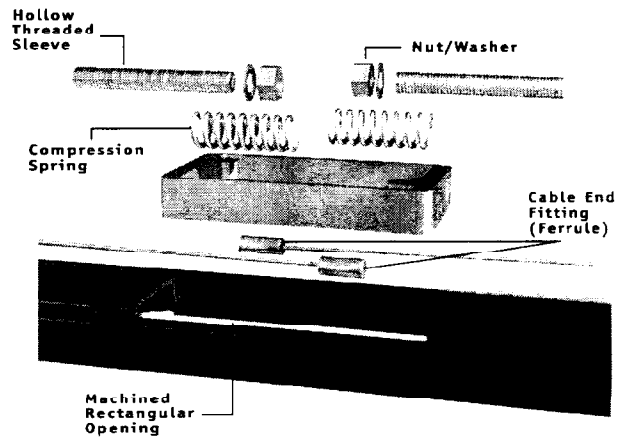
The ARC® Framing System from OmniMount®



Cable Tensioning Assembly— showing compressed springs and cables secured in place.



Cable Locking Set Screws



Cable Tensioning Assembly— showing assembled compression springs and cables.

OmniMount Systems, Inc.
The Pointe at South Mountain
8201 South 48th Street
Phoenix, Arizona 85044-5355

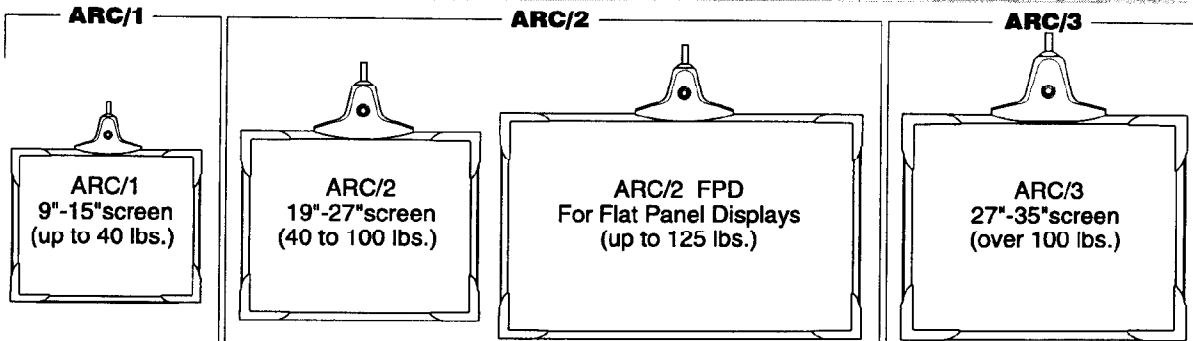
800-MOUNT-IT! (668-6848)
602-829-8000
fax: 602-756-9000
www.omnimount.com



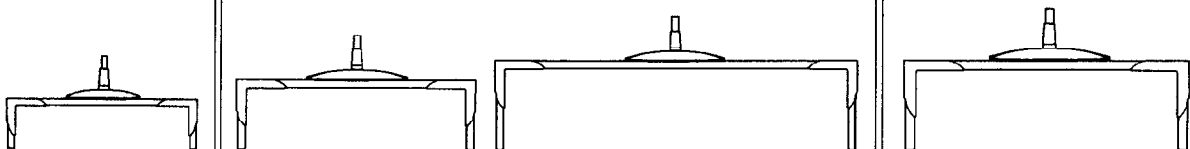
Choosing the right ARC Framing System for the TV that you intend to have mounted.

The ARC Framing System is available in three basic categories: ARC/1, ARC/2 and ARC/3

BALL AND CLAMP ASSEMBLY PROVIDES OMNIDIRECTIONAL ADJUSTABILITY



FIXED MOUNT PLATE PROVIDES PANNING (SIDE-TO-SIDE) ROTATION ONLY

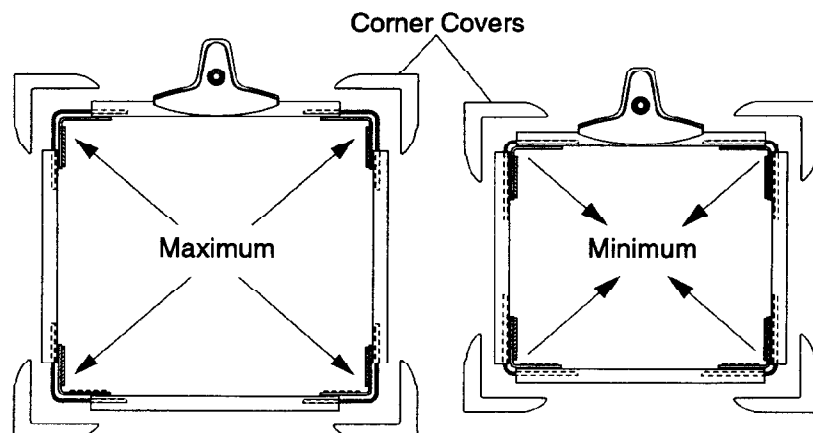


OVERVIEW

Each category (ARC 1,2 & 3) has **Standard** models and **Special** models. Both **Standard** and **Special** models are available in some quantity for fast track shipment. **Custom** models are also available. **Custom** models generally require set-up charges and some additional lead time. The custom program for ARC products offers great problem solving flexibility for your special installation needs. Call OmniMount Systems directly for more information.

The ARC Framing System frame is adjustable.

Each of the **Standard** models within all three ARC categories is individually adjustable.



The Same Frame Model Shown at *Maximum* Inside Dimension

The Same Frame Model Shown at *Minimum* Inside Dimension

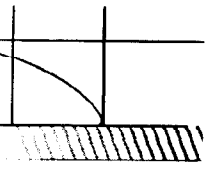
Sliding in and out at the corners of the frame allow one standard model to adjust to height and width variances in TV cabinet sizes. This applies to ARC/1, 2 and 3 categories.

Note: We use "TV" as a generic term for a monitor, LCD or plasma device or any mountable video devices.

OmniMount Systems, Inc.
The Pointe at South Mountain
8201 South 48th Street
Phoenix, Arizona 85044-5355

800-MOUNT-IT! (668-6848)
602-829-8000
fax: 602-756-9000
www.omnimount.com

DS#005 Rev. A 5-99



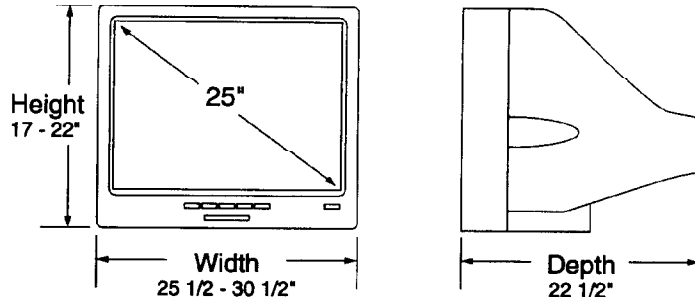
Standard models have been established with specific ratios of height and width that are tied to commonly referenced diagonal screen measurements.

How it works

The examples to the right show the range of cabinet dimensions using an ARC/2 model for a 25" TV.

Along with the dimensions, the weight of the TV must also be considered. The ARC/2 model for a 25" TV has a maximum rated load capacity of 100 lbs.

The majority of 25" TV's will fit both the dimensional and weight specifications of the ARC/2 model.



But there can be exceptions

Here are three examples:

1) Professional broadcast monitors and heavy commercial TV's with metal cabinets are one exception. They may measure 25" across the screen diagonal, and they may also fit the height & width ratios for our ARC/2 model, but they may exceed the maximum rated load for the (ARC/2) frame category.

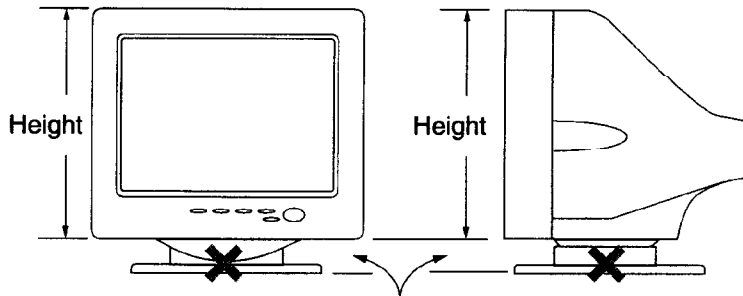
2) A 25" TV with the added weight of a built in VCR or DVD player may also exceed the maximum rated load of our ARC/2 model.

3) If you are "accessorizing" the frame - adding weight by adding directly attached speakers, a VCR, DVD player, etc. The cumulative weight could exceed the maximum rated load for the ARC/2 model.

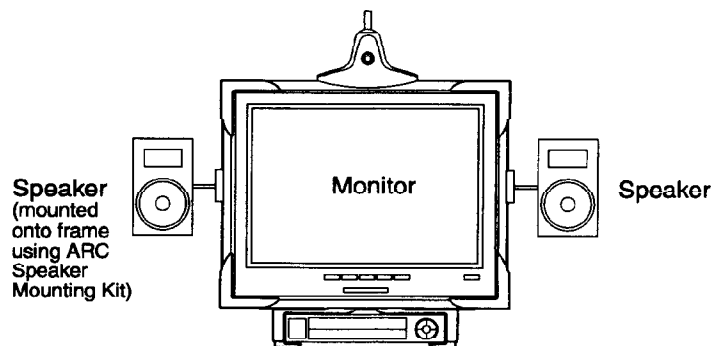
When specifying...

...you must consider that both the overall dimensions *and* the weight of the TV are within the acceptable specified limits. If they are not, simply specify an ARC Framing System rated for a higher load.

When specifying height for computer monitors
Do not include the base in the overall height measurement



Most computer monitor bases are removable but some have built in contours that could interfere with correctly positioning the ARC frame. Also be sure that the bottom surface of the monitor is flat in the area where the frame will be positioned.



OVERVIEW

OmniMount Systems, Inc.
The Pointe at South Mountain
8201 South 48th Street
Phoenix, Arizona 85044-5355

800-MOUNT-IT! (668-6848)
602-829-8000
fax: 602-756-9000
www.omnimount.com

DS#006 Rev. A 5-99



ARC Framing System - Basic Attachment Options - Wall

Ball & Clamp Assembly - Omnidirectional Positioning

This is the most popular transition to the ARC frame since it allows the greatest flexibility in achieving the broadest and most precise adjustment of desired viewing angles. Provides real advantages at the job site where viewing angles and precise positioning requirements may be unknown, or may require fine tuning.

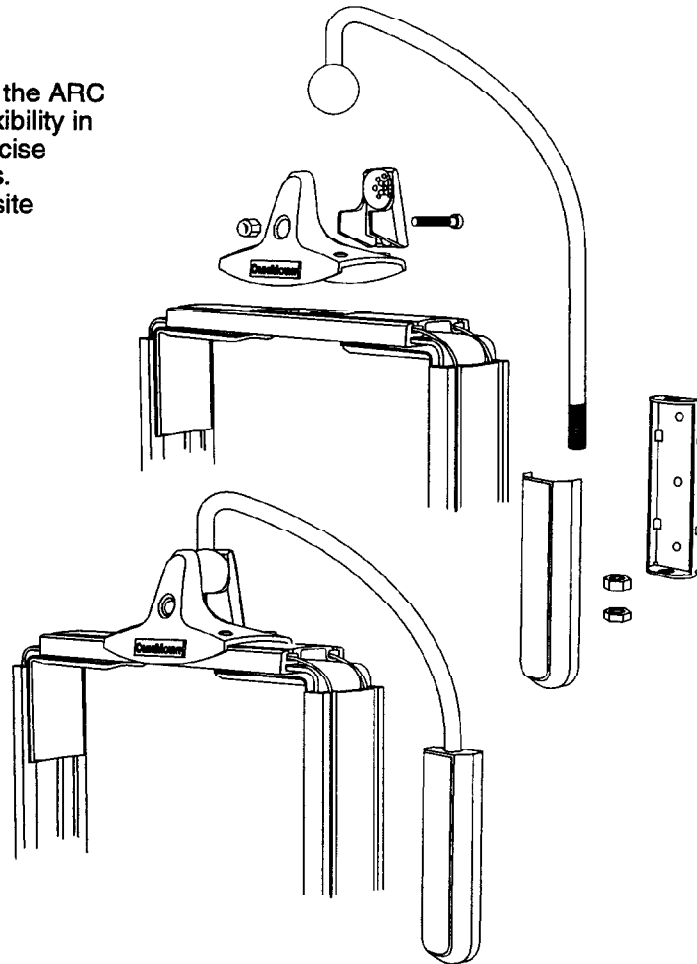
Ball & Clamp Assembly - Custom suspension arm length can be specified

Standard Models in all ARC categories have adequate calculated distance from the wall to accommodate depth clearance requirements for most TV's. (see "A")

Custom models with a custom suspension arm length can be specified. (see "B") Some professional TV monitors and visual display devices require more depth than is available with Standard models.

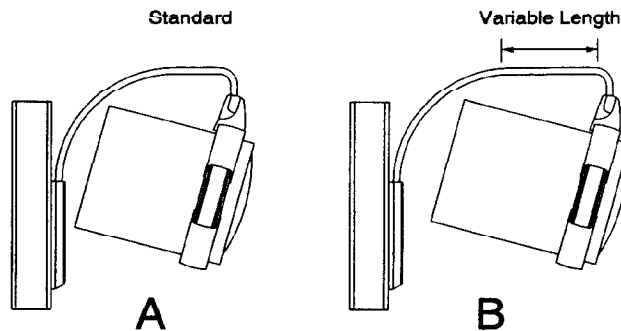
There are of course, reasonable limitations. Custom modification of suspension arms require careful evaluation of such variables as center of gravity and distribution of load. Other factors may also be critical to a safe and secure installation.

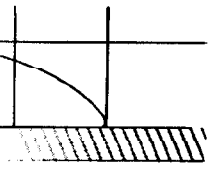
OmniMount Systems, Inc., strongly recommends an application review by its technical support staff if there are application/installation questions.



Note: For simplicity, corner covers are not illustrated.

Custom Suspension Arm Length





ARC Framing System – Basic Attachment Options – Wall

Fixed Mount - Standard Models: Panning function is available. Tilt is not available.

The fixed mount attachment option sits nearly flat against the frame thus providing a lower profile than the ball and clamp assembly option. Adjustability however, is limited to rotational panning at the point of attachment to the frame. No downward or upward tilt is available. A second point of rotation is also available where the suspension arm joins the wall bracket.

Fixed Mount - Special Models: A built-in 10° downward tilt formed into suspension arm is available.

The 10° bend in the suspension arm is situated directly above the fixed mount plate. Rotation at the fixed mount plate must be locked with the suspension arm perpendicular to the face of the TV so that the TV remains parallel to the floor. Changes in the panning (side to side) viewing angle can be accomplished by rotational movement at the wall bracket.

Fixed Mount - Custom Models: Variable suspension arm length and tilt angle can be specified.

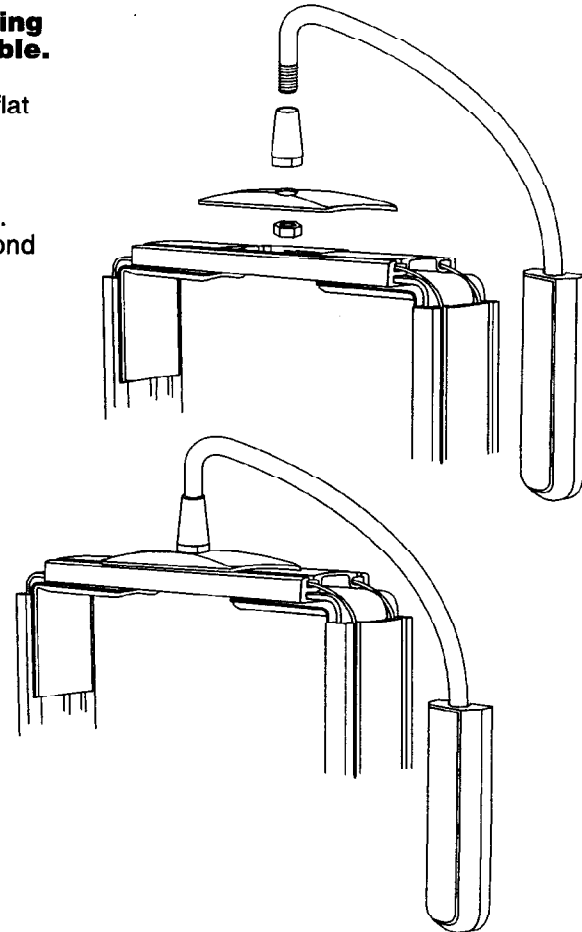
The length measured along the top of the suspension arm can be custom specified. (see "A") The angle of tilt (degree of bend) can also be custom specified. (see "B") Both can be combined to meet specific known application requirements. (see "C")

There are of course, reasonable limits. Custom modification of suspension arms require careful evaluation of such variables as center of gravity and distribution of load. Other factors may also be critical to a safe and secure installation.

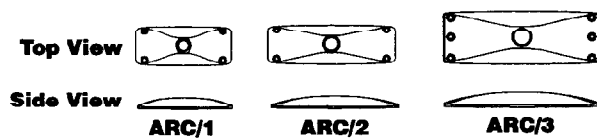
OmniMount Systems, Inc., strongly recommends an application review by its technical support staff if there are application / installation questions.

OmniMount Systems, Inc.
The Pointe at South Mountain
8201 South 48th Street
Phoenix, Arizona 85044-5355

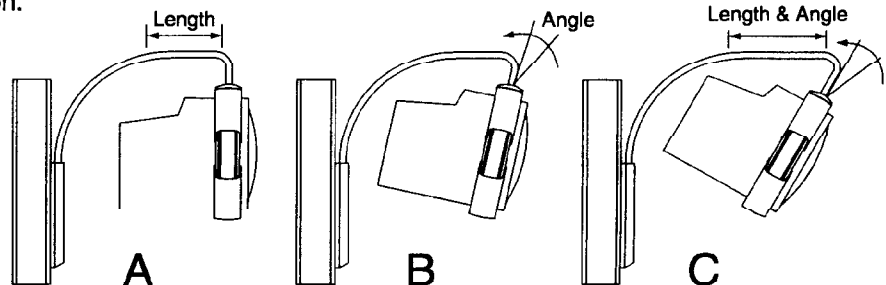
800 MOUNT-IT! (668-6848)
602-829-8000
fax: 602-756-9000
www.omnimount.com

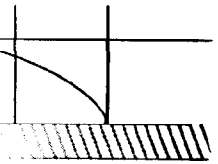


WALL MOUNTING
Fixed Mounting Plate



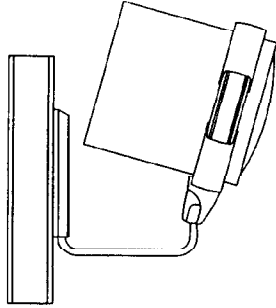
Custom Suspension Arm Variables





Additional Wall Mounting Options - Ball & Clamp Assembly

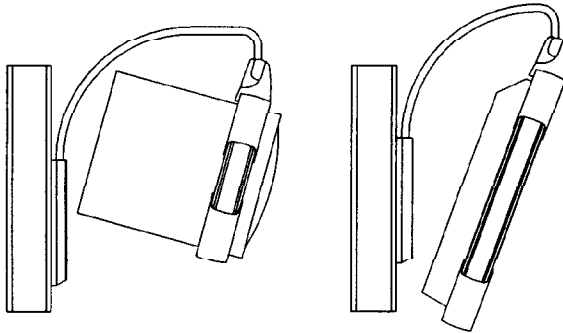
Underneath Support Arm (Standard Models: ARC/1)



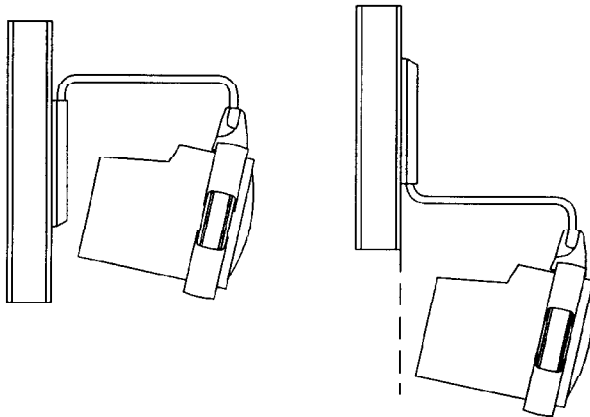
Note:

Underneath support arm available as a standard product only for the ARC/1 category.
Underneath support arm options can be specified for ARC/2 & 3 categories but should only be considered for applications where the TV is tilted backwards (towards the wall) not downwards away from the wall. Application example: Where the viewing angle requires a backward tilt of the TV because the sight lines of the viewer requires looking down at the TV from an elevated point of view.

Overhead Suspension Arm (Standard Models: ARC/1, 2 & 3)

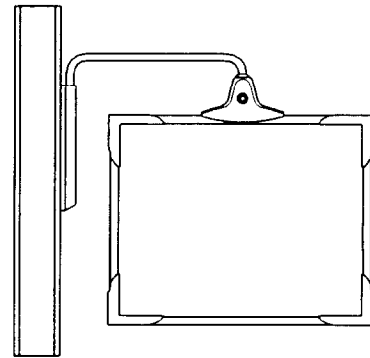


Overhead Suspension Arm (Custom Models: ARC/1, 2 & 3)



Side Wall Mounting Option

(Custom Models: ARC/1, 2, 3 & FPD
(Flat Panel Display)

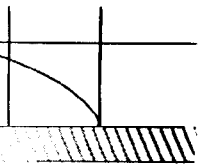


WALL MOUNTING
Ball & Clamp Assembly

OmniMount Systems, Inc.
The Pointe at South Mountain
8201 South 48th Street
Phoenix, Arizona 85044-5355

800-MOUNT-IT! (668-6848)
602-829-8000
fax: 602-756-9000
www.omnimount.com

DS#009 Rev. A 5-99

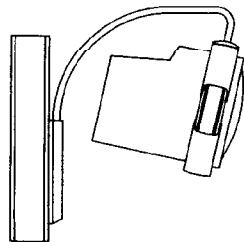
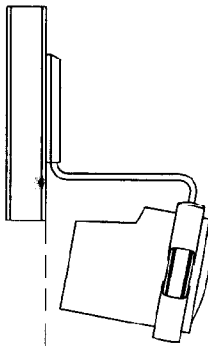
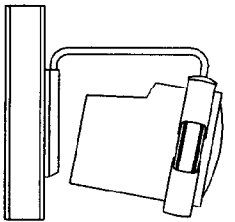
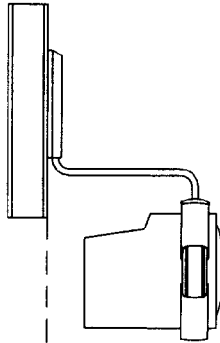
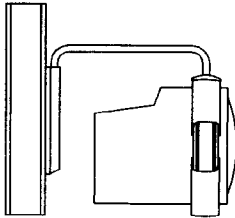
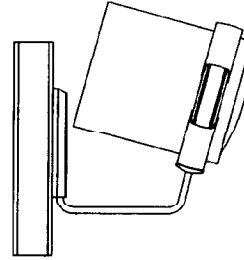
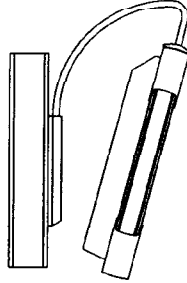
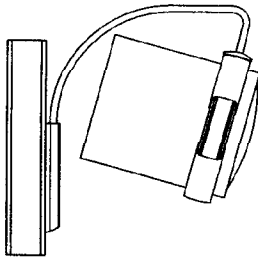


Additional Wall Mounting Options - Fixed Mounting Plate

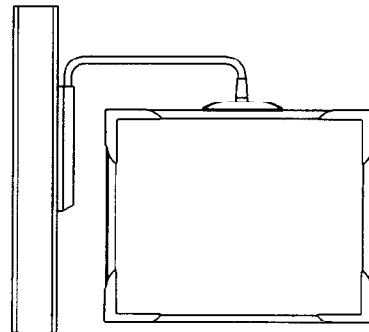
Overhead Suspension Arm
(Standard Models ARC/1, 2 & 3)

ARC/2 - FPD

Underneath Support Arm
(Standard Model available
for ARC/1 only)



Side Wall Mounting Option
(Custom Models ARC/1, 2, 3 & FPD
(Flat Panel Display))



WALL MOUNTING
Fixed Mounting Plate

OmniMount Systems, Inc.
The Pointe at South Mountain
8201 South 48th Street
Phoenix, Arizona 85044-5355

800-MOUNT-IT! (668-6848)
602-829-8000
fax: 602-756-9000
www.omnimount.com

DS#0010 Rev. A 5-99



ARC Framing System - Basic Attachment Options - Ceiling

Ball & Clamp Assembly - Omnidirectional Positioning

Most popular type of attachment to frame since it allows the greatest flexibility in achieving the broadest and most precise adjustment of desired viewing angles. Provides real advantages at the job site where viewing angles and precise positioning requirements may be unknown, or may require fine tuning.

Ball & Clamp Assembly - Standard Models

The suspension arm for Standard models is designed to mount the frame as close as possible to the ceiling. The suspension arm is therefore, relatively short in length. Standard Models are also available with a longer extension arm but with a fixed length that provides additional clearance from the ceiling. If you are familiar with OmniMount Speaker Mounting Assemblies, consider that these suspension arm lengths correlate to OmniMount's "ST" and "STX" Models. Contact OmniMount for more details.

Ball & Clamp Assembly - Custom Models: Variable suspension arm lengths can be specified.

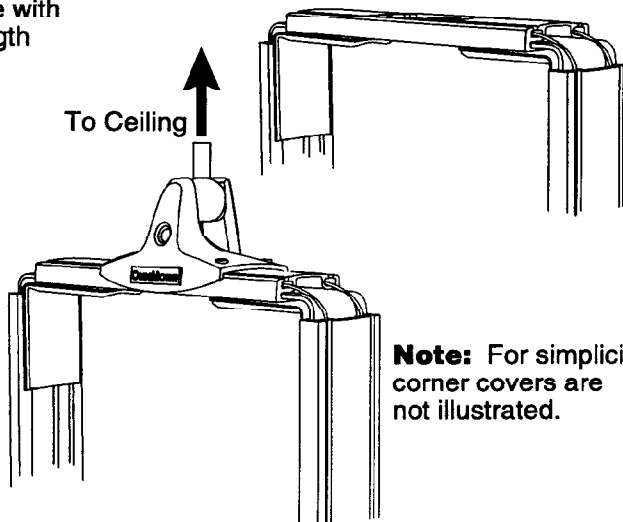
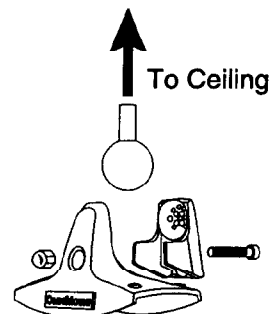
Custom suspension arm lengths may be ordered for both surface mount applications (see "A") and other configurations (see "B" & "C"). Lengthening the distance from the mount surface to the top of the frame can also be accomplished with pipe thread adapters and plumbing pipe or threaded adapters used with all-threaded rod. Custom length suspension arms offer appearance advantages since they eliminate the visual intrusiveness of pipe, visible threads on all-thread rod and adapter joints.

There are of course, reasonable limitations. Custom modification of suspension arms require careful evaluation of such variables as center of gravity and distribution of load. Other factors may also be critical to a safe and secure installation.

OmniMount Systems, Inc., strongly recommends an application review by its technical support staff if there are application / installation questions.

OmniMount Systems, Inc.
The Pointe at South Mountain
8201 South 48th Street
Phoenix, Arizona 85044-5355

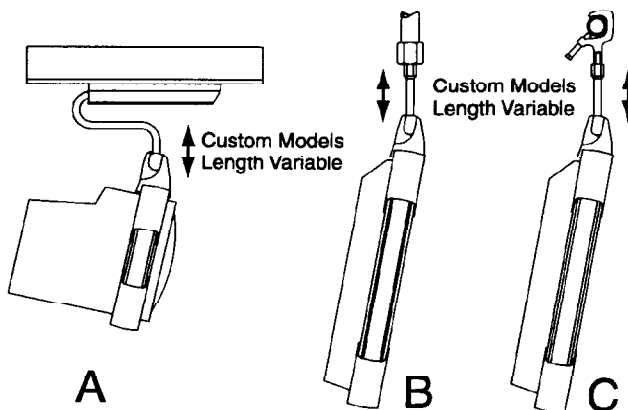
800-MOUNT-IT! (668-6848)
602-829-8000
Fax: 602-756-9000
www.omnimount.com



CEILING MOUNTING
Ball & Clamp Assembly

Note: For simplicity, corner covers are not illustrated.

Shown are examples of ceiling mount configurations





ARC Framing System – Basic Attachment Options – Ceiling

Fixed Mount - Standard Models: Panning function is available. Tilt is not available.

The fixed mount attachment option offers a nearly flat - low profile between the frame and suspension arm or tube. Adjustability is limited to rotational panning at the point of attachment to the frame. No downward or upward tilt is available. (see "A")

Fixed Mount - Special Models: A built in 10° downward tilt formed into suspension arm, is available.

The 10° bend in the suspension arm is situated directly above the fixed mount plate. (see "B", "C" & "D") Rotation at the fixed mount plate must be locked with the suspension arm perpendicular to the face of the TV so that the TV remains parallel to the floor. Changes in panning (side to side) viewing angle can be accomplished by rotational movement at the wall bracket.

Fixed Mount - Custom Models: Variable suspension arm length and tilt angle can be specified.

Custom suspension arm lengths may be ordered. (see "A" & "B"). Lengthening the distance from the mount surface to the top of the frame can also be accomplished with pipe thread adapters and plumbing pipe or threaded adapters used with all-threaded rod. Custom length suspension arms offer appearance advantages. The angle of tilt (degree of bend) can also be custom specified. (see "B") Custom tilt angle and custom length can be combined to meet specific application requirements.

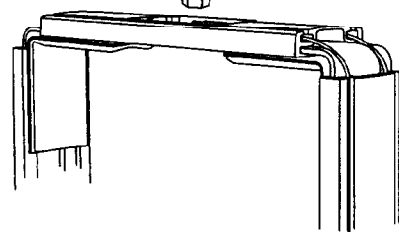
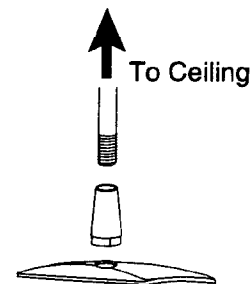
There are of course, reasonable limitations. Custom modification of suspension arms require careful evaluation of such variables as center of gravity and distribution of load. Other factors may also be critical to a safe and secure installation.

OmniMount Systems, Inc., strongly recommends an application review by its technical support staff if there are application / installation questions.

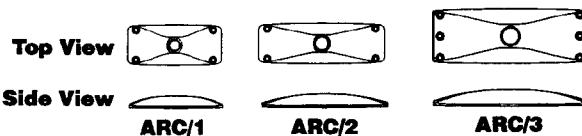
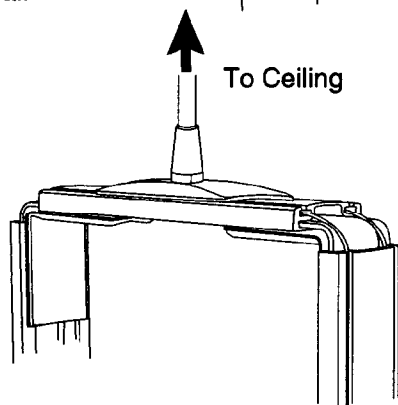
DS#0012 Rev. A 5-99

OmniMount Systems, Inc.
The Pointe at South Mountain
8201 South 48th Street
Phoenix, Arizona 85044-5355

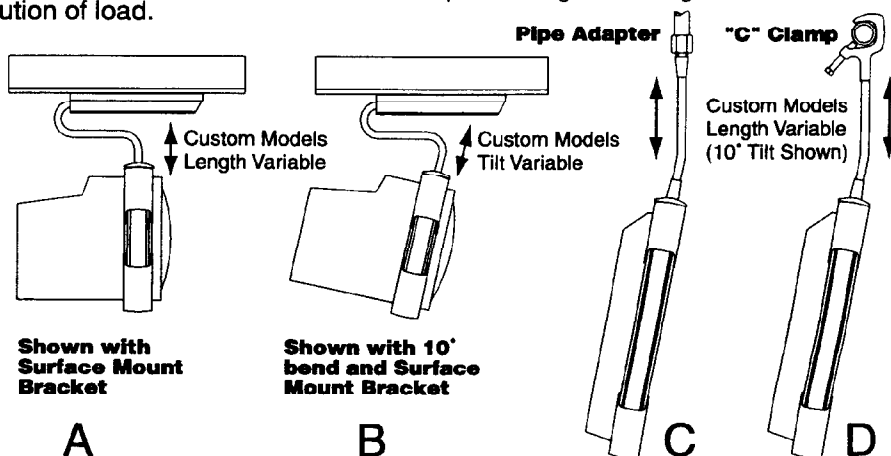
800-MOUNT-111 (668-6848)
602-829-8000
fax: 602-756-9000
www.omnimount.com



CEILING MOUNTING
Fixed Mounting Plate



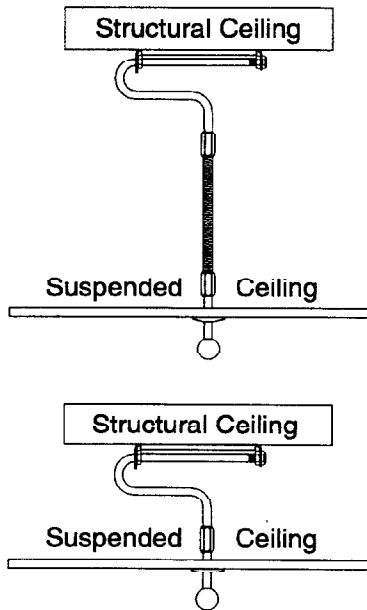
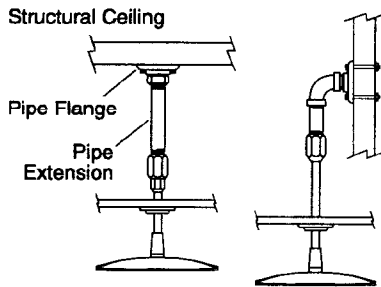
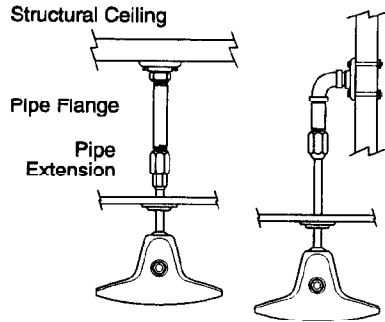
Shown are examples of ceiling mount configurations



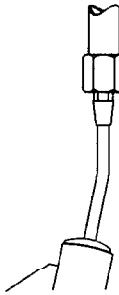
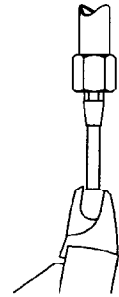


Additional Ceiling Mounting Options

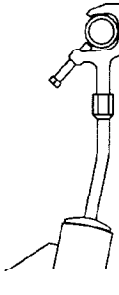
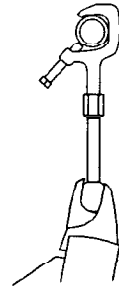
Suspended Ceiling Options



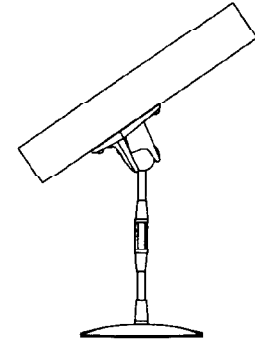
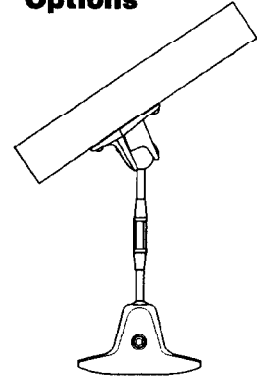
1 1/2" Pipe Adapter



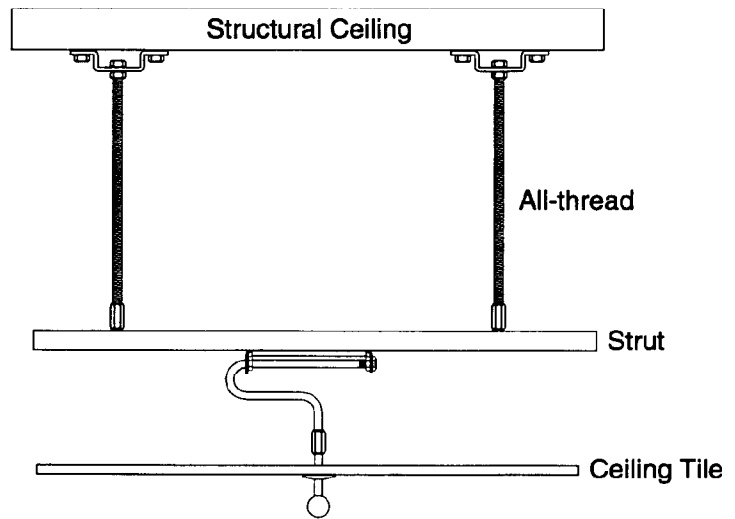
"C" Clamp Adapter



Vaulted Ceiling Options



CEILING MOUNTING
Options



OmniMount Systems, Inc.
The Pointe at South Mountain
8201 South 48th Street
Phoenix, Arizona 85044-5355

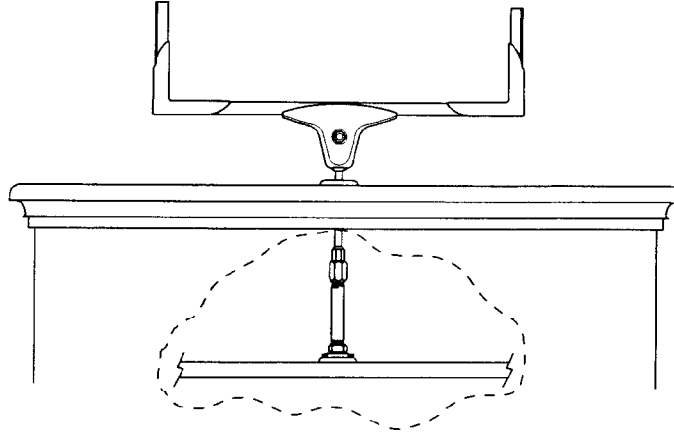
800-MOUNT-IT! (668-6848)
602-829-8000
fax: 602-756-9000
www.omnimount.com

DS#0013 Rev. A 5-99

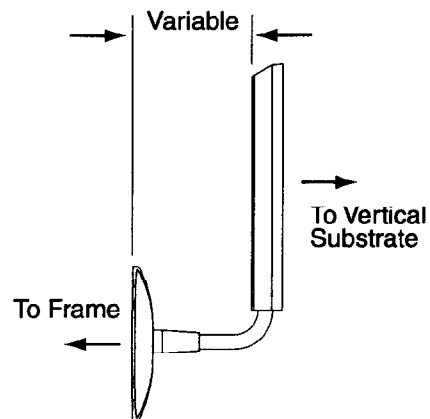
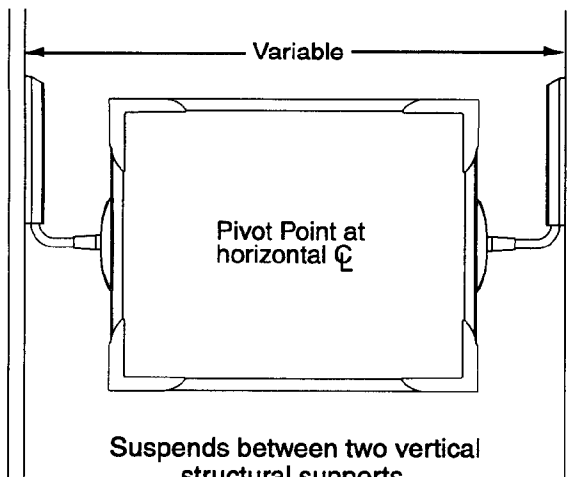
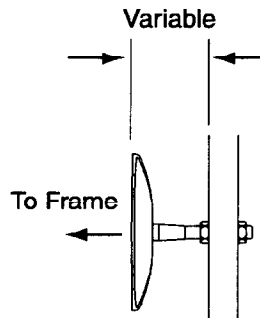
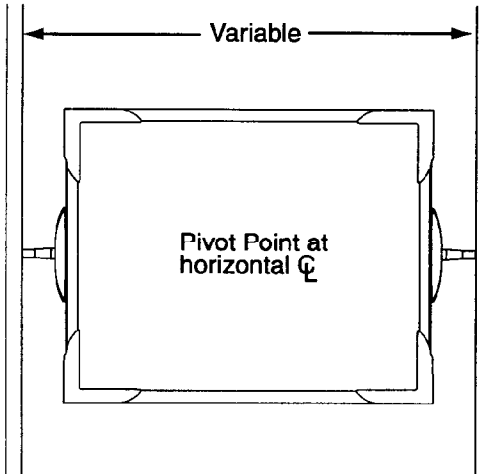


Some Special Installation Options

ARC Framing System -
More Mounting Options



**SPECIAL
INSTALLATION**



Suspends between two vertical
structural supports.

Cable tensioning mechanism
located on side framing member.

OmniMount Systems, Inc.
The Pointe at South Mountain
8201 South 48th Street
Phoenix, Arizona 85044-5355

800-MOUNT-IT! (668-6848)
602-829-8000
fax: 602-756-9000
www.omnimount.com

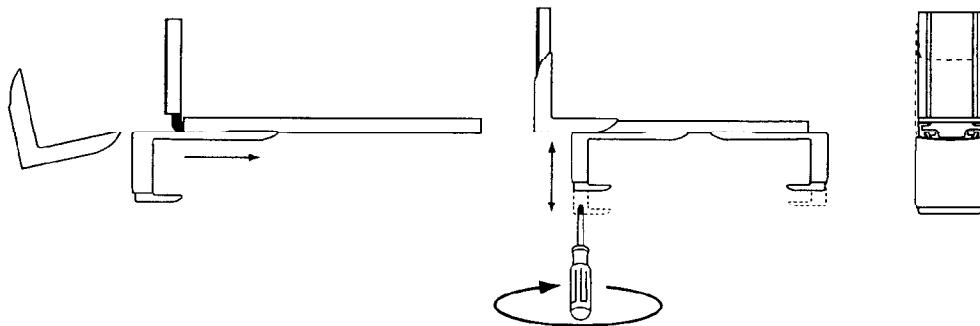
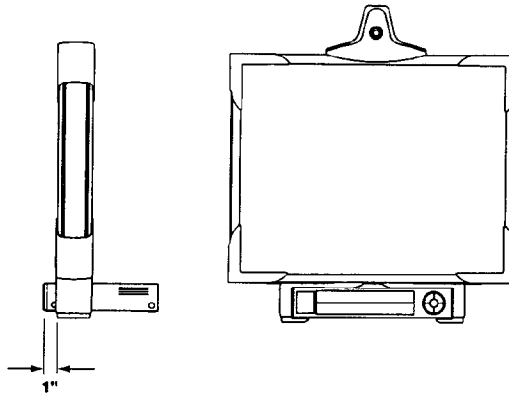
DS#0014 Rev. A 5-99



Accessory Mounting Kit

For mounting VCR's, DVD players, satellite converters and similar devices to the ARC Frame. Telescoping covers match the ARC frame corner covers and hide the clamping mechanism.

The Accessory Mounting Kit slides into "T" slots in the bottom frame member conforming to the height and width dimensions of the device being mounted.



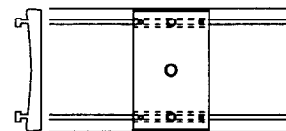
MOUNTING ACCESSORIES

Speaker Mounting Kit

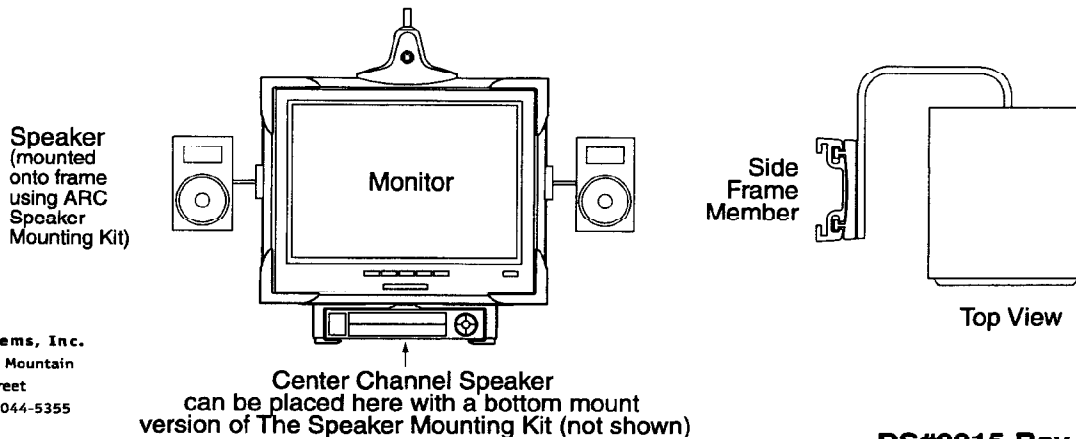
Speaker Mounting Kits are available for mounting speakers up to 8 lbs. and for speakers weighing from 9 - 15 lbs.

Ideal for mounting stereo left/right and/or center channel home theater speakers

Speaker Mounting Kits are available with or without the OmniMount 25 and 53 Series ball & clamp assemblies.



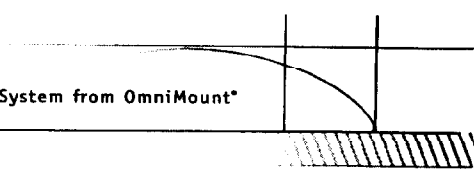
Speaker Mounting Kit components slide into ARC frame "T" slots



OmniMount Systems, Inc.
The Pointe at South Mountain
8201 South 48th Street
Phoenix, Arizona 85044-5355

800-MOUNT-IT! (668-6848)
602-829-8000
fax: 602-756-9000
www.omnimount.com

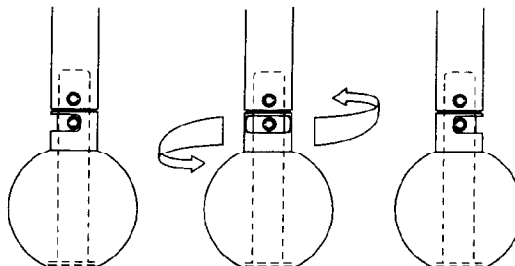
DS#0015 Rev. A 5-99



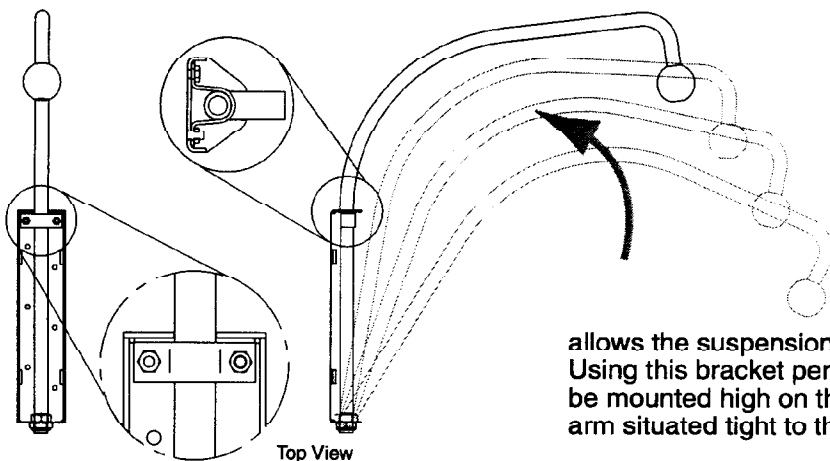
Factory Installed Swivel Accessory

Both the ball and clamp assembly and the fixed mount plate offer a "pre-selection" of desired angles and position. Once chosen, both the angle and position must be locked in place.

A swivel mechanism can be factory installed in wall and ceiling models (ARC/1, 2 & 3). This accessory is useful when frequent continuous panning (rotational) movement is desirable, *after* pre-selected angles are locked into place. Panning limit is 175° side to side.



Close-To-The-Ceiling Wall Bracket



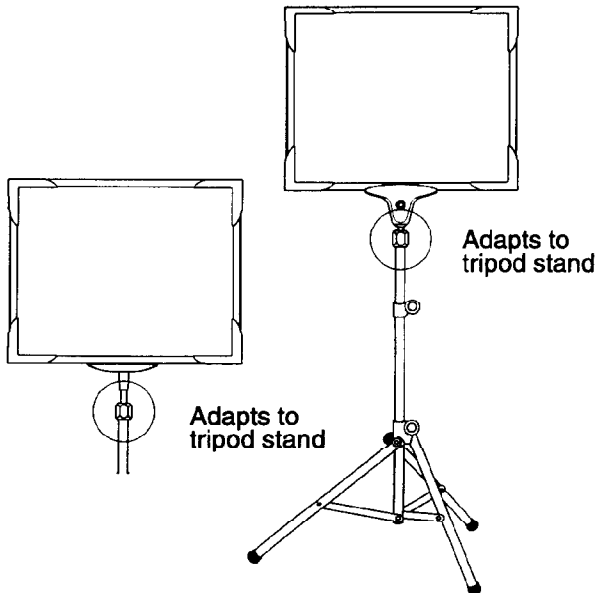
The standard wall bracket supplied with all ARC models requires clearance to the ceiling. This is necessary so that the suspension arm can slide into place through the top hole in the bracket.

The Close-To-The-Ceiling wall bracket allows the suspension arm to pivot into place. Using this bracket permits the suspension arm to be mounted high on the wall with the top of the arm situated tight to the ceiling

MORE MOUNTING ACCESSORIES

Tripod Stand Adapters

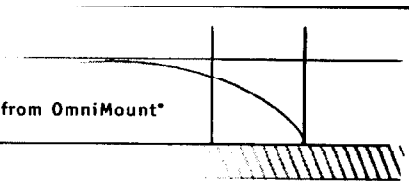
TPD-1 & TPD-2
Tripod stand adapters can also be used with ARC/1 & 2 categories, providing that the tripod stand has the strength, a wide enough stance (foot print) and adequate top stability in conformance with existing standards - to safely support the load.



OmniMount Systems, Inc.
The Pointe at South Mountain
8201 South 48th Street
Phoenix, Arizona 85044-5355

600-MOUNT-IT! (608-6848)
602-829-8000
fax: 602-756-9000
www.omnimount.com

DS#0016 Rev. A 5-99



ARC PARTIAL LIST OF PART NUMBERS

ARC 1

PART #	DESCRIPTION
A400006	HEX WRNCH 3/32 LONG ARM
402065	HEX WRNCH 5/32 X 4 3/8LONG ARM
A400012	SCRW ALNBTNCP 1/4-20 X 1 BLK
A700061	CORNER COVER SMALL OUTSIDE BRZ
A600801	FRAMING SYSTEM ARC LABEL
A600000	INSTRUCTIONS WALL ASSEMBLY
A800700	NAMEPLATE OMNIMOUNT SMALL

ARC 2

PART #	DESCRIPTION
A400006	HEX WRNCH 3/32 LONG ARM
402065	HEX WRNCH 5/32 X 4 3/8LONG ARM
A400012	SCRW ALNBTNCP 1/4-20 X 1BLK
A700061	CORNER COVER SMALL OUTSIDE BRZ
A600801	FRAMING SYSTEM ARC LABEL
A600000	INSTRUCTIONS WALL ASSEMBLY
A800700	NAMEPLATE OMNIMOUNT SMALL

ARC 3

PART #	DESCRIPTION
A400006	HEX WRNCH 3/32 LONG ARM
402065	HEX WRNCH 5/32 X 4 3/8LONG ARM
A400012	SCRW ALNBTNCP 1/4-20 X 3/4 BLK
A403012	SCRW ALNBTNCP 1/4-20 X 1 BLK
A300061	CORNER COVER LARGE OUTSIDE BRZ
A600801	FRAMING SYSTEM ARC LABEL
A600000	INSTRUCTIONS WALL ASSEMBLY
A800700	NAMEPLATE OMNIMOUNT SMALL

SUB ASSEMBLY PART NUMBERS

TENSIONING SYSTEMS

ARC 1	A800401
ARC 2	A800401
ARC 3	A800403
ARC PD	A800600

CLAMP / JAW ASSEMBLY

ARC 1	A700000
ARC 2	A100000
ARC 3	A300000
ARC PD	A100000

OUTER CORNER COVER

ARC 1	A700061
ARC 2	A700061
ARC 3	A300061
ARC PD	A700061

WALL BRACKET ASSEMBLY

ARC 1	A500100
ARC 2	A500101
ARC 3	A500102
ARC PD	A500101

PIPE ADAPTER

ARC 1	A200101
ARC 2	A200102
ARC 3	A200103
ARC PD	A200102

ARC SUSP. ARM SWIVEL

ARC 1	A500010
ARC 2	A500011
ARC 3	A500012
ARC PD	A500011

TENSIONING CABLES

ARC 1	A800065
ARC 2	A800066
ARC 3	A800066
ARC PD	A800066

FIXED MOUNT

ARC 1	A700041
ARC 2	A100041
ARC 3	A300041
ARC PD	A100041

INNER CORNER ASSEMBLY

ARC 1	A300065
ARC 2	A300065
ARC 3	A300066
ARC PD	A300065

CEILING BRACKET ASSEMBLY

ARC 1	A500200
ARC 2	A500201
ARC 3	A500202
ARC PD	A500201

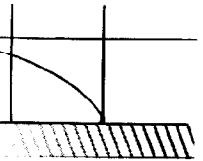
THREADED ADAPTER

ARC 1	A200111
ARC 2	A200112
ARC 3	A200113
ARC PD	A200112

OmniMount Systems, Inc.
The Pointe at South Mountain
8201 South 48th Street
Phoenix, Arizona 85044-5355

800-MOUNT-IT! (668-6848)
602-829-8000
fax: 602-756-9000
www.omnimount.com

DS#0017 Rev. A 5-99



ARC INQUIRY FAX FORM

Page 1 of 2

Today's Date: ___/___/___

Important! Photocopy this form if mount is for more than one TV monitor

Customer profile: Circle One (Professional, Consumer, Reseller, OEM, Rep. firm)

Describe: _____

Company name: _____

Contact name: _____

Address: _____

Phone: () _____ (ext.) _____

Fax: () _____

How did you hear about ARC products? Trade Magazine, Media, Referral, Other
(Please explain)

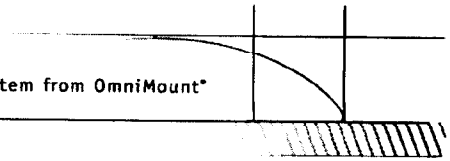
Check All That Apply

- | | | |
|--------------------------------------|-----------|----------|
| Send literature | Yes _____ | No _____ |
| Follow Up | Yes _____ | No _____ |
| Will call back with more information | Yes _____ | No _____ |
| Send pricing and availability | Yes _____ | No _____ |

Inquiry Form DS#0018 Rev. A 5-99

OmniMount Systems, Inc.
The Pointe at South Mountain
8201 South 48th Street
Phoenix, Arizona 85044-5355

800-MOUNT-IT! (668-6848)
602-829-8000
fax: 602-756-9000
www.omnimount.com



ARC INQUIRY FAX FORM

Page 2 of 2

Today's Date: ___/___/___

TV monitor: _____, _____
Make Model

Screen diagonal: (e.g. 19", 27", 35" etc.) _____

ASPECT RATIO: (4:3, 16:9, MULTI)

Dimensions: _____ H x _____ W x _____ D

TV monitor weight: _____ LBS.

Quantity _____ (each)

Anticipated need date ___/___/___

Check All That Apply

Monitor Type	Consumer	_____	Professional	_____
Cabinet structure	Plastic	_____	Metal	_____
Mounting to	Wall	_____	Ceiling	_____
Mounting method	Supported	_____	Suspended	_____
	Underneath	_____	Overhead	_____

Accessories

Plumbing pipe adapter (for installation above a suspended ceiling using a pipe extension)

C-clamp adapter kit (Support from lighting grid or tubular truss)

Other? Type of mounting method (explain) _____

Frame Connector

Clamp & ball assembly Yes _____ No _____

Fixed mount Yes _____ No _____

Fixed mount with custom bend at tube Yes _____ No _____

Tilt angle for custom bend _____ °

Inquiry Form DS#0019 Rev. A 5-00

OmniMount Systems, Inc.
The Pointe at South Mountain
8201 South 48th Street
Phoenix, Arizona 85044-5355

800-MOUNT-IT! (668-6848)
602-829-8000
fax: 602-756-9000
www.omnimount.com

