



The ARC[®] Framing System from OmniMount[®]

Contact OmniMount Systems with your specific application requirements or for technical support.

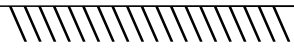
OmniMount Systems, Inc.
1.800.MOUNT-IT! (1.800.668.6848)
fax: 480.756.9000
www.omnimount.com

*NOTE: Commercial User Net Price List should not be construed as a Manufacturers' Suggested Retail Price List (MSRP). The pricing indicated herein is available only to qualified commercial accounts that meet specific terms and conditions of sale.



ARC Table of Contents

Reference Guide	1-3
General Information	4-5
Basic Attachment Options	
Adjustable Mount	
Fixed Mount	
Factory Installed Swivel Option	
Ceiling Hugger Wall Bracket	
Field Installation Kits	
Quick Installation Kit	
Standard Size Frames	
Accessory Mounting Kit	
Speaker Mounting Kit	
Pricing (Commercial User Net)	6-13
Terms and Conditions of Sale	14
Custom Examples	15-16
The Inner Workings of the ARC Framing System	17-18
Most Frequently Used Combinations	20



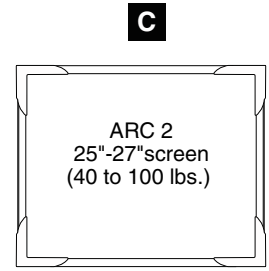
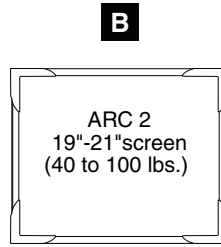
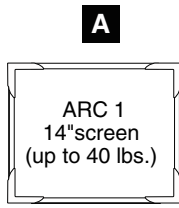
How to use this Visual Reference Guide

Pages 1, 2 & 3 consist of an overview of ARC choices.

Use these first 3 pages to narrow down the type of mounting solution that best fits your situation.

Frames and Mounting Kits are priced separately.

FRAMES



Three Selection Steps

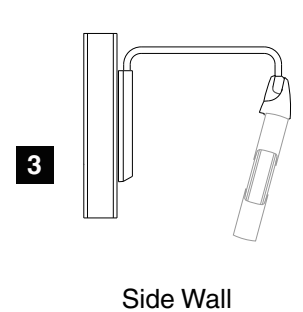
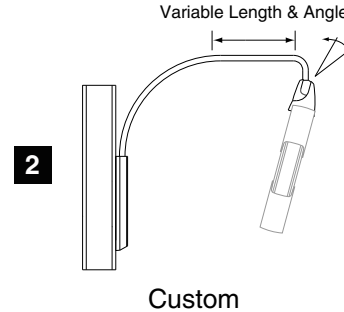
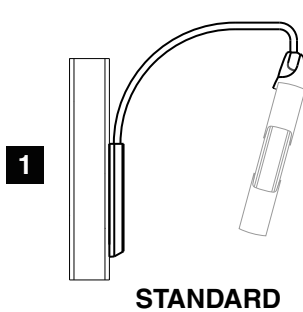
1st Select a frame based on the overall monitor size.

Frames shown as fitting **most** screen sizes.

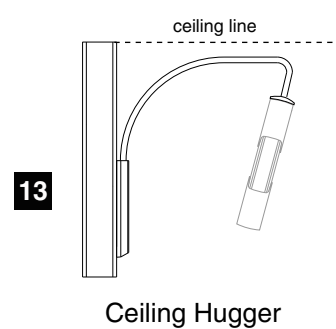
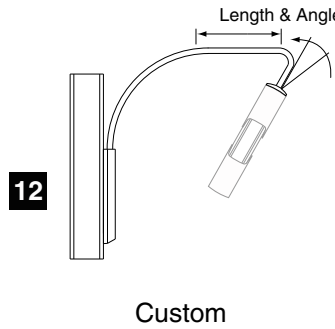
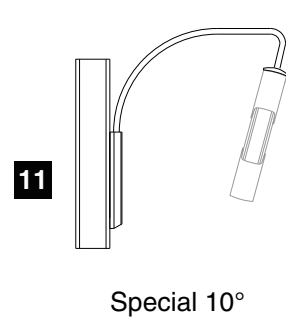
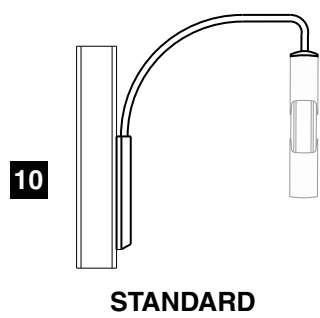
2nd Select the mount based on application.

3rd Select accessories (if necessary).

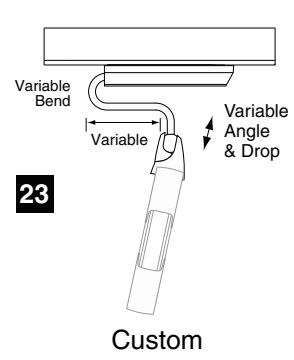
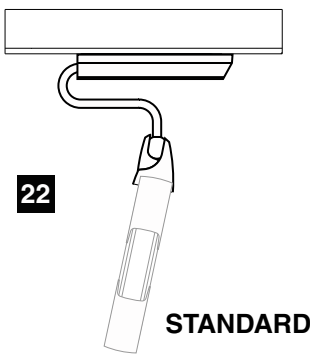
WALL MOUNT KIT Adjustable Ball & Clamp



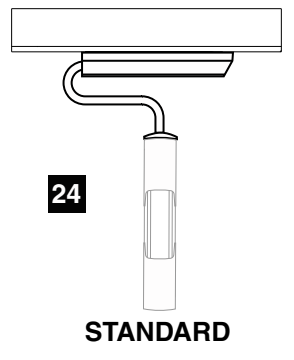
WALL MOUNT KIT Fixed



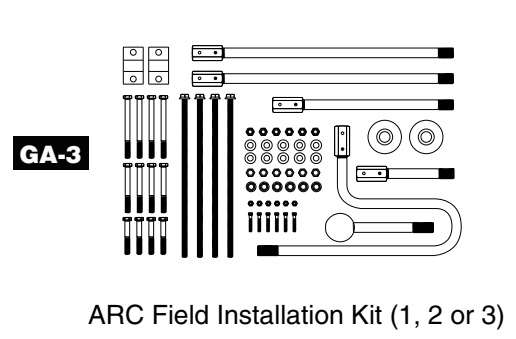
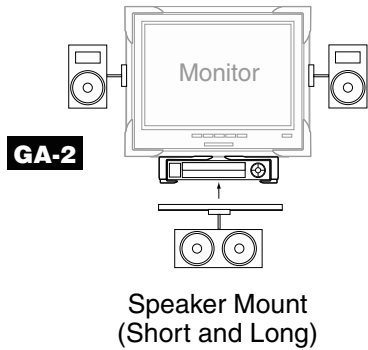
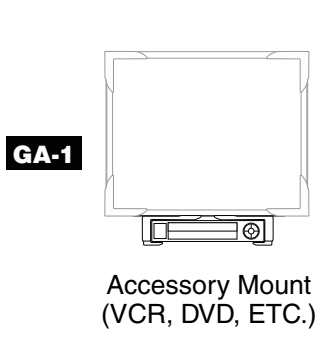
CEILING MOUNT KIT Adjustable Ball & Clamp

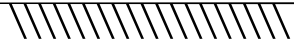


CEILING MOUNT KIT Fixed



GENERAL ACCESSORIES





FRAMES
Continued

D

ARC 3
27"screen
(over 100 lbs.)

E

ARC 3
32"-35"screen
(up to 150 lbs. Wall;
250 lbs. Ceiling)

F

ARC 3
36"screen
(up to 150 lbs. Wall;
250 lbs. Ceiling)

G

ARC 2 FPD
For Flat Panel
Displays
(up to 125 lbs.)

WALL MOUNT KIT Adjustable Ball & Clamp
Continued

4

Ceiling Hugger

5

Ceiling Hugger Custom

6

Wall Supported
*All wall supported mounts are ARC 1 only

WALL MOUNT KIT Fixed
Continued

14

Ceiling Hugger
Special 10°

15

Ceiling Hugger
Custom

16

Wall Supported

17

Wall Supported
Special 10°

CEILING MOUNT KIT Fixed
Continued

25

Special 10°

26

Custom

27

STANDARD

28

Custom

VARIABLE HEIGHT/ Suspended Ceiling Mount Adjustable Ball & Clamp

* ALL Variable Height/Suspended Ceiling Mounts (Adjustable or Fixed) will require a choice of accessories from below.

GENERAL ACCESSORIES
Continued

GA-4

ARC Quick Installation Kit

32

Pipe Adapter

33

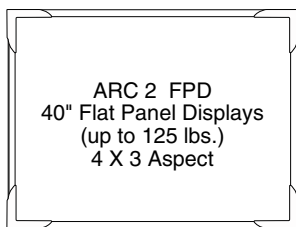
Vaulted Ceiling

VARIABLE HEIGHT/ Suspended Ceiling Mount Accessories



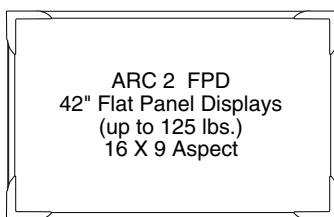
FRAMES
Continued

H



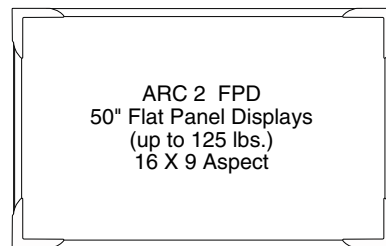
ARC 2 FPD
40" Flat Panel Displays
(up to 125 lbs.)
4 X 3 Aspect

I



ARC 2 FPD
42" Flat Panel Displays
(up to 125 lbs.)
16 X 9 Aspect

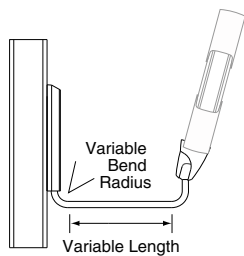
J



ARC 2 FPD
50" Flat Panel Displays
(up to 125 lbs.)
16 X 9 Aspect

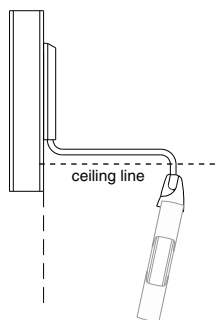
WALL MOUNT KIT
Adjustable Ball & Clamp
Continued

7



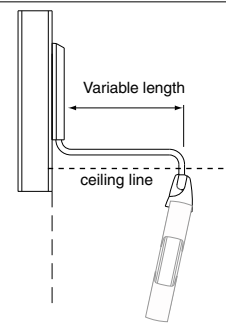
Wall Supported Custom

8



"S" Bend

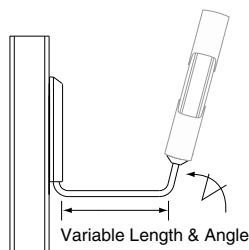
9



"S" Bend Custom

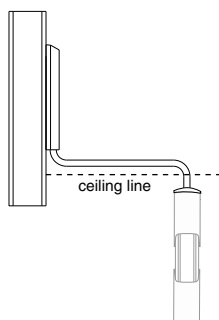
WALL MOUNT KIT
Fixed
Continued

18



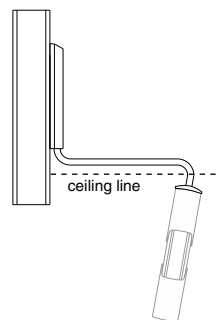
Wall Supported Custom

19



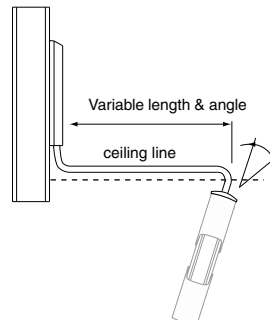
"S" Bend

20



"S" Bend Special 10°

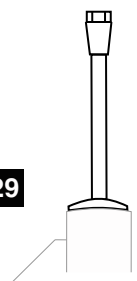
21



"S" Bend Custom

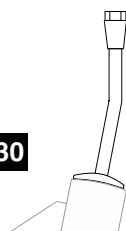
VARIABLE HEIGHT/
Suspended Ceiling Mount
Fixed

29



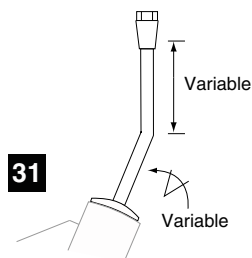
STANDARD

30



Special 10°

31

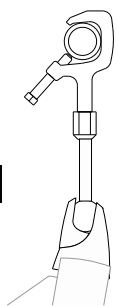


Custom

* ALL Variable Height/Suspended Ceiling Mounts (Adjustable or Fixed) will require a choice of accessories from below.

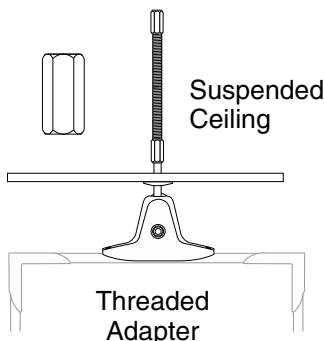
VARIABLE HEIGHT/
Suspended Ceiling Mount
Accessories
Continued

34



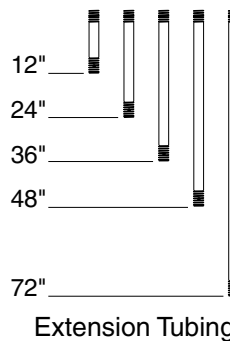
"C" Clamp

35



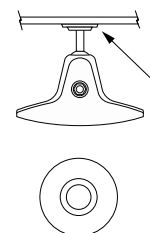
Threaded Adapter

36



Extension Tubing

37

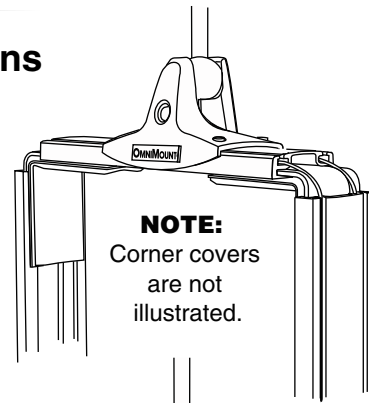


Escutcheon Ring
(Dress Down Flange)

ARC Framing System – Basic Attachment Options

Adjustable Mount – Gives Omnidirectional positioning for both pan and tilt.

Most popular type of attachment to frame since it allows the greatest flexibility in achieving the broadest and most precise adjustment of desired viewing angles. Provides real advantages at the job site where viewing angles and precise positioning requirements may be unknown, or may require fine tuning. For continuous panning, see "Factory Installed Swivel Option".

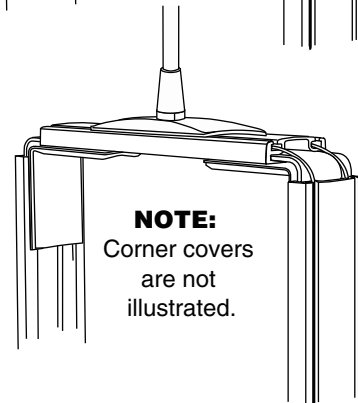


Fixed Mount - Panning function is available. Tilt is not available.

A sleek, low-profile option when the desired tilt angle is known prior to installation.

The fixed mount attachment option sits nearly flat against the frame thus providing a lower profile than the ball and clamp assembly option.

Adjustability is limited to rotational panning during installation at the point of frame attachment only. For continuous panning, see "Factory Installed Swivel Option".

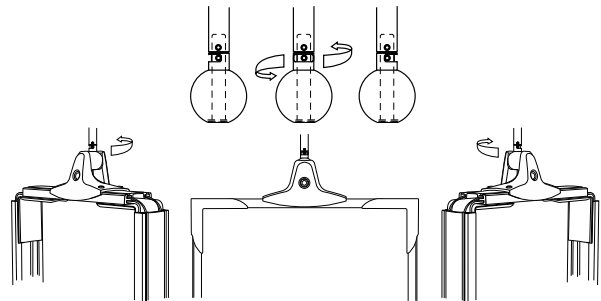


Factory Installed Swivel Option

Both the adjustable and the fixed mount options offer various angles and positions. Once chosen, both the angle and position must be locked in place.

A swivel mechanism can be factory installed in wall and ceiling models (ARC 1, 2 & 3). This option is useful when frequent continuous panning (rotational) movement is desirable, *after* desired viewing angles are locked into place.

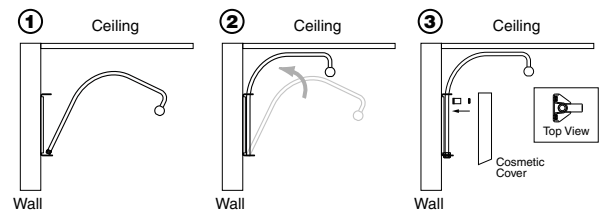
Panning limit is 175° side to side.



Ceiling Hugger Wall Bracket

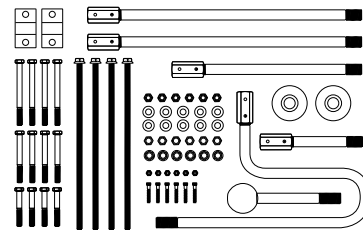
The standard wall bracket supplied with all ARC models requires clearance to the ceiling. This is necessary so that the suspension arm can slide into place through the top hole of the bracket.

The Ceiling Hugger Wall Bracket allows the suspension arm to pivot into place. Using this bracket permits the suspension arm to be mounted high on the wall with the top of the arm situated tight to the ceiling.



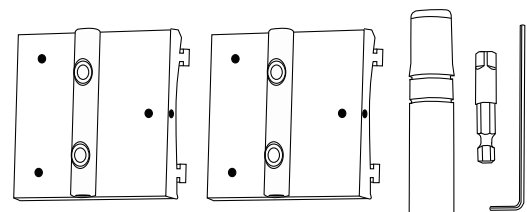
Field Installation Kits

ARC Field Installation Kits offer problem solving solutions for unexpected changes during installation. Kit includes a wide variety of appropriate fittings to eliminate hours of downtime and frustration. For large quantity installations custom configurations can be assembled to meet your installation needs.

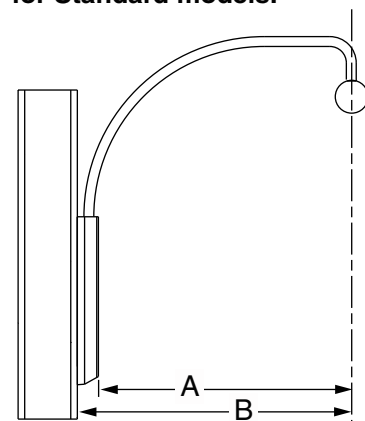


Quick Installation Kit

ARC Quick Installation Kit includes tools to make installation easier and faster. Two wire guides make initial tensioning of the frame a snap. A special deep socket with drill motor adapter lets you use your cordless drill to do final tensioning of the ARC frame quickly and easily. A must for anyone doing multiple ARC installations.



**Dimensions from the wall
for Standard models.**



A = From the face of the bracket cover to the centerline of the ball
B = From the wall surface to the centerline of the ball

	ARC 1	ARC 2	ARC 3
A	14 1/2"	19"	21 1/2"
B	16"	20 5/8"	23 3/4"

* Tolerance $\pm 1/16"$

ARC Standard Size Frames

OVERALL MONITOR DIMENSIONS*

ARC FRAME		WIDTH		HEIGHT	
		MIN.	MAX.	MIN.	MAX.
ARC 1	- 14"	12.5"	17.5"	13"	18"
ARC 2	- 19"-21"	18.5"	23.5"	17"	22"
ARC 2	- 25"-27"	25.5"	30.5"	23"	28"
ARC 3	- 27"	25.5"	30.5"	23"	28"
ARC 3	- 32"-35"	30"	41.5"	27.25"	38.75"
ARC 3	- 36"	*	*	*	*

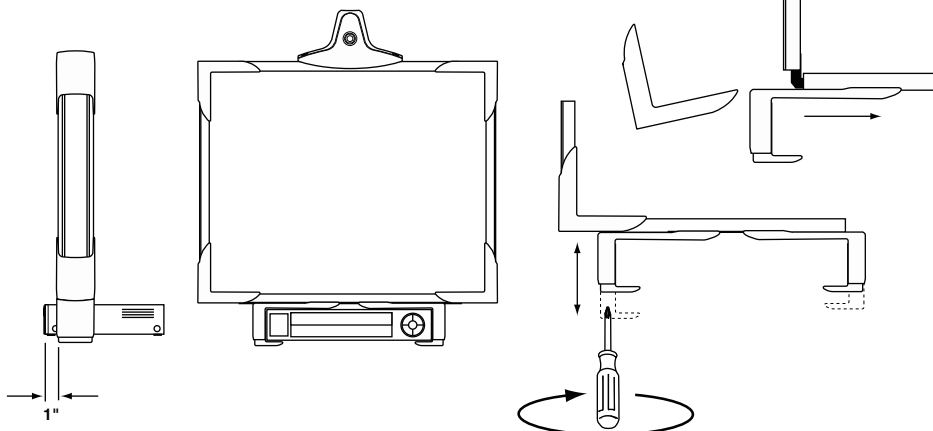
* If your monitor's dimensions are not shown on this chart, please contact OmniMount Systems and a frame will be custom-made to the specifications of the buyer.

General Accessories

Accessory Mounting Kit

For mounting VCR's, DVD players, satellite converters and similar devices to the ARC Frame. Telescoping covers match the ARC frame corner covers and hide the clamping mechanism.

The Accessory Mounting Kit slides into "T" slots in the bottom frame member conforming to the height and width dimensions of the device being mounted.



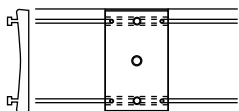
Speaker Mounting Kit

Speaker Mounting Kits are available for mounting speakers up to 8 lbs. and for speakers weighing from 9 - 15 lbs.

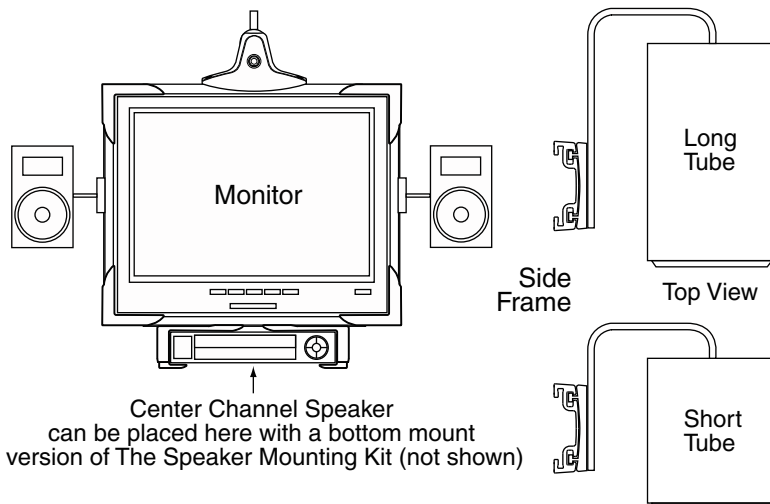
Ideal for mounting stereo left/right and/or center channel home theater speakers

Speaker Mounting Kits are available with or without the OmniMount 25 and 53 Series ball & clamp assemblies.

Speaker Mounting Kit components slide into ARC frame "T" slots



Speaker (mounted onto frame using ARC Speaker Mounting Kit)



Center Channel Speaker can be placed here with a bottom mount version of The Speaker Mounting Kit (not shown)



ARC PRICING

Effective April 1, 2001

This pricing supercedes all other pricing.

NOTES: Illustrations show one configuration for ARC 1, ARC 2 and ARC 3 products. Make your specifying decisions based on size, weight and other appropriate variables. Your order for a complete ARC Framing System must include:

1. The ARC Frame (designated by a letter).
2. A separate kit or items (designated by one or more item #s) required for connecting the frame to a mounting surface (i.e. wall or ceiling).
3. Accessories may also be required (designated by the appropriate item #s).

FRAMES (MODEL BASED ON SCREEN SIZES) / Illustrations **A - J**

	DESCRIPTION	ITEM #	COMMERCIAL USER NET
A	ARC 1 14" FRAME	AFRM1-14	\$149.98
B	ARC 2 19"-21" FRAME	AFRM2-21	\$159.98
C	ARC 2 25"-27" FRAME	AFRM2-27	\$179.98
D	ARC 3 27" FRAME	AFRM3-27	\$289.98
E	ARC 3 32"-35" FRAME	AFRM3-32	\$309.98
F	ARC 3 36" FRAME	AFRM3-36	\$329.98
G	ARC 2 SINGLE EXTRUSION FPD FRAME	AFRM2-FP-SE	\$159.98
H	ARC 2 40" FLAT PANEL DISPLAY FRAME	AFRM2-FP-40	\$409.98
I	ARC 2 42" FLAT PANEL DISPLAY FRAME	AFRM2-FP-42	\$429.98
J	ARC 2 50" FLAT PANEL DISPLAY FRAME	AFRM2-FP-50	\$459.98

WALL MOUNT KITS - ADJUSTABLE - STANDARD / Illustration **1**

	DESCRIPTION	ITEM #	COMMERCIAL USER NET
	STD ADJ WALL KIT ARC 1	A1-1	\$99.97
	STD ADJ WALL KIT w/SWIVEL ARC 1	A1S-1	\$149.97
	STD ADJ WALL KIT ARC 2	A2-1	\$119.97
	STD ADJ WALL KIT w/SWIVEL ARC 2	A2S-1	\$169.97
	STD ADJ WALL KIT ARC 3	A3-1	\$169.97
	STD ADJ WALL KIT w/SWIVEL ARC 3	A3S-1	\$229.97

WALL MOUNT KITS - ADJUSTABLE - CUSTOM / Illustration **2**

	DESCRIPTION	ITEM #	COMMERCIAL USER NET
	CST ADJ WALL KIT ARC 1	A1-1X2	\$99.97
	CST ADJ WALL KIT w/SWIVEL ARC 1	A1S-1X2	\$149.97
	CST ADJ WALL KIT ARC 2	A2-1X2	\$119.97
	CST ADJ WALL KIT w/SWIVEL ARC 2	A2S-1X2	\$169.97
	CST ADJ WALL KIT ARC 3	A3-1X2	\$169.97
	CST ADJ WALL KIT w/SWIVEL ARC 3	A3S-1X2	\$229.97

WALL MOUNT KITS - ADJUSTABLE - SIDE WALL / Illustration **3**

	DESCRIPTION	ITEM #	COMMERCIAL USER NET
	SW ADJ WALL KIT ARC 1	A1-1X3	\$99.97
	SW ADJ WALL KIT w/SWIVEL ARC 1	A1S-1X3	\$149.97
	SW ADJ WALL KIT ARC 2	A2-1X3	\$119.97
	SW ADJ WALL KIT w/SWIVEL ARC 2	A2S-1X3	\$169.97
	SW ADJ WALL KIT ARC 3	A3-1X3	\$169.97
	SW ADJ WALL KIT w/SWIVEL ARC 3	A3S-1X3	\$229.97



WALL MOUNT KITS - ADJUSTABLE - CEILING HUGGER / Illustration 4

DESCRIPTION	ITEM #	COMMERCIAL USER NET
CH ADJ WALL KIT ARC 1	A1-1X4	\$99.97
CH ADJ WALL KIT w/SWIVEL ARC 1	A1S-1X4	\$149.97
CH ADJ WALL KIT ARC 2	A2-1X4	\$119.97
CH ADJ WALL KIT w/SWIVEL ARC 2	A2S-1X4	\$169.97
CH ADJ WALL KIT ARC 3	A3-1X4	\$169.97
CH ADJ WALL KIT w/SWIVEL ARC 3	A3S-1X4	\$229.97

WALL MOUNT KITS - ADJUSTABLE - CEILING HUGGER / CUSTOM / Illustration 5

DESCRIPTION	ITEM #	COMMERCIAL USER NET
CS/CH ADJ WALL KIT ARC 1	A1-1X5	\$99.97
CS/CH ADJ WALL KIT w/SWIVEL ARC 1	A1S-1X5	\$149.97
CS/CH ADJ WALL KIT ARC 2	A2-1X5	\$119.97
CS/CH ADJ WALL KIT w/SWIVEL ARC 2	A2S-1X5	\$169.97
CS/CH ADJ WALL KIT ARC 3	A3-1X5	\$169.97
CS/CH ADJ WALL KIT w/SWIVEL ARC 3	A3S-1X5	\$229.97

SUPPORTED WALL MOUNT KITS - ADJUSTABLE / Illustration 6

DESCRIPTION	ITEM #	COMMERCIAL USER NET
SU ADJ WALL KIT ARC 1	A1-1X6	\$99.97
SU ADJ WALL KIT w/SWIVEL ARC 1	A1S-1X6	\$149.97

SUPPORTED WALL MOUNT KITS - ADJUSTABLE - CUSTOM / Illustration 7

DESCRIPTION	ITEM #	COMMERCIAL USER NET
CS/SU ADJ WALL KIT ARC 1	A1-1X7	\$99.97
CS/SU ADJ WALL KIT w/SWIVEL ARC 1	A1S-1X7	\$149.97

WALL MOUNT KITS - ADJUSTABLE - "S" BEND / Illustration 8

DESCRIPTION	ITEM #	COMMERCIAL USER NET
SB ADJ WALL KIT ARC 1	A1-1X8	\$99.97
SB ADJ WALL KIT w/SWIVEL ARC 1	A1S-1X8	\$149.97
SB ADJ WALL KIT ARC 2	A2-1X8	\$119.97
SB ADJ WALL KIT w/SWIVEL ARC 2	A2S-1X8	\$169.97
SB ADJ WALL KIT ARC 3	A3-1X8	\$169.97
SB ADJ WALL KIT w/SWIVEL ARC 3	A3S-1X8	\$229.97

WALL MOUNT KITS - ADJUSTABLE - "S" BEND - CUSTOM / Illustration 9

DESCRIPTION	ITEM #	COMMERCIAL USER NET
CS/SB ADJ WALL KIT ARC 1	A1-1X9	\$99.97
CS/SB ADJ WALL KIT w/SWIVEL ARC 1	A1S-1X9	\$149.97
CS/SB ADJ WALL KIT ARC 2	A2-1X9	\$119.97
CS/SB ADJ WALL KIT w/SWIVEL ARC 2	A2S-1X9	\$169.97
CS/SB ADJ WALL KIT ARC 3	A3-1X9	\$169.97
CS/SB ADJ WALL KIT w/SWIVEL ARC 3	A3S-1X9	\$229.97



WALL MOUNT KITS - FIXED - STANDARD / Illustration 10

DESCRIPTION	ITEM #	COMMERCIAL USER NET
STD FIXED WALL KIT ARC 1	A1F-10	\$79.97
STD FIXED WALL KIT w/SWIVEL ARC 1	A1FS-10	\$129.97
STD FIXED WALL KIT ARC 2	A2F-10	\$99.97
STD FIXED WALL KIT w/SWIVEL ARC 2	A2FS-10	\$149.97
STD FIXED WALL KIT ARC 3	A3F-10	\$149.97
STD FIXED WALL KIT w/SWIVEL ARC 3	A3FS-10	\$209.97

WALL MOUNT KITS - FIXED - SPECIAL / Illustration 11

DESCRIPTION	ITEM #	COMMERCIAL USER NET
SP FIXED WALL KIT ARC 1	A1F-10X11	\$79.97
SP FIXED WALL KIT w/SWIVEL ARC 1	A1FS-10X11	\$129.97
SP FIXED WALL KIT ARC 2	A2F-10X11	\$99.97
SP FIXED WALL KIT w/SWIVEL ARC 2	A2FS-10X11	\$149.97
SP FIXED WALL KIT ARC 3	A3F-10X11	\$149.97
SP FIXED WALL KIT w/SWIVEL ARC 3	A3FS-10X11	\$209.97

WALL MOUNT KITS - FIXED - CUSTOM / Illustration 12

DESCRIPTION	ITEM #	COMMERCIAL USER NET
CS FIXED WALL KIT ARC 1	A1F-10X12	\$79.97
CS FIXED WALL KIT w/SWIVEL ARC 1	A1FS-10X12	\$129.97
CS FIXED WALL KIT ARC 2	A2F-10X12	\$99.97
CS FIXED WALL KIT w/SWIVEL ARC 2	A2FS-10X12	\$149.97
CS FIXED WALL KIT ARC 3	A3F-10X12	\$149.97
CS FIXED WALL KIT w/SWIVEL ARC 3	A3FS-10X12	\$209.97

WALL MOUNT KITS - FIXED - CEILING HUGGER / Illustration 13

DESCRIPTION	ITEM #	COMMERCIAL USER NET
CH FIXED WALL KIT ARC 1	A1F-10X13	\$79.97
CH FIXED WALL KIT w/SWIVEL ARC 1	A1FS-10X13	\$129.97
CH FIXED WALL KIT ARC 2	A2F-10X13	\$99.97
CH FIXED WALL KIT w/SWIVEL ARC 2	A2FS-10X13	\$149.97
CH FIXED WALL KIT ARC 3	A3F-10X13	\$149.97
CH FIXED WALL KIT w/SWIVEL ARC 3	A3FS-10X13	\$209.97

WALL MOUNT KITS - FIXED - CEILING HUGGER / SPECIAL / Illustration 14

DESCRIPTION	ITEM #	COMMERCIAL USER NET
SP/CH FIXED WALL KIT ARC 1	A1F-10X14	\$79.97
SP/CH FIXED WALL KIT w/SWIVEL ARC 1	A1FS-10X14	\$129.97
SP/CH FIXED WALL KIT ARC 2	A2F-10X14	\$99.97
SP/CH FIXED WALL KIT w/SWIVEL ARC 2	A2FS-10X14	\$149.97
SP/CH FIXED WALL KIT ARC 3	A3F-10X14	\$149.97
SP/CH FIXED WALL KIT w/SWIVEL ARC 3	A3FS-10X14	\$209.97



WALL MOUNT KITS - FIXED - CEILING HUGGER / CUSTOM / Illustration 15

DESCRIPTION	ITEM #	COMMERCIAL USER NET
CS/CH FIXED WALL KIT ARC 1	A1F-10X15	\$79.97
CS/CH FIXED WALL KIT w/SWIVEL ARC 1	A1FS-10X15	\$129.97
CS/CH FIXED WALL KIT ARC 2	A2F-10X15	\$99.97
CS/CH FIXED WALL KIT w/SWIVEL ARC 2	A2FS-10X15	\$149.97
CS/CH FIXED WALL KIT ARC 3	A3F-10X15	\$149.97
CS/CH FIXED WALL KIT w/SWIVEL ARC 3	A3FS-10X15	\$209.97

SUPPORTED WALL MOUNT KITS - FIXED / Illustration 16

DESCRIPTION	ITEM #	COMMERCIAL USER NET
SU FIXED WALL KIT ARC 1	A1F-10X16	\$79.97
SU FIXED WALL KIT w/SWIVEL ARC 1	A1FS-10X16	\$129.97

SUPPORTED WALL MOUNT KITS - FIXED - SPECIAL / Illustration 17

DESCRIPTION	ITEM #	COMMERCIAL USER NET
SP/SU FIXED WALL KIT ARC 1	A1F-10X17	\$79.97
SP/SU FIXED WALL KIT w/SWIVEL ARC 1	A1FS-10X17	\$129.97

SUPPORTED WALL MOUNT KITS - FIXED - CUSTOM / Illustration 18

DESCRIPTION	ITEM #	COMMERCIAL USER NET
CU/SU FIXED WALL KIT ARC 1	A1F-10X18	\$79.97
CU/SU FIXED WALL KIT w/SWIVEL ARC 1	A1FS-10X18	\$129.97

WALL MOUNT KITS - FIXED - "S" BEND / Illustration 19

DESCRIPTION	ITEM #	COMMERCIAL USER NET
SB FIXED WALL KIT ARC 1	A1F-10X19	\$79.97
SB FIXED WALL KIT w/SWIVEL ARC 1	A1FS-10X19	\$129.97
SB FIXED WALL KIT ARC 2	A2F-10X19	\$99.97
SB FIXED WALL KIT w/SWIVEL ARC 2	A2FS-10X19	\$149.97
SB FIXED WALL KIT ARC 3	A3F-10X19	\$149.97
SB FIXED WALL KIT w/SWIVEL ARC 3	A3FS-10X19	\$209.97

WALL MOUNT KITS - FIXED - "S" BEND - SPECIAL / Illustration 20

DESCRIPTION	ITEM #	COMMERCIAL USER NET
SP/SB FIXED WALL KIT ARC 1	A1F-10X20	\$79.97
SP/SB FIXED WALL KIT w/SWIVEL ARC 1	A1FS-10X20	\$129.97
SP/SB FIXED WALL KIT ARC 2	A2F-10X20	\$99.97
SP/SB FIXED WALL KIT w/SWIVEL ARC 2	A2FS-10X20	\$149.97
SP/SB FIXED WALL KIT ARC 3	A3F-10X20	\$149.97
SP/SB FIXED WALL KIT w/SWIVEL ARC 3	A3FS-10X20	\$209.97



WALL MOUNT KITS - FIXED - "S" BEND - CUSTOM / Illustration 21

DESCRIPTION	ITEM #	COMMERCIAL USER NET
CU/SB FIXED WALL KIT ARC 1	A1F-10X21	\$79.97
CU/SB FIXED WALL KIT w/SWIVEL ARC 1	A1FS-10X2	\$129.97
CU/SB FIXED WALL KIT ARC 2	A2F-10X21	\$99.97
CU/SB FIXED WALL KIT w/SWIVEL ARC 2	A2FS-10X21	\$149.97
CU/SB FIXED WALL KIT ARC 3	A3F-10X21	\$149.97
CU/SB FIXED WALL KIT w/SWIVEL ARC 3	A3FS-10X21	\$209.97

CEILING MOUNT KITS - ADJUSTABLE - STANDARD / Illustration 22

DESCRIPTION	ITEM #	COMMERCIAL USER NET
STD ADJ CLG KIT ARC 1	A1-22	\$99.97
STD ADJ CLG KIT w/SWIVEL ARC 1	A1S-22	\$149.97
STD ADJ CLG KIT ARC 2	A2-22	\$119.97
STD ADJ CLG KIT w/SWIVEL ARC 2	A2S-22	\$169.97
STD ADJ CLG KIT ARC 3	A3-22	\$169.97
STD ADJ CLG KIT w/SWIVEL ARC 3	A3S-22	\$229.97

CEILING MOUNT KITS - ADJUSTABLE - CUSTOM / Illustration 23

DESCRIPTION	ITEM #	COMMERCIAL USER NET
CU ADJ CLG KIT ARC 1	A1-22X23	\$99.97
CU ADJ CLG KIT w/SWIVEL ARC 1	A1S-22X23	\$149.97
CU ADJ CLG KIT ARC 2	A2-22X23	\$119.97
CU ADJ CLG KIT w/SWIVEL ARC 2	A2S-22X23	\$169.97
CU ADJ CLG KIT ARC 3	A3-22X23	\$169.97
CU ADJ CLG KIT w/SWIVEL ARC 3	A3S-22X23	\$229.97

CEILING MOUNT KITS - FIXED - STANDARD / Illustration 24

DESCRIPTION	ITEM #	COMMERCIAL USER NET
STD FIXED CLG KIT ARC 1	A1F-24	\$79.97
STD FIXED CLG KIT w/SWIVEL ARC 1	A1FS-24	\$129.97
STD FIXED CLG KIT ARC 2	A2F-24	\$99.97
STD FIXED CLG KIT w/SWIVEL ARC 2	A2FS-24	\$149.97
STD FIXED CLG KIT ARC 3	A3F-24	\$149.97
STD FIXED CLG KIT w/SWIVEL ARC 3	A3FS-24	\$209.97

CEILING MOUNT KITS - FIXED - SPECIAL / Illustration 25

DESCRIPTION	ITEM #	COMMERCIAL USER NET
SP FIXED CLG KIT ARC 1	A1F-24X25	\$79.97
SP FIXED CLG KIT w/SWIVEL ARC 1	A1FS-24X25	\$129.97
SP FIXED CLG KIT ARC 2	A2F-24X25	\$99.97
SP FIXED CLG KIT w/SWIVEL ARC 2	A2FS-24X25	\$149.97
SP FIXED CLG KIT ARC 3	A3F-24X25	\$149.97
SP FIXED CLG KIT w/SWIVEL ARC 3	A3FS-24X25	\$209.97



CEILING MOUNT KITS - FIXED - CUSTOM / Illustration 26

DESCRIPTION	ITEM #	COMMERCIAL USER NET
CU FIXED CLG KIT ARC 1	A1F-24X26	\$79.97
CU FIXED CLG KIT w/SWIVEL ARC 1	A1FS-24X26	\$129.97
CU FIXED CLG KIT ARC 2	A2F-24X26	\$99.97
CU FIXED CLG KIT w/SWIVEL ARC 2	A2FS-24X26	\$149.97
CU FIXED CLG KIT ARC 3	A3F-24X26	\$149.97
CU FIXED CLG KIT w/SWIVEL ARC 3	A3FS-24X26	\$209.97

CEILING MOUNT KITS - ADJUSTABLE SUSPENSION - STANDARD / Illustration 27

DESCRIPTION	ITEM #	COMMERCIAL USER NET
STD ADJ SUS/CLG KIT ARC 1	A1-27	\$69.97
STD ADJ SUS/CLG KIT w/SWIVEL ARC 1	A1S-27	\$119.97
STD ADJ SUS/CLG KIT ARC 2	A2-27	\$89.97
STD ADJ SUS/CLG KIT w/SWIVEL ARC 2	A2S-27	\$139.97
STD ADJ SUS/CLG KIT ARC 3	A3-27	\$139.97
STD ADJ SUS/CLG KIT w/SWIVEL ARC 3	A3S-27	\$199.97

CEILING MOUNT KITS - ADJUSTABLE SUSPENSION - CUSTOM / Illustration 28

DESCRIPTION	ITEM #	COMMERCIAL USER NET
CS ADJ SUS/CLG KIT ARC 1	A1-27X28	\$69.97
CS ADJ SUS/CLG KIT w/SWIVEL ARC 1	A1S-27X28	\$119.97
CS ADJ SUS/CLG KIT ARC 2	A2-27X28	\$89.97
CS ADJ SUS/CLG KIT w/SWIVEL ARC 2	A2S-27X28	\$139.97
CS ADJ SUS/CLG KIT ARC 3	A3-27X28	\$139.97
CS ADJ SUS/CLG KIT w/SWIVEL ARC 3	A3S-27X28	\$199.97

CEILING MOUNT KITS - FIXED SUSPENSION - STANDARD / Illustration 29

DESCRIPTION	ITEM #	COMMERCIAL USER NET
STD FIXED SUS/CLG KIT ARC 1	A1F-29	\$49.97
STD FIXED SUS/CLG KIT w/SWIVEL ARC 1	A1FS-29	\$99.97
STD FIXED SUS/CLG KIT ARC 2	A2F-29	\$69.97
STD FIXED SUS/CLG KIT w/SWIVEL ARC 2	A2FS-29	\$119.97
STD FIXED SUS/CLG KIT ARC 3	A3F-29	\$119.97
STD FIXED SUS/CLG KIT w/SWIVEL ARC 3	A3FS-29	\$179.97

CEILING MOUNT KITS - FIXED SUSPENSION - SPECIAL / Illustration 30

DESCRIPTION	ITEM #	COMMERCIAL USER NET
SP FIXED SUS/CLG KIT ARC 1	A1F-29X30	\$49.97
SP FIXED SUS/CLG KIT w/SWIVEL ARC 1	A1FS-29X30	\$99.97
SP FIXED SUS/CLG KIT ARC 2	A2F-29X30	\$69.97
SP FIXED SUS/CLG KIT w/SWIVEL ARC 2	A2FS-29X30	\$119.97
SP FIXED SUS/CLG KIT ARC 3	A3F-29X30	\$119.97
SP FIXED SUS/CLG KIT w/SWIVEL ARC 3	A3FS-29X30	\$179.97



CEILING MOUNT KITS - FIXED SUSPENSION - CUSTOM / Illustration 31

DESCRIPTION	ITEM #	COMMERCIAL USER NET
CS FIXED SUS/CLG KIT ARC 1	A1F-29X31	\$49.97
CS FIXED SUS/CLG KIT w/SWIVEL ARC 1	A1FS-29X31	\$99.97
CS FIXED SUS/CLG KIT ARC 2	A2F-29X31	\$69.97
CS FIXED SUS/CLG KIT w/SWIVEL ARC 2	A2FS-29X31	\$119.97
CS FIXED SUS/CLG KIT ARC 3	A3F-29X31	\$119.97
CS FIXED SUS/CLG KIT w/SWIVEL ARC 3	A3FS-29X31	\$179.97

VARIABLE HEIGHT/SUSPENDED CEILING MOUNT ACCESSORIES

PIPE ADAPTERS / Illustration 32

DESCRIPTION	MODEL #	COMMERCIAL USER NET
ARC 1 FOR 3/4" PIPE	A1-P A-3/4	\$9.95
ARC 1 FOR 1 1/2" PIPE	A1-P A-1 1/2	\$39.95
ARC 2 FOR 1" PIPE	A2-P A-1	\$19.95
ARC 2 FOR 1 1/2" PIPE	A2-P A-1 1/2	\$39.95
ARC 3 FOR 1 1/2" PIPE	A3-P A-1 1/2	\$39.95

VAULTED CEILING ADAPTER / Illustration 33

DESCRIPTION	MODEL #	COMMERCIAL USER NET
ARC 1 VAULTED CEILING ADAPTER	A1-V A	\$79.95
ARC 2 VAULTED CEILING ADAPTER	A2-V A	\$99.95
ARC 3 VAULTED CEILING ADAPTER	A3-V A	\$119.95

C-CLAMP CEILING ADAPTER / Illustration 34

DESCRIPTION	MODEL #	COMMERCIAL USER NET
ARC 1 C-CLAMP CEILING ADAPTER	A1-CC	\$24.95
ARC 2 C-CLAMP CEILING ADAPTER	A2-CC	\$34.95
ARC 3 C-CLAMP CEILING ADAPTER	A3-CC	\$49.95

THREADED ADAPTERS (TA) / Illustration 35

DESCRIPTION	MODEL #	COMMERCIAL USER NET
ARC 1 FOR 1/2"-20 THREADS	A1-T A	\$9.95
ARC 2 FOR 5/8"-18 THREADS	A2-T A	\$19.95
ARC 3 FOR 1"-14 THREADS	A3-T A	\$39.95



THREADED EXTENSIONS (TA NEEDED) / Illustration 36

DESCRIPTION	MODEL #	COMMERCIAL USER NET
ARC 1-- 12" EXTENSION	A1-TX12	\$19.95
ARC 1-- 24" EXTENSION	A1-TX24	\$29.95
ARC 1-- 36" EXTENSION	A1-TX36	\$39.95
ARC 1-- 48" EXTENSION	A1-TX48	\$49.95
ARC 1--72" EXTENSION	A1-TX72	\$69.95
ARC 2-- 12" EXTENSION	A2-TX12	\$14.95
ARC 2-- 24" EXTENSION	A2-TX24	\$19.95
ARC 2-- 36" EXTENSION	A2-TX36	\$29.95
ARC 2-- 48" EXTENSION	A2-TX48	\$39.95
ARC 2--72" EXTENSION	A2-TX72	\$49.95
ARC 3-- 12" EXTENSION	A3-TX12	\$24.95
ARC 3-- 24" EXTENSION	A3-TX24	\$39.95
ARC 3-- 36" EXTENSION	A3-TX36	\$49.95
ARC 3-- 48" EXTENSION	A3-TX48	\$59.95
ARC 3--72" EXTENSION	A3-TX72	\$79.95

ESCUTCHEON RING / Illustration 37

DESCRIPTION	MODEL #	COMMERCIAL USER NET
DRESS DOWN FLANGE		N/C

GENERAL ACCESSORIES

ACCESSORY MOUNT (FOR VCR, DVD, ETC) / Illustration GA-1

DESCRIPTION	MODEL #	COMMERCIAL USER NET
ARC 1 KIT NOT AVAILABLE	N/A	N/A
ARC 2 ACCESSORY MOUNT KIT	A2-BA	\$69.95
ARC 3 ACCESSORY MOUNT KIT	A3-BA	\$69.95

SPEAKER MOUNT - SHORT TUBE / Illustration GA-2

DESCRIPTION	MODEL #	COMMERCIAL USER NET
ARC 1 & 2 SHORT TUBE SPEAKER MOUNT	A1&2-SM-S	\$29.95 ea.
ARC 3 SHORT TUBE SPEAKER MOUNT	A3-SM-S	\$29.95 ea.

SPEAKER MOUNT - LONG TUBE / Illustration GA-2

DESCRIPTION	MODEL #	COMMERCIAL USER NET
ARC 1 & 2 LONG TUBE SPEAKER MOUNT	A1&2-SM-L	\$29.95 ea.
ARC 3 LONG TUBE SPEAKER MOUNT	A3-SM-L	\$29.95 ea.

ARC FIELD INSTALLATION KIT - ARC 2 / Illustration GA-3

DESCRIPTION	MODEL #	COMMERCIAL USER NET
ARC 1 FIELD INSTALLATION KIT	A1-FIK	\$119.95
ARC 2 FIELD INSTALLATION KIT	A2-FIK	\$139.95
ARC 3 FIELD INSTALLATION KIT	A3-FIK	\$179.95

ARC QUICK INSTALL KITS - ALL ARC'S / Illustration GA-4

DESCRIPTION	MODEL #	COMMERCIAL USER NET
ARC 1&2 QUICK INSTALL KIT	A1&2-QIK	\$49.95
ARC 3 QUICK INSTALL KIT	A3-QIK	\$59.95



OmniMount® Systems, Inc.
ARC Framing System

• **Effective April, 2001** •

This price list supersedes all previous price lists

TERMS

All orders are subject to acceptance by OmniMount Systems, Inc.

All orders are F.O.B.-OmniMount Systems, Inc., Phoenix, Arizona.

Net 30 day terms may be offered to qualifying accounts upon submission and approval of a credit application. Open account terms are available only after notification of credit approval by OmniMount Systems, Inc.

OmniMount Systems, Inc accepts Visa, MasterCard, and American Express.

Opening orders will be shipped C.O.D. or charged to Visa, MasterCard or American Express.

Orders with a net invoice amount of less than \$ 200.00 will be shipped C.O.D. or may be charged to Visa, MasterCard or American Express---even with approved open account terms.

OmniMount Systems, Inc. will charge \$ 20.00 for each returned check.

Under special circumstances and where stable market conditions permit, OmniMount Systems, Inc. will endeavor to hold pricing. Requests for guaranteed pricing will be considered on a case by case basis. Written documentation must be submitted indicating the period of time required, bid date, anticipated purchase date, models and accessories specified---as well as other pertinent details. Contact the OmniMount Systems, Inc. sales department for further information.

SHIPPING/FREIGHT

All orders are F.O.B.-OmniMount Systems, Inc., Phoenix, Arizona.

Any discrepancies between product quantities invoiced and received must be brought to the attention of an OmniMount Systems Customer Service Representative within 10 days after receipt of goods. OmniMount Systems must be notified immediately upon receipt of goods for all drop-ship discrepancies. Failure to do so will result in full original invoice value remaining payable.

Promised delivery dates and shipping commitments will always be made in good faith. Every reasonable effort will be made to meet these commitments.

DAMAGED MERCHANDISE

OmniMount Systems, Inc. is not responsible for merchandise damaged or lost in transit. Transportation charges you pay include the cost of insurance against such events.

Shipped merchandise is carefully packed in compliance with carrier requirements. The recipient (consignee) must make claims for loss or damage in-transit with the carrier. All shipments should be unpacked and inspected immediately upon receipt. Any discrepancies or damage must be reported to OmniMount Systems, Inc. and the carrier at such time.

CONCEALED LOSS OR DAMAGE

If damage is not discovered until shipment is unpacked, a request for inspection by the carrier's agent should be made and a claim filed with the carrier.

VISIBLE LOSS OR DAMAGE

Any external evidence of loss or damage must be noted on the freight bill or carrier's receipt at the time of delivery and signed by the carrier's agent. Failure to do this could result in the carrier refusing to honor the claim.

RETURNED MERCHANDISE

Items retained beyond 30 days from date of shipment are not returnable for credit.

Should a return become necessary, a Return Authorization (RA) Number must be obtained from OmniMount Systems, Inc. in advance. Before calling, please have readied the invoice number and/or original ship date. This information is necessary before a return can be approved. The Return Authorization (RA) Number must appear on the outside of the carton containing the returned goods.

Return Authorization (RA) Numbers are valid for 30 days from date of issue.

All returns are subject to restocking charges, plus any unpaid freight, as indicated below.

Days Since Original Ship Date	Restoc	king Charge
0 to 30	25%	
31 to 60	35%	
61+	45%	

OmniMount Systems, Inc will inspect returned merchandise upon receipt. Merchandise damaged or unsuitable for resale will be refused or will be subject to additional charges.

WARRANTY

OmniMount Systems, Inc. makes every effort to assure the purchaser that its products are shipped free of defective workmanship and materials. Products found to be defective will be replaced provided they are returned to our facilities for examination within five years from original ship date.

This warranty does not extend to any items that are deemed to have been misused, modified, improperly specified, improperly installed, improperly maintained or used contrary to instructions or specifications approved by OmniMount Systems, Inc.

DESIGN CHANGES

OmniMount Systems, Inc. reserves the right to make changes in the design, construction, hardware, or packaging of its products without prior notice.

Dimensional specifications deemed especially critical should be verified in advance with OmniMount Systems, Inc.

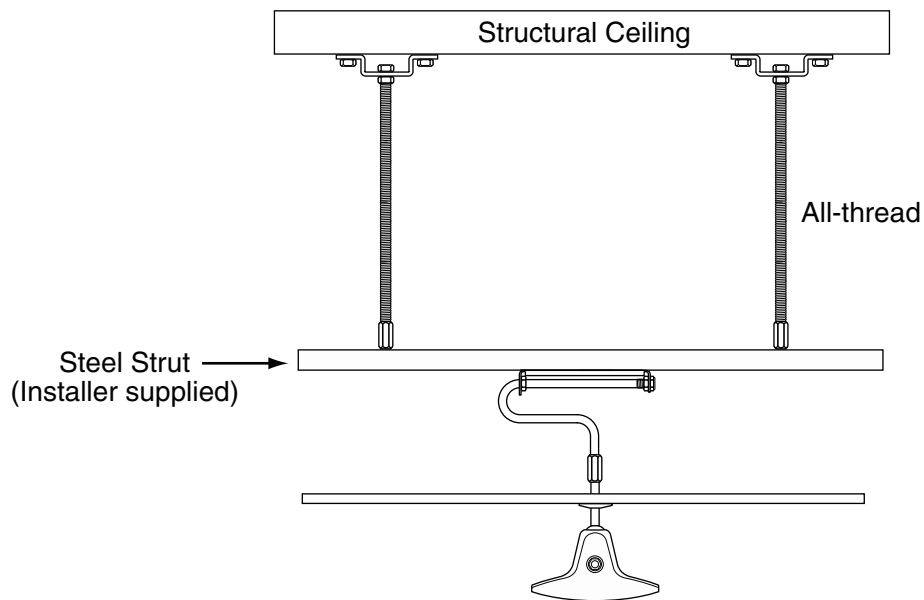
Terms and Conditions of Sale Prices, terms, conditions, specifications and packaging are subject to change without prior notice.

OmniMount Systems Inc. • The Pointe at South Mountain
8201 South 48th Street Phoenix, Arizona 85044-5355
(480) 829-8000—Fax (480) 756-9000
Website: www.omnimount.com — E-mail: hdqrs@omnimount.com
Quality designed, engineered, manufactured and assembled in U.S.A.

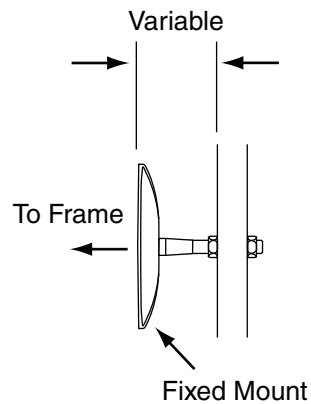
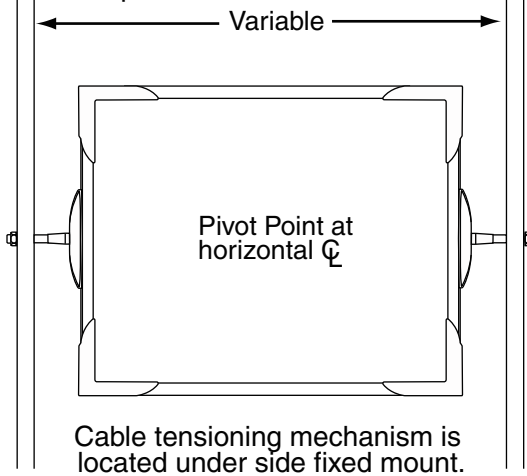


Custom Examples

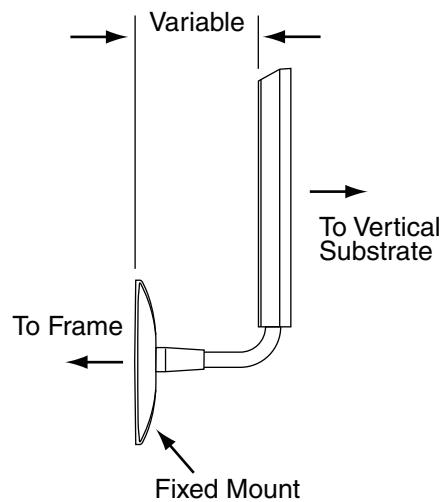
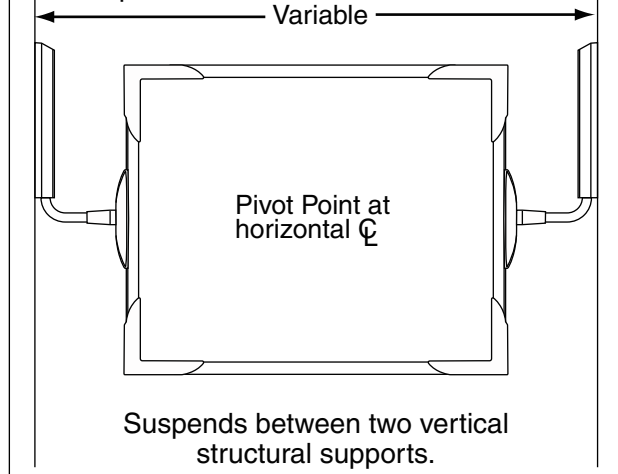
Example #1



Example #2



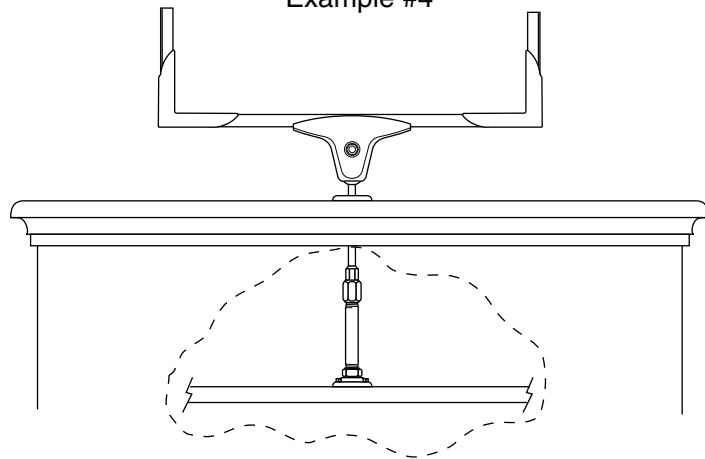
Example #3





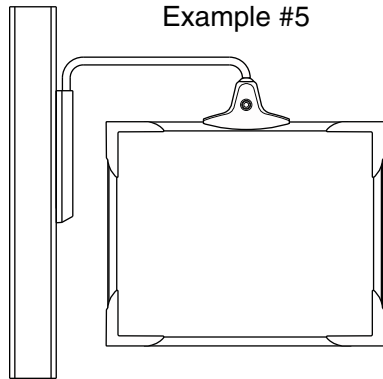
Custom Examples Continued

Example #4



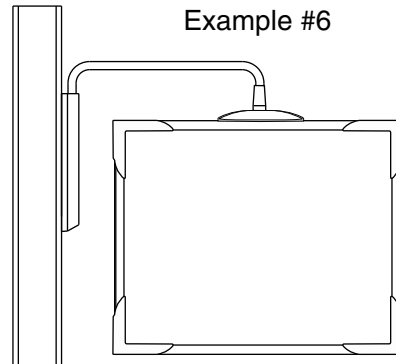
Underneath mounting with
hidden support structure
(can be installed with
installer provided motorized
lift)

Example #5



Side Wall Mounting
Adjustable

Example #6



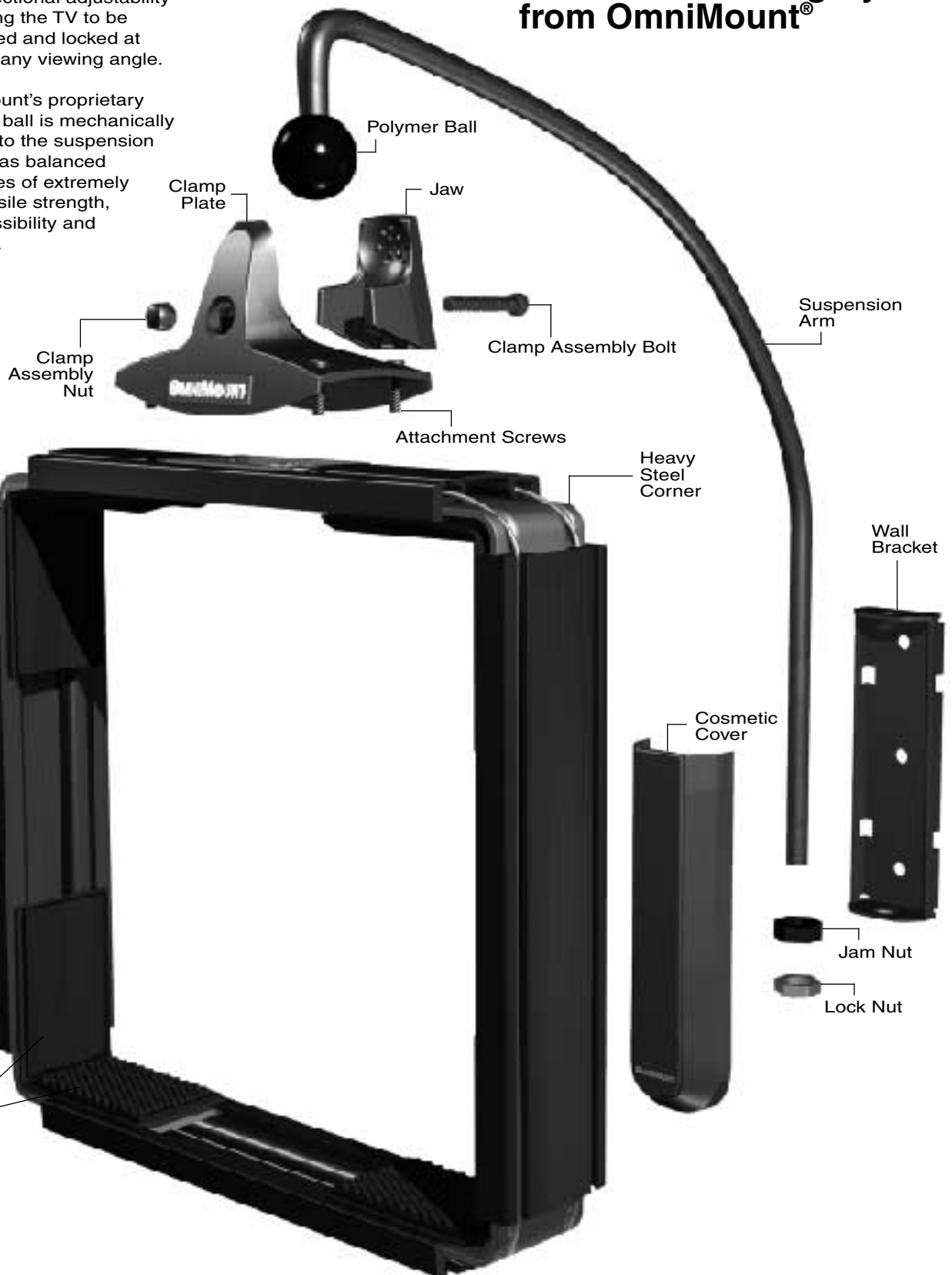
Side Wall Mounting
Fixed



The Inner Workings of The ARC® Framing System from OmniMount®

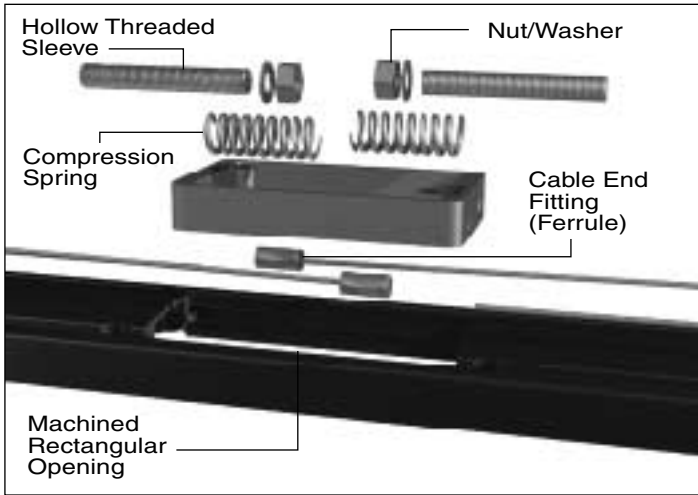
The ball-and-clamp assembly provides omnidirectional adjustability – allowing the TV to be positioned and locked at virtually any viewing angle.

OmniMount's proprietary polymer ball is mechanically bonded to the suspension arm. It has balanced properties of extremely high tensile strength, compressibility and memory.



Dual Aircraft Cable Design— Either cable, operating alone, provides effective support beyond the maximum rated load for the entire framing system. After the cables are tightened, the compression springs provide constant tension force evenly around the frame. A total of six set screws are used to lock cables securely in place.

Large Non-Slip Friction Pads

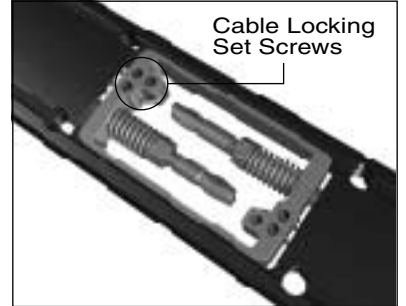


After the cables are tightened, the compression springs provide constant tension force evenly around the frame.

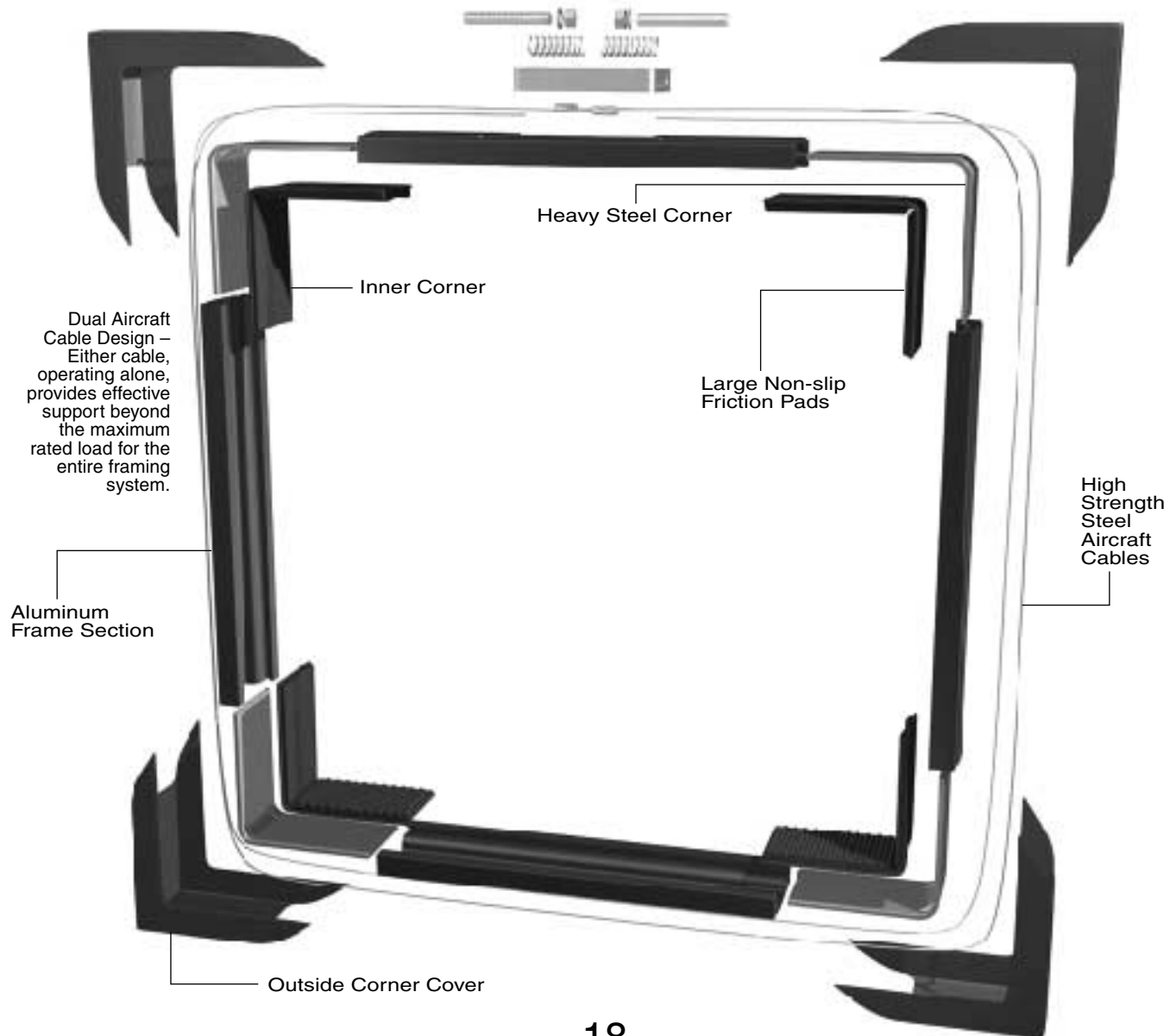
A total of six set screws are used to lock cables securely in place.



Cable Tensioning Assembly—showing assembled compression springs and cables.



Cable Tensioning Assembly—showing compressed springs and cables secured in place.





Most Frequently Used Combinations

(Combinations include frame and illustrated mounting option)

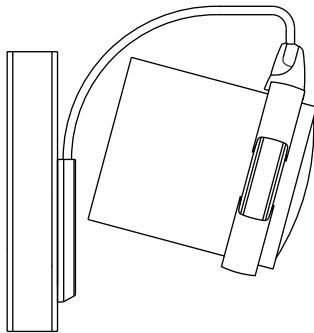


Illustration 1

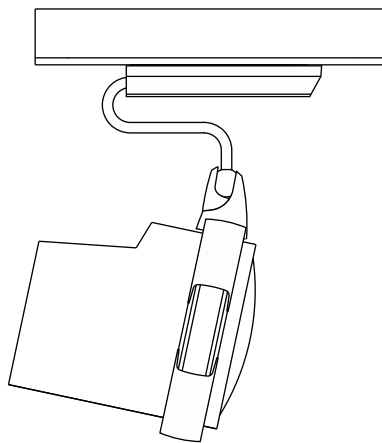


Illustration 22

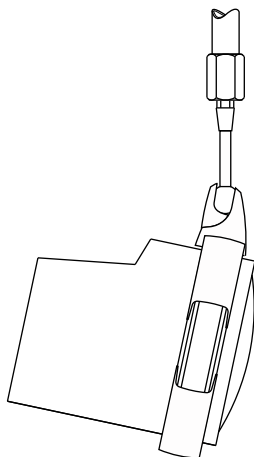


Illustration 27 w/ option 32

STANDARD WALL MOUNT - ADJUSTABLE

DESCRIPTION	ITEM #s	COMMERCIAL USER NET PRICE
ARC 1 – 14" COMBINATION	AFRM1-14 A1-1	\$249.95
ARC 2 – 19"-21" COMBINATION	AFRM2-21 A2-1	\$279.95
ARC 2 – 25"-27" COMBINATION	AFRM2-27 A2-1	\$299.95
ARC 3 – 27" COMBINATION	AFRM3-27 A3-1	\$459.95
ARC 3 – 32"-35" COMBINATION	AFRM3-32 A3-1	\$479.95
ARC 3 – 36" COMBINATION	AFRM3-36 A3-1	\$499.95
ARC 42" FLAT PANEL DISPLAY COMBINATION	AFRM2-FP-42 A2-1	\$549.95

STANDARD CEILING MOUNT - ADJUSTABLE

DESCRIPTION	ITEM #s	COMMERCIAL USER NET PRICE
ARC 1 – 14" COMBINATION	AFRM1-14 A1-22	\$249.95
ARC 2 – 19"-21" COMBINATION	AFRM2-21 A2-22	\$279.95
ARC 2 – 25"-27" COMBINATION	AFRM2-27 A2-22	\$299.95
ARC 3 – 27" COMBINATION	AFRM3-27 A3-22	\$459.95
ARC 3 – 32"-35" COMBINATION	AFRM3-32 A3-22	\$479.95
ARC 3 – 36" COMBINATION	AFRM3-36 A3-22	\$499.95
ARC 42" FLAT PANEL DISPLAY COMBINATION	AFRM2-FP-42 A2-22	\$549.95

STANDARD CEILING MOUNT w/ 1 1/2" PIPE ADAPTER - ADJUSTABLE

DESCRIPTION	ITEM #s	COMMERCIAL USER NET PRICE
ARC 1 – 14" COMBINATION	AFRM1-14 A1-27 A1-P A-1 1/2	\$259.90
ARC 2 – 19"-21" COMBINATION	AFRM2-21 A2-27 A2-P A-1 1/2	\$289.90
ARC 2 – 25"-27" COMBINATION	AFRM2-27 A2-27 A2-P A-1 1/2	\$309.90
ARC 3 – 27" COMBINATION	AFRM3-27 A3-27 A3-P A-1 1/2	\$469.90
ARC 3 – 32"-35" COMBINATION	AFRM3-32 A3-27 A3-P A-1 1/2	\$489.90
ARC 3 – 36" COMBINATION	AFRM3-36 A3-27 A3-P A-1 1/2	\$509.90
ARC 42" FLAT PANEL DISPLAY COMBINATION	AFRM2-FP-42 A2-27 A2-P A-1 1/2	\$559.90