

Custom Call-Out Mount
Model 75WCS

What 's the function?

Allows designers the flexibility to specify three critical dimensional specifications- 1) Angle of tilt, 2) Distance from the wall, 3) Side-to-side panning angle – Panning adjusts at installation... Provides custom specs at a production price.

What makes it so easy to install?

Quick three-phase installation by one technician.

1. Bracket attaches to mounting surface with six sheet metal screws or three lag screws into wood studs or framing members.
2. Tubular component/mounting plate attaches to speaker or other object to be mounted.
3. Tubular component slides down into surface mounting bracket. Jam nut is threaded on and panning angle is locked by tightening locknut.

What 's the rated load?

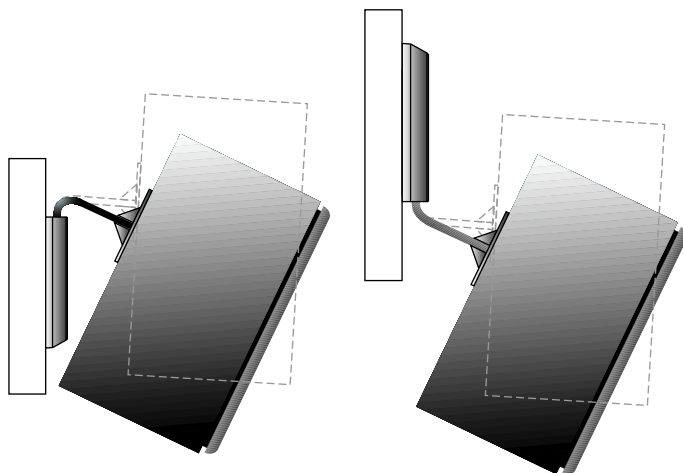
Mounts objects up to 25 lbs.

Where and how would I use it?

- Any speaker or object where adjustable panning angle, custom specifications for distance from the surface and custom angle specifications are desired.
- OmniMount will assign a customer number and a dedicated drawing number to each configuration to simplify reordering.
- The designer has basic component elements available in Auto-Cad for easy specifying and for convenient "drop-in" to plan views and elevation details.

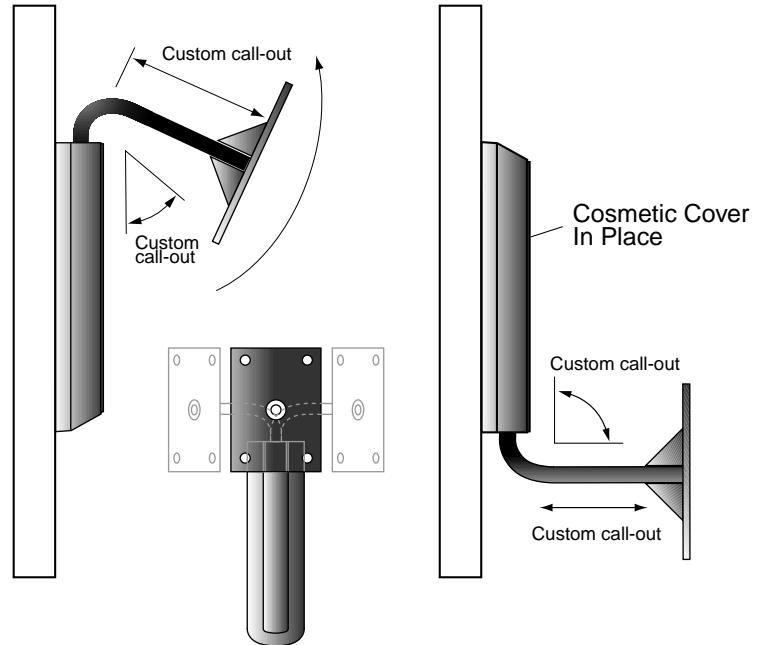
Why did OmniMount create Utility Hardware?

- The original, highly adjustable, OmniMount clamp-and-ball assembly is a "do-everything" product-- for many applications, just what you need.
- Utility Hardware gives you *only* what you need for applications where functions can be more limited.



Optional Positioning

Optional Positioning



Special Note – No Need To Panic Over Last Minute Changes!

We recognize that despite advance planning, last minute construction and design changes made at the job site can affect the tilt angle of speakers. If construction or design changes necessitate a new tilt angle at a given speaker location, the fixed custom mount can easily be replaced with a standard 75WA.

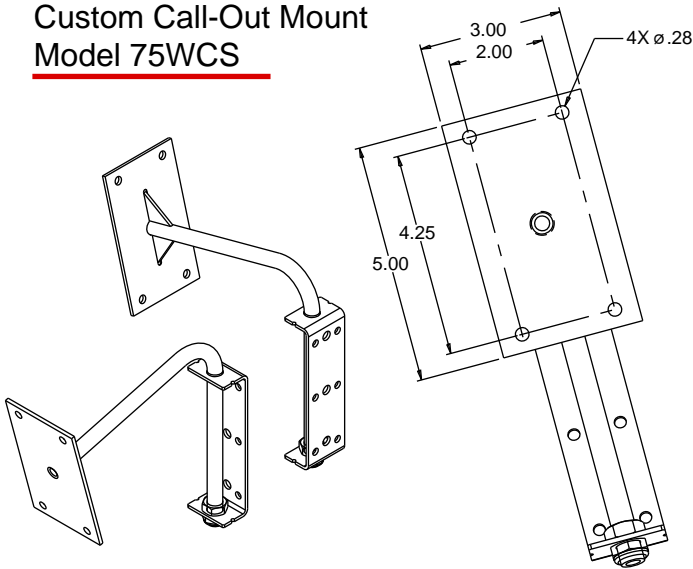
- The wall bracket does not need to be replaced because it is common to both models.
- Tubular assembly may be replaced with the 75 or 100 series ball shaft/clamp assembly.
- OmniMount will drop ship a replacement ball shaft and clamp assembly overnight directly to the job site (Pro-rated price; Custom mount returnable for credit to help offset overnight freight.)
- Specify 75WA Switch-out Kit (Model 75WASOK).

OmniMount 's Utility Hardware provides ...

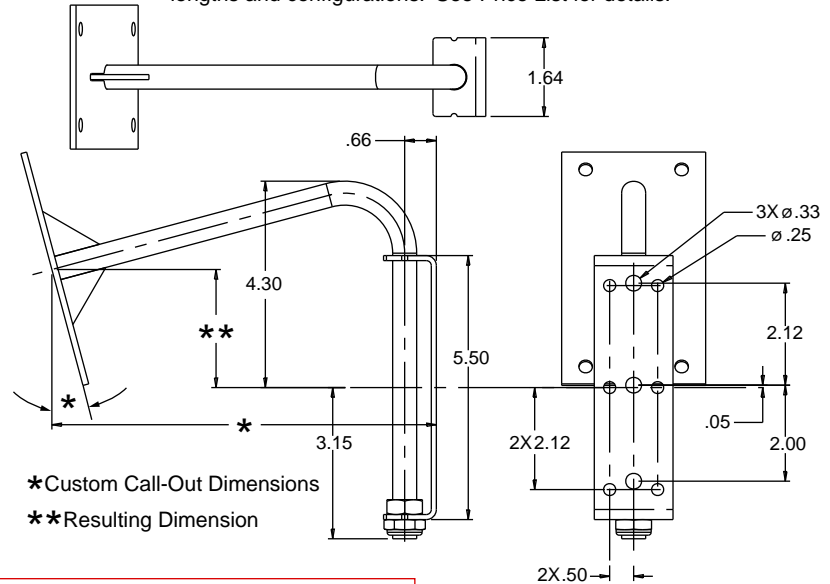
- Highly engineered design-- exceeds industry load standards. Testing data available on request.
- Efficient material use means mounts that weigh less.
- High levels of quality and safety; high load ratings.
- Simple, fast installation.
- Extremely competitive overall cost.

The total package equals superior value!

Custom Call-Out Mount Model 75WCS



Note: Secondary Support Cables are available in various lengths and configurations. See Price List for details.



Specifications subject to change without notice

Architectural Specifications

Description: OmniMount Systems Utility Hardware, OmniMount 75 Series Custom Mount Models 75WCS

Material: Surface mounting bracket shall be fabricated sheet steel. Object mounting assembly shall be heavy gauge steel tubing welded to fabricated sheet steel.

Finish/Color: Fabricated components shall be deburred prior to application of black powder coat or baked finish.

Load Rating: Shall be up to 25 lbs.

Testing: Shall be tested to exceed the requirements of UL Standard 1678.

Net Weight Each Unit: Varies depending on size specified.

OMNIMOUNT® SYSTEMS
UTILITY
HARDWARE

Key Points of Competitive Difference OmniMount Products vs The Competition

Quality and Safety Testing

- An industry benchmark... All OmniMount metal mount components are deburred and powder coated. Tubular parts with an attached polymer ball are finished with a heavy-duty baked-on paint.
- All OmniMount products are tested in accordance with UL Standard 1678 to exceed a minimum of four times the rated load. In many cases where we actually exceed this standard, our working load rating is based on many other factors, including field use information accumulated over years of practice by our broad customer base including contractors and professional installers.
- We are so confident of our total quality that we invite and welcome direct comparisons.

Packaging, Shipping, Weight and Freight

- Best packaging in the industry to ensure that products arrive clean and complete to the job site and stay complete until installation... We will also support special packing needs that work with your project flow.
- OmniMount's Utility Hardware maximizes functionality and safety while minimizing weight. The reduced weight reduces freight cost and makes installation easier. Drop-shipping to specific job sites is available.
- We have found some of our competitors' hardware to be excessively heavy for the task (Heavier is not necessarily better, stronger or safer). If you use over-designed mounts you will often pay a penalty in higher component cost, higher shipping cost and slower installation. All this adds up to a higher *total* cost of installation.

OmniMount's mission is to provide complete mounting solutions, not just mounting brackets.

Item # 1000267

Manufacturers and Marketers

- Many of our competitors outsource fabrication to job shops without fabricating anything themselves. This adds more cost with less control of quality. We design, engineer, test and manufacture in our own facility. OmniMount has made significant investments in people, facilities and equipment to be the leader in the mounting business for the "long haul."
- OmniMount is a real manufacturer, not just a marketer. In addition to standard products, our design experience and factory engineering support mean rapid response to your needs for application help as well as any requirements for customization.

The "Industry Standard"

- The OmniMount standard for hole center spacing has been adopted by major speaker manufacturers as well as our competitors. Without actually stating it, most of our competitors acknowledge that OmniMount is the industry standard for mounting speakers.

Communication and Customer Service

- We have digital and voice communications that support the coordination and efficiency of the entire business process from end-to-end... Sales... Customer Service... Scheduling... Production... Shipping... Technical support... Electronic Data Interchange.



OMNIMOUNT®
SYSTEMS

OmniMount Systems, Inc.

The Pointe at South Mountain
8201 South 48th Street
Phoenix, Arizona 85044-5355
Voice: 480.829.8000 Fax: 480.756.9000
email: hdsrs@omnimount.com



Custom Call-Out Mount
Model 100WCS

What ' s the function?

Allows designers the flexibility to specify three critical dimensional specifications- 1) Angle of tilt, 2) Distance from the wall, 3) Side-to-side panning angle – Panning adjusts at installation... Provides custom specs at a production price.

What makes it so easy to install?

Quick three-phase installation by one technician.

1. Bracket attaches to mounting surface with six sheet metal screws or three lag screws into wood studs or framing members.
2. Tubular component/mounting plate attaches to speaker or other object to be mounted.
3. Tubular component slides down into surface mounting bracket. Jam nut is threaded on and panning angle is locked by tightening locknut.

What ' s the rated load?

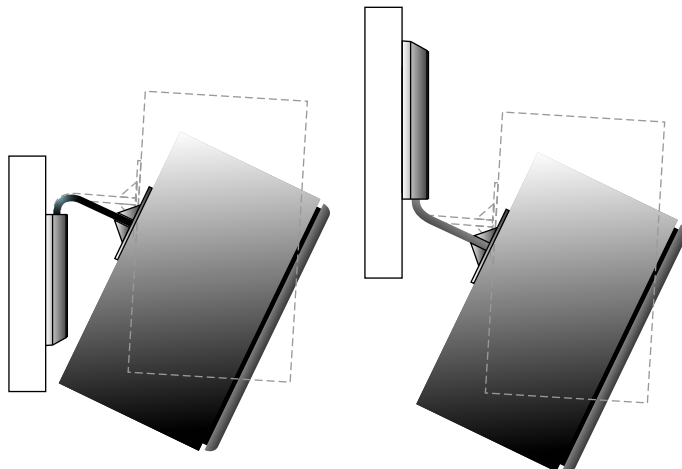
Mounts objects up to 55 lbs.

Where and how would I use it?

- Any speaker or object where adjustable panning angle, custom specifications for distance from the surface and custom angle specifications are desired.
- OmniMount will assign a customer number and a dedicated drawing number to each configuration to simplify reordering.
- The designer has basic component elements available in Auto-Cad for easy specifying and for convenient "drop-in" to plan views and elevation details.

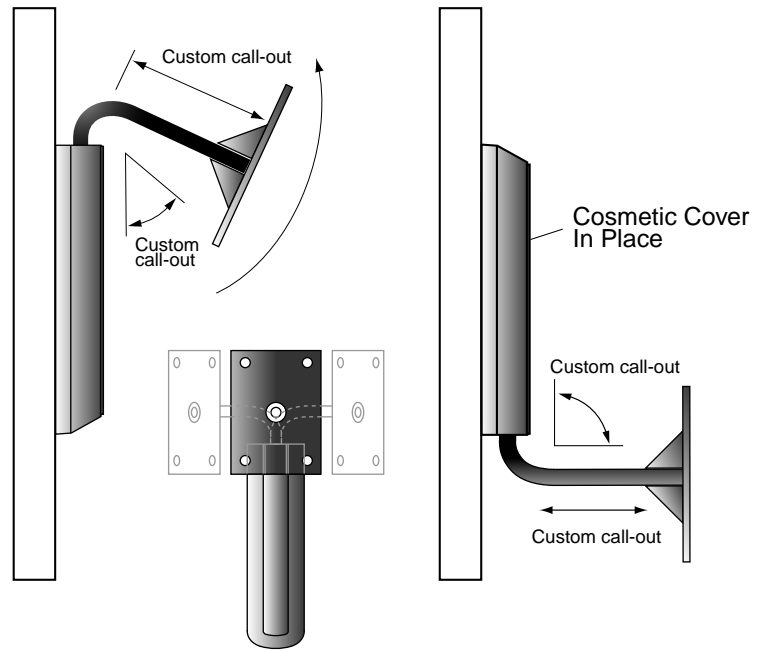
Why did OmniMount create Utility Hardware?

- The original, highly adjustable, OmniMount clamp-and-ball assembly is a "do-everything" product-- for many applications, just what you need.
- Utility Hardware gives you *only* what you need for applications where functions can be more limited.



Optional Positioning

Optional Positioning



Special Note – No Need To Panic Over Last Minute Changes!

We recognize that despite advance planning, last minute construction and design changes made at the job site can affect the tilt angle of speakers. If construction or design changes necessitate a new tilt angle at a given speaker location, the fixed custom mount can easily be replaced with a standard 100WA model.

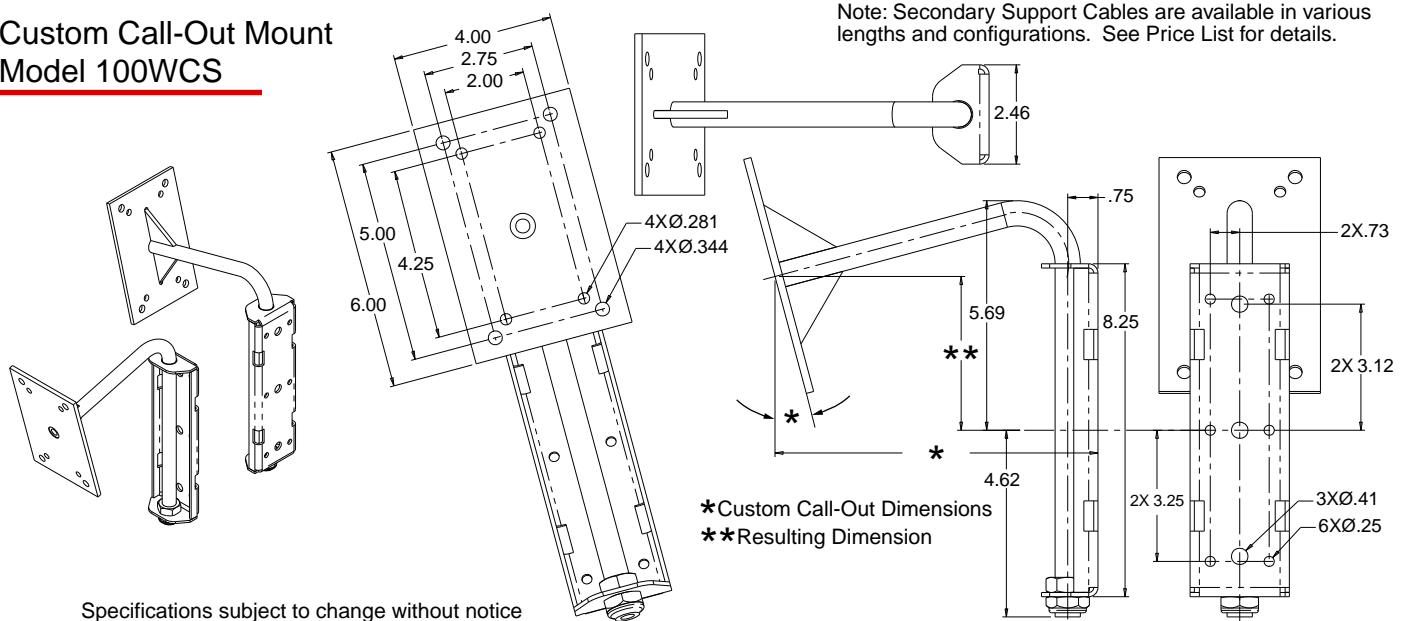
- The wall bracket does not need to be replaced because it is common to both models.
- Tubular assembly may be replaced with the 100 series ball shaft/clamp assembly.
- OmniMount will drop ship a replacement ball shaft and clamp assembly overnight directly to the job site (Pro-rated price; Custom mount returnable for credit to help offset overnight freight.)
- Specify 100WA Switch-out Kit (Model 100WASOK).

OmniMount ' s Utility Hardware provides ...

- Highly engineered design-- exceeds industry load standards. Testing data available on request.
- Efficient material use means mounts that weigh less.
- High levels of quality and safety: high load ratings.
- Simple, fast installation.
- Extremely competitive overall cost.

The total package equals superior value!

Custom Call-Out Mount Model 100WCS



Specifications subject to change without notice

Architectural Specifications

Description: OmniMount Systems Utility Hardware, OmniMount 100 Series Custom Mount Models 100WCS

Material: Surface mounting bracket shall be fabricated sheet steel. Object mounting assembly shall be heavy gauge steel tubing welded to fabricated sheet steel.

Finish/Color: Fabricated components shall be deburred prior to application of black powder coat or baked finish.

Load Rating: Shall be up to 55 lbs.

Testing: Shall be tested to exceed the requirements of UL® Standard 1678.

Net Weight Each Unit: Varies depending on size specified

OMNIMOUNT® SYSTEMS
UTILITY™
HARDWARE

Key Points of Competitive Difference OmniMount Products vs The Competition

Quality and Safety Testing

- An industry benchmark... All OmniMount metal mount components are deburred and powder coated. Tubular parts with an attached polymer ball are finished with a heavy-duty baked-on paint.
- All OmniMount products are tested in accordance with UL® Standard 1678 to exceed a minimum of four times the rated load. In many cases where we actually exceed this standard, our working load rating is based on many other factors, including field use information accumulated over years of practice by our broad customer base including contractors and professional installers.
- We are so confident of our total quality that we invite and welcome direct comparisons.

Packaging, Shipping, Weight and Freight

- Best packaging in the industry to ensure that products arrive clean and complete to the job site and stay complete until installation... We will also support special packing needs that work with your project flow.
- OmniMount's Utility Hardware maximizes functionality and safety while minimizing weight. The reduced weight reduces freight cost and makes installation easier. Drop-shipping to specific job sites is available.
- We have found some of our competitors' hardware to be excessively heavy for the task (Heavier is not necessarily better, stronger or safer). If you use over-designed mounts you will often pay a penalty in higher component cost, higher shipping cost and slower installation. All this adds up to a higher *total* cost of installation.

OmniMount's mission is to provide complete mounting solutions, not just mounting brackets.

Item # 1000259

Manufacturers and Marketers

- Many of our competitors outsource fabrication to job shops without fabricating anything themselves. This adds more cost with less control of quality. We design, engineer, test and manufacture in our own facility. OmniMount has made significant investments in people, facilities and equipment to be the leader in the mounting business for the "long haul."
- OmniMount is a real manufacturer, not just a marketer. In addition to standard products, our design experience and factory engineering support mean rapid response to your needs for application help as well as any requirements for customization.

The "Industry Standard"

- The OmniMount standard for hole center spacing has been adopted by major speaker manufacturers as well as our competitors. Without actually stating it, most of our competitors acknowledge that OmniMount is the industry standard for mounting speakers.

Communication and Customer Service

- We have digital and voice communications that support the coordination and efficiency of the entire business process from end-to-end... Sales... Customer Service... Scheduling... Production... Shipping... Technical support... Electronic Data Interchange.



OMNIMOUNT®
SYSTEMS

OmniMount Systems, Inc.

The Pointe at South Mountain
8201 South 48th Street
Phoenix, Arizona 85044-5355
Voice: 480.829.8000 Fax: 480.756.9000
email: hdqrs@omnimount.com

