

UNIVERSAL PROJECTOR MOUNTS



PMD-1



PMD-2



PMD-WM

UNIVERSAL PROJECTOR MOUNTS: PMD-1 AND PMD-2

PMD-1 and PMD-2 are flexible, easy to install and easy to adjust. These mounts are feature-packed and attractively priced. Common features include:

- Built-in leveling plate to adjust pitch and tilt
- Integrated cable management
- Two-piece, slide-together mount
- Easy after-install removal for projector servicing (hot swap)
- Accepts security hardware and/or padlock
- Ceiling flange cover plate
- 12"-18" adjustable ceiling pipe included
- Snug ceiling option for low ceilings
- Extensive hardware pack
- Available in platinum or black

PMD-1 UNIVERSAL PROJECTOR MOUNT

- 30-lb. weight capacity
- Maximum mounting footprint 9" x 11"
- Designed for small projectors

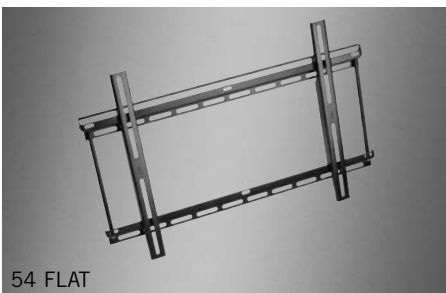
PMD-WM

- Wall mount accessory for PMD-1 and PMD-2
- Back or side wall mounting option

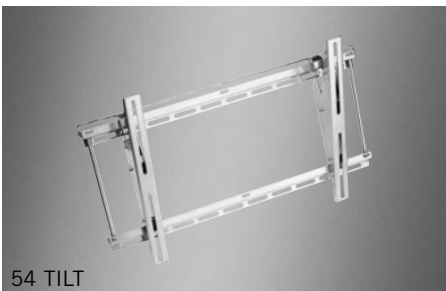
PMD-2 UNIVERSAL PROJECTOR MOUNT

- 40-lb. weight capacity
- Maximum mounting footprint 11½" x 13½"
- Designed for medium projectors

UNIVERSAL FLAT PANEL MOUNTS



54 FLAT



54 TILT

UNIVERSAL FLAT PANEL MOUNTS: 54 FASTBACK FLAT AND 54 FASTBACK TILT

FASTBACK Flat Panel mounts are designed for fast and easy install. These mounts are engineered to be simple with attractive pricing.

Common features include:

- Accommodates 32" to 54" flat panel displays*
- 175-lb. weight capacity
- Mounts to any stud separation up to 30"
- Heavy-duty, 11ga steel construction
- Accepts security hardware and/or padlock
- Universal mounting; no screen adapter needed
- Small shipping box
- UL listing applied for
- Extensive hardware pack
- Available in platinum or black

54 FASTBACK FLAT UNIVERSAL FLAT PANEL MOUNT

- 1.25" off-the-wall mounting profile (depth)

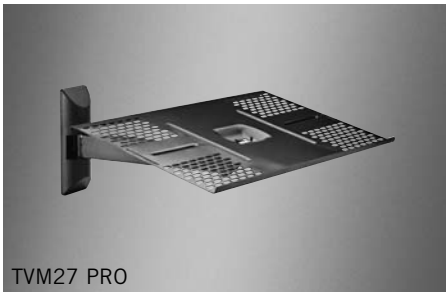
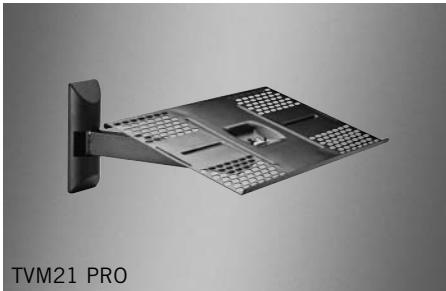
54 FASTBACK TILT UNIVERSAL FLAT PANEL MOUNT

- 1.75" off-the-wall mounting profile (depth)
- Tilt of -5°/+15°

63 FASTBACK RAIL KIT*

- Rails to extend the 54" Flat or Tilt to accommodate most 63" screens
- These rails bolt directly to the 54" rails
- 11ga steel construction

COMMERCIAL TV MOUNTS



TV/CRT MOUNTS: TVM13 PRO, TVM21 PRO AND TVM27 PRO

Tray-based, TV/CRT wall mounts are sturdy and rugged. Common features include:

- Double swivel (@ wall and under tray)
- 15° of forward tray tilt
- Single-stud mounting
- Heavy-duty, 11ga steel platform
- Platform has slotted grid design for bottom mounting
- Nylon stabilizing strap
- Quick assembly
- UL listing applied for
- All mounting hardware included
- Available in platinum or black

TVM13 PRO

- Up to 13" CRT/TV size
- 55-lb. capacity

TVM21 PRO

- Up to 21" CRT/TV size
- 88-lb. capacity

TVM27 PRO

- Up to 27" CRT/TV size
- 132-lb. capacity

TVC COMPONENT MOUNT

- Fits all TVM sizes
- Width range 13½"-18½"
- Height range 2⅞"-4¾"

DESKTOP MOUNT

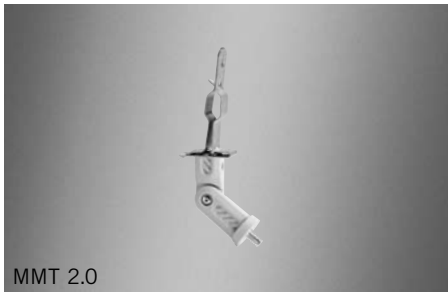


DTM-1 FLAT PANEL DESKTOP MOUNT

The DTM-1 enhances the latest in LCD desktop displays with these features:

- VESA 75/100 compatibility
- 33-lb. weight capacity
- Clamp-style mounting
- 360° rotation at the base
- 210° horizontal swivel
- 90° vertical tilt
- Portrait or landscape page view
- Lift and drop screen placement
- Cable management
- Available in black only

MULTI MOUNTS



MMT 2.0



MMT 2.0



MMT 2.0



MMT 7.0



MMT 7.0



MMT 7.0



MMT 10.0



MMT 10.0



MMT 10.0



MMT FAMILY

MULTI MOUNTS: MMT 2.0, MMT 7.0 AND MMT 10.0

Multi Mount applications are open to many functions including: mini and small cameras, camera housings, perimeter intrusion devices, speakers or any small device that requires rigid yet flexible positioning. Common features include:

- 360° base rotation, 180° pan, +/-30° tilt (minimum)
- Weatherproof materials
- Single-box solution: Multiple configuration in each box; includes extensions, T-bar (drop ceiling) and an extensive hardware pack
- Allen wrench included
- Available in black or white

MMT2.0

- Weight capacity 2.0 lb.
- Three arm lengths: 3", 5" and 7"
- Glass-filled nylon construction
- 3/32" pilot hole drill bit

MMT10.0

- Weight capacity 10.0 lbs.
- Three arm lengths: 3", 5" and 8"
- Stainless steel shafts
- Die-cast aluminum clamp and jaw

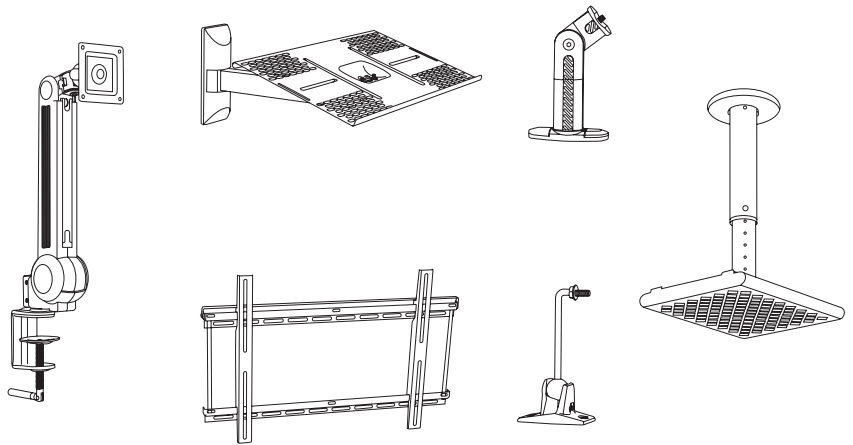
MMT7.0

- Weight capacity 7.0 lb.
- Three arm lengths: 3.75", 6" and 8.25"
- Glass-filled nylon construction
- 3/32" Pilot hole drill bit



OmniMount Systems, Inc.
 The Pointe at South Mountain
 8201 South 48th Street
 Phoenix, Arizona 85044-5355
 1-800-MOUNT-IT www.omnimount.com

OMNIMOUNT PRO PROFESSIONAL AUDIO/VIDEO PRODUCTS



FLAT PANEL MOUNTS
CRT/TV MOUNTS
MULTI MOUNTS
PROJECTOR MOUNTS

