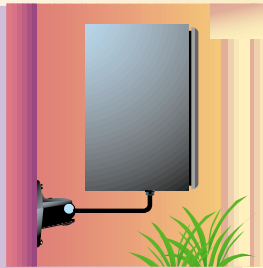


Mount Your Smaller Speakers Like This...



RWX—From wall to bottom



RWX—From wall to top



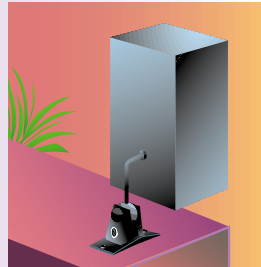
RWX—From side wall to top



RWX—From ceiling to back



RWX—From side wall to bottom



RWX—From cabinet top to back



RST—From ceiling to top

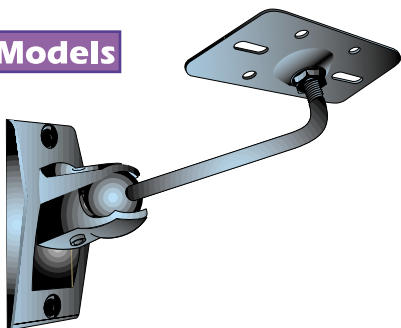


RST—From wall to back

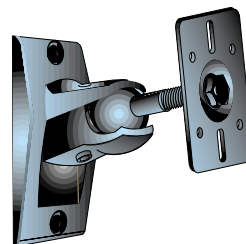


RST—From cabinet top to bottom

RWX Models



RST Models



All models available in black and Navajo white

WB Models



From wall to bottom



From wall to top



From side wall to top

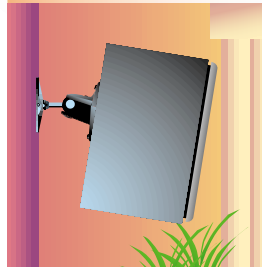


From side wall to bottom

STMP Models



From ceiling to top



From wall to back



From surface to bottom

Mount Your Larger Speakers Like This...

WA Models



From wall to back

CA Models



From ceiling to back



WB Models



STMP Models



WA Models



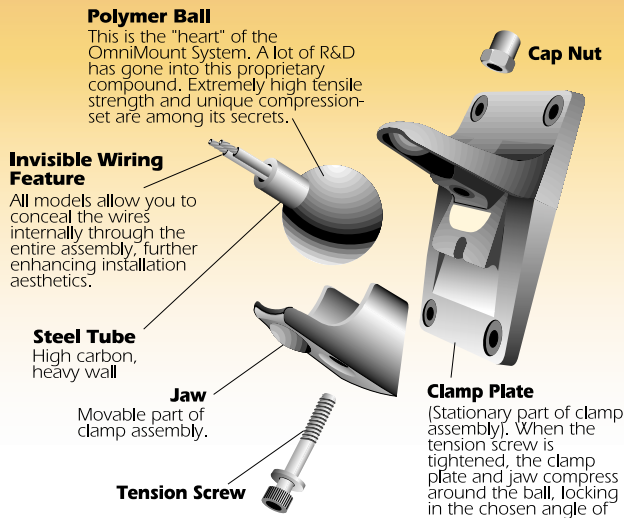
CA Models

NOTE: Check price lists and catalog numbers. Some configurations shown here are also available for use with smaller speakers.

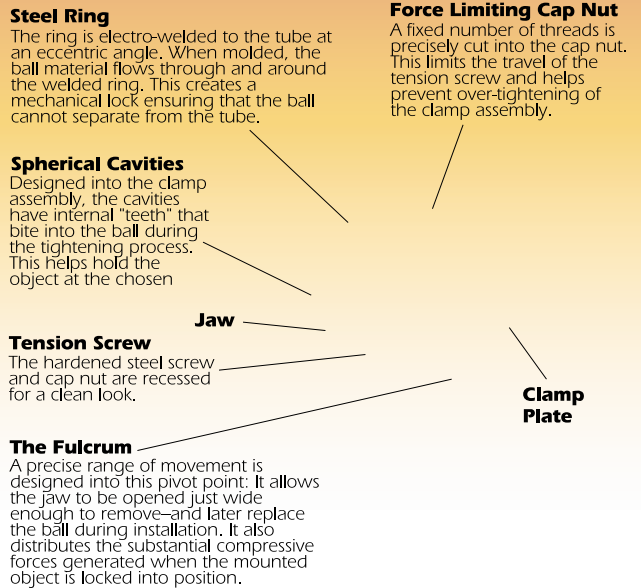
All models available in black and Navajo white

OmniMount Basics — What it's made of and How It Works...

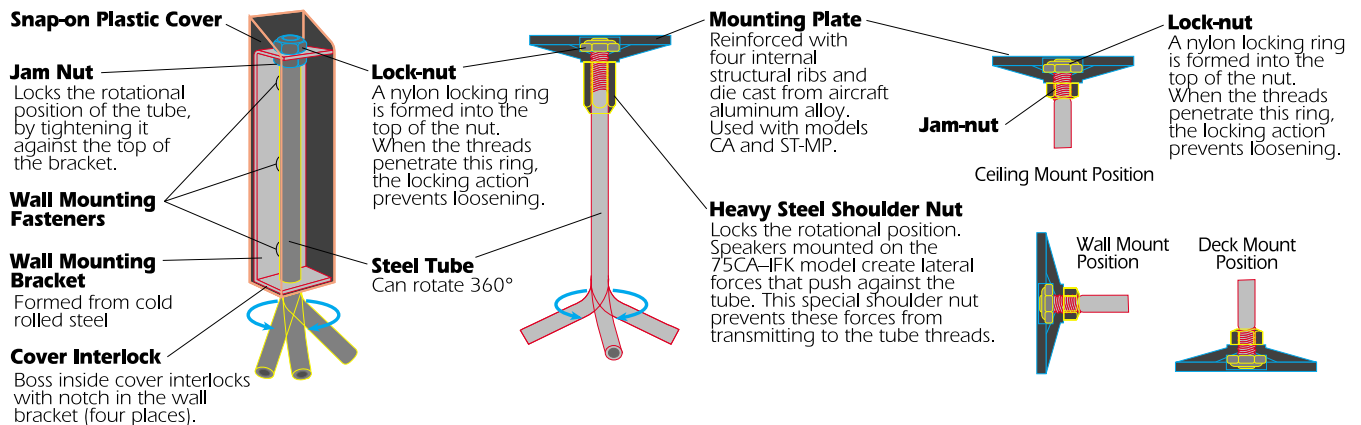
Clamp Assembly (All Models)



Elements of Design and Manufacture



Attaching to mounting surfaces. (Walls, ceilings, decks, etc.)



OMNIMOUNT®
S Y S T E M S



**OmniMount®
Systems are
Ideally Suited
for Mounting
Home THX®
Loudspeakers**

OmniMount Systems, Inc.
The Pointe at South Mountain
8201 South 48th Street
Phoenix, Arizona 85044-5355
Voice: 602.829.8000
Fax: 602.756.9000
email: hdqrs@omnimount.com
Web: www.omnimount.com

OmniMount® Systems, Inc • Toll Free: 1-800-MOUNT-IT! (668-6848)

For your information

OmniMount® Systems have been specified and installed both safely and productively for many years. With the extraordinarily varied applications and installation advantages of OmniMount products, it is important to become fully aware of the guidelines and specifications we have set forth here. The more familiar you become with OmniMount assemblies, the more time-saving uses you're likely to find for them. The

patented OmniMount Systems ball and clamp assembly works with a variety of ball shaft lengths and bend configurations, wall brackets, mounting plates, plumbing pipe, all-thread rod adapters and accessories---all in many sizes and load handling capabilities.

OmniMount products are carefully engineered and quality manufactured in the U.S.A. They are built to do their job

efficiently for a long time

OmniMount assemblies are of industrial quality, but they're not industrial looking. Functional design makes for special good looks, creating a clean, uncluttered installation. Specifying OmniMount products eliminates the need for welding or custom fabricating expensive brackets. And you'll no longer have to settle for unsightly and time-consuming "nuts & bolts" alternatives.

...About the object you're mounting

"OmniMount Prepped" refers to objects that can be fitted directly to OmniMount products. These objects contain factory installed threaded inserts, engineered and designed by the manufacturer. The inserts are intended to provide safe support when the object is mounted. Many loudspeakers have them, as do most security cameras.

If no factory inserts have been provided, then it is **you** who will have to evaluate the strength of the object and the integrity of the materials it's made of. The construction of the object must be **at least** sturdy enough to support its own weight over time, especially at the point of attachment to the OmniMount assembly.

...And what you're mounting onto

Careful evaluation must be made of the surfaces you will be mounting onto. Adequate strength, composition, and construction of these surfaces are obviously crucial to a safe and secure installation.

Specify and use the appropriate

interfacing hardware. Select the right type, size and combination of fasteners to support the load safely. Consider carefully and plan for all installation conditions and variables. "**How much does it weigh?**" This is probably the first question that comes to mind when deciding to mount something on the wall or ceiling.

But mounting any object safely and properly also requires careful consideration of the object's overall size (height x width x depth), its center of gravity, distribution of load, and whether or not dynamic loading will be acting upon it.

Static/Stationary Load-vs.-Active/ Potential Dynamic Load

An OmniMount assembly attached to a solid wall, where no external motion forces are at play, is an example of a static/stationary load installation.

An OmniMount assembly attached to a surface inside a moving vehicle subjects the mounted object to an active dynamic load situation. As an example of a potential dynamic load installation, consider a ball thrown astray in a sports venue

and how it could impact a mounted object.

The best way to compensate for dynamic loading is to choose an OmniMount assembly capable of supporting greater weight than the object itself. This usually means choosing the same model, but with the next higher series number.

For product selection you'll need to know three basic things...

1. The location of the mounting surfaces: That is, on the wall, ceiling, floor deck, or other place. And where, on the object itself, the OmniMount assembly will be secured---on the top, on the back, on the bottom, or on the side.

2. The weight of the object to be mounted: Use the weight chart on page 10 as a guide.

3. The overall dimensions of the object: The height, width, and depth of it. This information is required to choose accurately the OmniMount model that will best fit the object your mounting and best fit in the space available for it.

Weight Chart by Series

25 Series	up to 8 lbs.(3.6 kg.)		100 Series	up to 55 lbs.(24.9 kg.)
50/53 Series	up to 15 lbs.(6.8 kg.)		300 Series	up to 120 lbs.(54.4 kg.)
75 Series	up to 25 lbs.(11.3 kg.)		500 Series	up to 225 lbs.(102.1kg.)

Mount Style Description - General Nomenclature

W	Wall		PA	Pipe Adapter
C	Ceiling		TA	Threaded Rod Adapter
A	To the back of the speaker		R	Reverse Mount
B	To the bottom of the speaker		CC	Acoustical Ceiling Clip Adapter
ST	Straight Tube Configuration		SM	Strut Member Kit
X	Extended ballshaft		SL	Slotted Clamp Assembly- 100 Series only
MP	Mounting Plate		T	Telescoping

Architectural & Engineering Specifications

Architectural & Engineering Specifications

Where "Universal Mounting Assemblies" are indicated in contract documents, they shall be "as manufactured by OmniMount Systems." Mounts shall have a carbon steel ballshaft, with a polymer ball permanently bonded to one end. Clamp Assemblies and Mounting plates shall be of aircraft grade aluminum alloy, with remaining structural components fabricated of cold-rolled steel. Fasteners used for assembly shall be of hardened steel—certain cosmetic parts shall be of injection molded plastic. Fastening hardware selected for mounting surfaces shall be of a proper size and type to support loads safely—as detailed in OmniMount Systems' product data and installation instructions. Fastening hardware shall be finished as necessary for environmental protection and to color-match mounting assemblies.

NOTE – On the pages that follow:

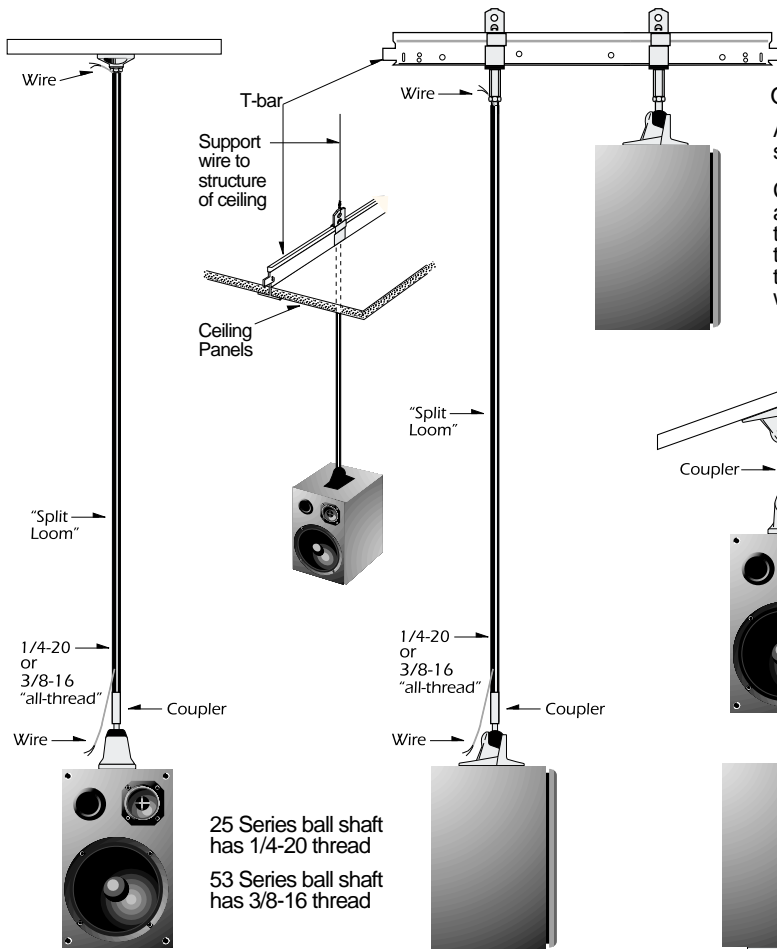
For simplicity, some illustrations may not be to scale. Specifications are subject to change without prior notice. Contact factory directly to verify critical dimensions. Every effort has been made to provide accurate dimensions and specifications. OmniMount Systems, Inc. cannot be held responsible for any errors or omissions.

INCH callouts are in **BOLD** type at the top of each box. Metric (mm) call-outs are plain type.

OmniMount® Systems, Inc • Toll Free: 1-800-MOUNT-IT! (668-6848)

Threaded Rod and Pipe Adapters

Examples of how Threaded Rod Adapters are used



Option 1
(unassembled)

When greater distance is required from the ceiling mounting surface to a predetermined optimum speaker height, this combination will provide a flexible solution. Once the desired speaker height is determined, a length of "all-thread" or threaded rod (available at the hardware store) is cut to the appropriate length. A flat mounting plate is secured to the ceiling and to one end of the threaded rod, while a coupler affixes the OmniMount clamp assembly and speaker at the opposite end. The wiring and rod can be dressed down and hidden by an easily attached cosmetic tube called "split loom" (specify the length required). All components except threaded rod are provided by OmniMount Systems.

25 Series ball shaft has 1/4-20 thread
53 Series ball shaft has 3/8-16 thread

Option 2

Option 3

A simple solution for mounting onto suspended ceilings.

Clips onto both sides of "T" bar support and above the T-bar. A small hole at the top of the assembly allows a wire to pass through and attach to a substrate above the suspended ceiling. This option is useful where added support is a concern.

Option 4

Coupling two OmniMount models end to end offers a solution for sloped or pitched ceilings — and also provides two pivot points for extra flexibility in positioning.

Option 5

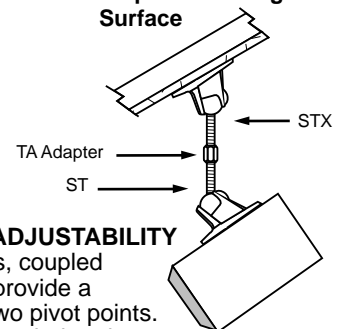
OmniMount Systems has available adapters that fit the standard 5/8" thread on a microphone stand. This provides a means of locating the speaker when placement is intended to be temporary. (The microphone stand provided by others).

All options are available for both 25 and 53 series.

In addition to the options shown here, many more installation options are available, including adapters for mounting from I-beams, trusses, space frames and lighting grids.

For installation assistance with special mounting requirements — or if you need more information, contact OmniMount Systems technical support.

Sloped Mounting Surface



DUAL PIVOT POINT ADJUSTABILITY

Two ST or STX Models, coupled together at each end, provide a mounting option with two pivot points. Both ball shafts are threaded and coupled end-to-end into a TA adapter. Among other specialized applications, this accessory provides a means of compensating for the slope of vaulted ceilings so that what is mounted can be suspended generally perpendicular to the floor and parallel to the walls. This dual pivot point configuration solves problems commonly encountered in church ceiling installations, for example.

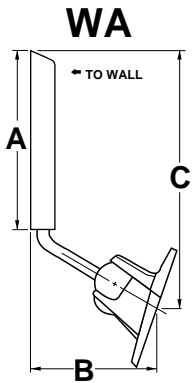
MODEL

25 TA	black
50 PA	black
50 TA	black
53 TA	black
75 PA	black
75 TA	black
100 PA	black
100 TA	black
300 PA	black
300 TA	black

Dimensions for Complete Models

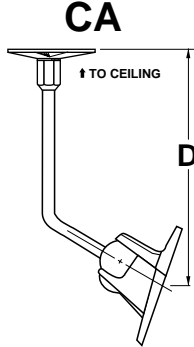
WA Model:

Mounts from wall to back of object. Provides lateral rotation with position & lock of ball shaft at wall surface.



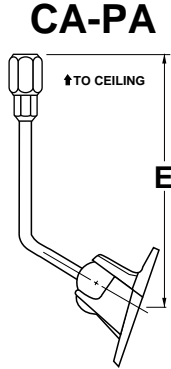
CA Model:

Mounts from ceiling to back of object.



CA-PA Model:

Mounts from ceiling to back of object.



	50 series	75 series	100 series	300 series
A	6 $\frac{1}{4}$ 158.8	6 $\frac{1}{4}$ 158.8	9 $\frac{1}{4}$ 235.0	12 315.9
B	4 $\frac{5}{8}$ 117.5	5 $\frac{3}{8}$ 136.5	6 $\frac{7}{8}$ 174.6	9 $\frac{1}{2}$ 241.3
C	9 $\frac{1}{2}$ 241.3	10 254.0	14 355.6	19 482.6
D	9 228.6	10 $\frac{1}{4}$ 260.4	13 $\frac{1}{8}$ 333.4	18 $\frac{1}{4}$ 463.6
E	10 254.0	11 $\frac{1}{4}$ 287.8	14 $\frac{3}{8}$ 365.1	19 $\frac{1}{2}$ 495.3

MODEL

50 WA	black
50 WA	white
*75 WA IFK	black
*75 WA IFK	white
100 WA	black
100 WA	white
300 WA	black
300 WA	white
50 CA	black
50 CA	white
*75 CA IFK	black
*75 CA IFK	white

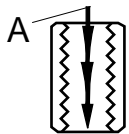
MODEL

100 CA	black
100 CA	white
300 CA	black
300 CA	white
50 CA-PA	black
50 CA-TA	black
75 CA-PA	black
75 CA-TA	black
100 CA-PA	black
100 CA-TA	black
300 CA-PA	black
300 CA-TA	black

*75WA & 75CA are only available in IFK (Integral Fastening Kit) configuration.

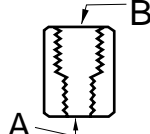
TA thread adapters

- extends ballshaft length using all-thread rod



PA pipe adapters

- extends ballshaft length using standard pipe available at hardware or plumbing supply stores



	25 series	50 series	75 series	100 series	300 series	300 series
A	1/4 - 20	7/16 - 20	1/2 - 20	5/8 - 18	1 - 14	1 1/2 - 12
B	N/A	1/2	3/4	3/4	1 1/2	2

Exceptions and Variations

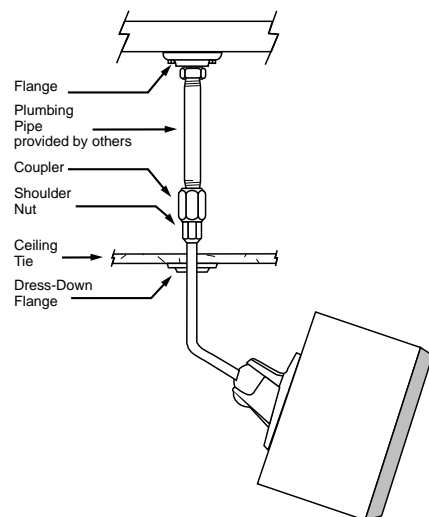
25WBX/CBX - use 50TA/50PA adapters

PA adapters not available for 25 series models.

75WBX/CBX and 100 WBX/CBX - require 3/4" 16TA adapters.

PA adapters are not available for these mounts.

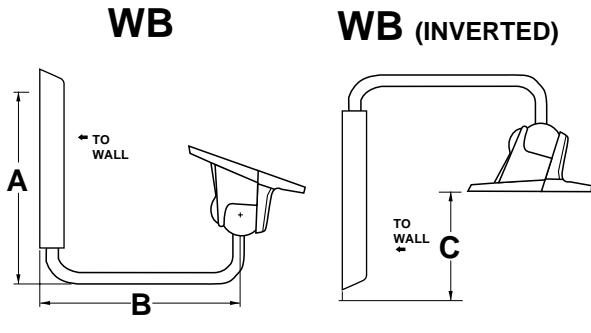
Plumbing Pipe Adapters:



INCH callouts are in **BOLD** type at the top of each box. Metric (mm) call-outs are plain type.

OmniMount® Systems, Inc • Toll Free: 1-800-MOUNT-IT! (668-6848)

WB Model: Mounts from wall to bottom of object; or if inverted, to top of object. Provides lateral rotation with position & lock of the ballshaft at the wall surface.



	25 series	50 series	75 series	100 series	300 series	500 series
A	N/A	7 ³ / ₈ 187.3	8 ¹ / ₈ 206.4	11 279.4	14 ³ / ₄ 347.7	N/A
B	N/A	7 177.8	9 ³ / ₄ 247.7	10 ³ / ₄ 273.1	15 ³ / ₈ 390.5	14 ¹ / ₂ 368.3
C	N/A	3 ¹ / ₈ 79.4	3 ¹ / ₈ 79.4	4 ⁷ / ₈ 123.8	6 152.4	N/A

MODEL

- 50 WB black
- 50 WB white
- *75 WB IFK black
- *75 WB IFK white

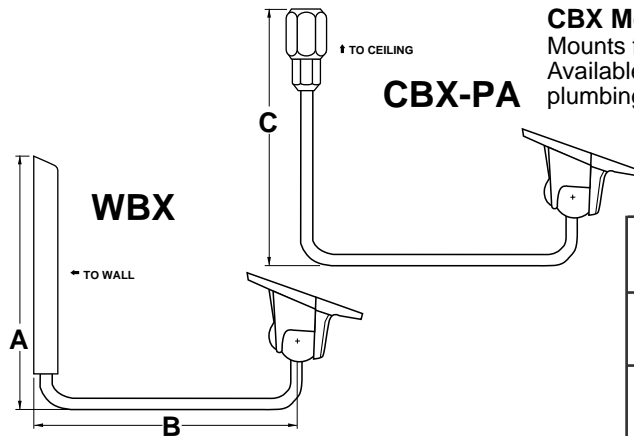
MODEL

- 100 WB black
- 100 WB white
- 300 WB black
- 300 WB white

*75WB are only available in IFK (Integral Fastening Kit) configuration.

CBX Model:

Mounts from ceiling to bottom of object with an extended ballshaft length. Available with pipe adapter or threaded rod adapter for extension with plumbing pipe or threaded rod to increase drop distance.



	25 series	50 series	75 series	100 series	300 series	500 series
A	7 ¹ / ₄ 184.2	N/A	14 355.6	14 355.6	14 ³ / ₄ 374.7	20 ³ / ₈ 517.5
B	7 ¹ / ₄ 184.2	N/A	14 ³ / ₄ 374.7	18 457.2	18 ⁵ / ₈ 473.1	24 609.6
C	7 ⁷ / ₈ 200.0	N/A	N/A	N/A	15 ³ / ₈ 390.5	N/A

WBX Model:

Mounts from wall to bottom of object with an extended ballshaft length. Useful for side wall mounting or for mounting object with depth requiring greater clearance from the wall.

MODEL

- 25 WBX black
- 25 WBX white
- 75 WBX black
- 75 WBX white
- 100 WBX black

MODEL

- 100 WBX white
- 300 WBX black
- 300 WBX white
- 25 CBX-PA black

MODEL

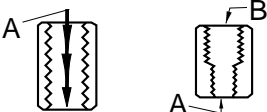
- 25 CBX-TA black
- 300 CBX-PA black
- 50 CB-PA black
- 50 CB-TA black
- 75 CB-PA black

MODEL

- 75 CB-TA black
- 100 CB-PA black
- 100 CB-TA black
- 300 CB-PA black
- 300 CB-TA black

TA thread adapters
 • extends ballshaft length using all-thread rod

PA pipe adapters
 • extends ballshaft length using standard pipe available at hardware or plumbing supply stores

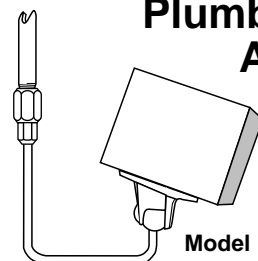


	25 series	50 series	75 series	100 series	300 series	300 series
A	1/4 -20	7/16 -20	1/2 -20	5/8 -18	1-14	1 1/2 -12
B	N/A	1/2	3/4	3/4	1 1/2	2

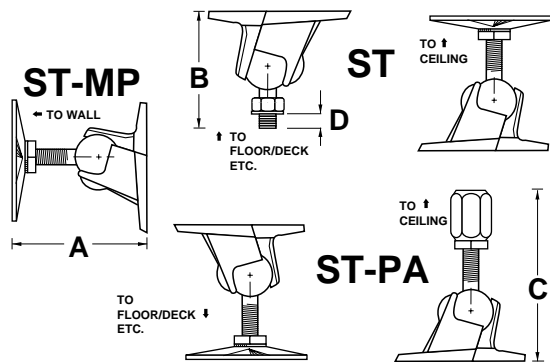
Exceptions and Variations

25WBX/CBX - use 50TA/50PA adapters
 PA adapters not available for 25 series models.
 75WBX/CBX and 100 WBX/CBX - require 3/4"-16TA adapters.
 PA adapters are not available for these mounts.

Plumbing Pipe Adapters:



Model Illustrated: CB-PA



	25 series	50 series	75 series	100 series	300 series	500 series
A	3 76.2	3 ⁷ / ₈ 98.4	4 ⁵ / ₈ 117.5	6 ¹ / ₈ 155.8	7 177.8	11 ¹ / ₄ 285.8
B	2 ⁷ / ₈ 73.0	3 ⁷ / ₈ 98.4	4 ¹ / ₂ 114.3	6 152.4	7 177.8	10 ³ / ₈ 263.5
C	N/A	4 ³ / ₄ 120.7	5 ³ / ₄ 146.1	7 ¹ / ₄ 184.2	8 ¹ / ₄ 209.6	12 304.8
D	N/A	1 ¹ / ₂ 12.7	1 ¹ / ₂ 12.7	1 ¹ / ₂ 12.7	3 ⁴ / ₄ 19.1	1 25.4

MODEL

25 ST-CC	black
25 ST-CC	white
50 ST	black
50 ST	white
75 ST	black
75 ST	white
*75 ST SST	black
*75 ST SST	white
100 ST	black
100 ST	white
300 ST	black
300 ST	white
500 ST	black
*25 ST-MP SST	black
*25 ST-MP SST	white
50 ST-MP	black
50 ST-MP	white

MODEL

*50 ST-MP SST	black
*50 ST-MP SST	white
**75 ST-MP IFK	black
**75 ST-MP IFK	white
*75 ST-MP SST	black
*75 ST-MP SST	white
100 ST-MP	black
100 ST-MP	white
300 ST-MP	black
300 ST-MP	white
50 ST-PA	black
50 ST-TA	black
75 ST-PA	black
75 ST-TA	black
100 ST-PA	black
100 ST-TA	black
300 ST-PA	black
300 ST-TA	black

**75ST-MP are only available in IFK (Integral Fastening Kit) configuration or in stainless

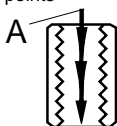
*SST denotes available Stainless Steel Ballshaft and tensioning fasteners – for effective weatherproofing of the model indicated

ST/STMP/STPA Models:

Mounts from ceiling, wall floor, deck, etc. to back, top, bottom of object. Greater mounting flexibility but somewhat less overall range of movement than is available from WA, WB, CA Models.

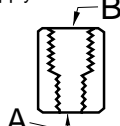
TA thread adapters

- extends ballshaft length using all-thread rod
- join ST models to create two pivot points



PA pipe adapters

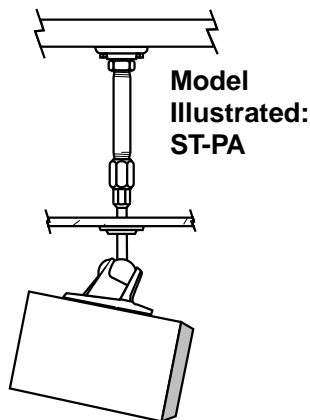
- extends ballshaft length using standard pipe available at hardware or plumbing supply stores



	25 series	50 series	75 series	100 series	300 series	300 series
A	1/4 -20	7/16 -20	1/2 - 20	5/8 -18	1-14	1 1/2 -12
B	N/A	1/2	3/4	3/4	1 1/2	2

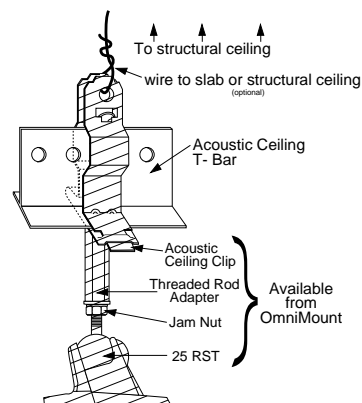
Exceptions and Variations

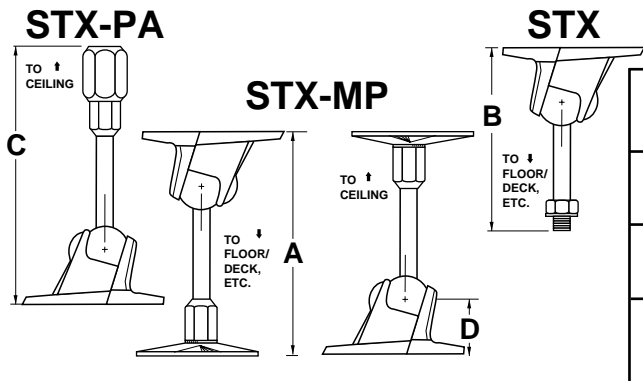
25WBX/CBX - use 50TA/50PA adapters
 PA adapters not available for 25 series models.
 75WBX/CBX and 100 WBX/CBX - require 3/4"-16TA adapters.
 PA adapters are not available for these mounts.



Ceiling Clip Adapter: ST-CC

Provides a means of suspending speakers, security cameras and other devices directly from the "T" bar support matrix commonly found in suspended ceilings. For added support the ceiling clip adapters also have a provision for attaching a guy wire directly to the structural ceiling above the plenum area. Available in the 25 series only.





	25 series	50 series	75 series	100 series	300 series	500 series
A	4 $\frac{1}{8}$ 104.8	6 $\frac{5}{8}$ 168.3	7 $\frac{1}{8}$ 181.0	9 $\frac{1}{2}$ 241.3	12 $\frac{1}{2}$ 317.5	16 406.4
B	4 $\frac{1}{8}$ 104.8	6 $\frac{1}{2}$ 165.1	7 177.8	9 $\frac{3}{8}$ 238.1	12 $\frac{1}{2}$ 317.5	15 381
C	4 $\frac{3}{4}$ 120.7	7 $\frac{1}{2}$ 190.5	8 $\frac{1}{4}$ 209.6	10 $\frac{1}{2}$ 266.7	13 $\frac{3}{4}$ 349.3	16 $\frac{7}{8}$ 428.6
D	1 $\frac{3}{16}$ 30.2	1 $\frac{3}{4}$ 44.5	2 $\frac{1}{16}$ 52.4	2 $\frac{5}{8}$ 66.7	3 $\frac{7}{16}$ 88.9	4 $\frac{1}{4}$ 111.1

MODEL

25 STX-CC	black
25 STX-CC	white
50 STX-PA	black
50 STX-TA	black
75 STX-PA	black
75 STX-TA	black
100 STX-PA	black
100 STX-TA	black
300 STX-PA	black
300 STX-TA	black
50 STX-MP	black
50 STX-MP	white
75 STX-MP	black
75 STX-MP	white

MODEL

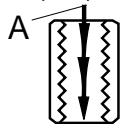
100 STX-MP	black
100 STX-MP	white
300 STX-MP	black
300 STX-MP	white
50 STX	black
50 STX	white
75 STX	black
75 STX	white
100 STX	black
100 STX	white
300 STX	black
300 STX	white
500 STX	black

STX/STXMP/STXPA Models:

Mounts from ceiling, floor, deck, etc. to top or bottom of object with an extended ballshaft length. Greater mounting flexibility but somewhat less overall range of movement than is available from WA, WB and CA Models. Not recommended for wall mounting.

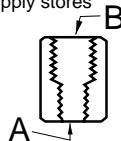
TA thread adapters

- extends ballshaft length using all-thread rod
- join ST/STX models to create two pivot points



PA pipe adapters

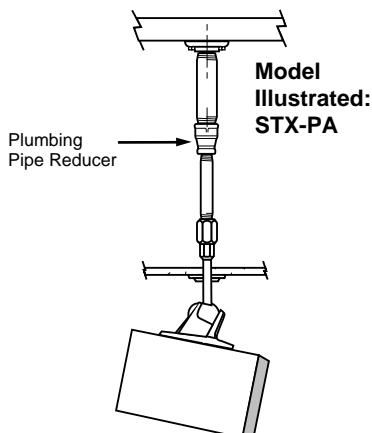
- extends ballshaft length using standard pipe available at hardware or plumbing supply stores



	25 series	50 series	75 series	100 series	300 series	300 series
A	1/4 -20	7/16-20	1/2 - 20	5/8-18	1-14	1 1/2-12
B	N/A	1/2	3/4	3/4	1 1/2	2

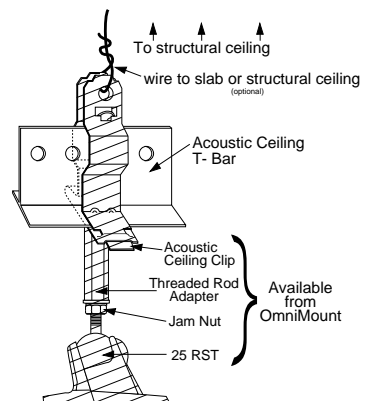
Exceptions and Variations

25WBX/CBX - use 50TA/50PA adapters
 PA adapters not available for 25 series models.
 75WBX/CBX and 100 WBX/CBX - require 3/4"-16TA adapters.
 PA adapters are not available for these mounts.



Ceiling Clip Adapter: STX-CC

Provides a means of suspending speakers, security cameras and other devices directly from the "T" bar support matrix commonly found in suspended ceilings. For added support the ceiling clip adapters also have a provision for attaching a guy wire directly to the structural ceiling above the plenum area. Available in the 25 series only.



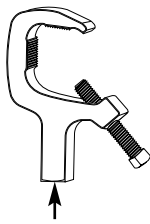
Adapters, Accessories and Special Models

C-Clamps

C-Clamp Adapter:

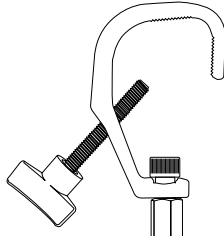
Provides a specialized solution for affixing OmniMount supported devices to a horizontal tubular structure, such as a truss or theatrical lighting grid.

25 Series



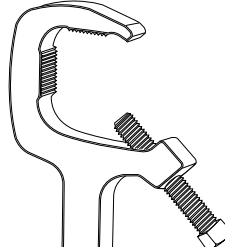
OmniMount Ballshaft attaches Here

50, 53 75 Series



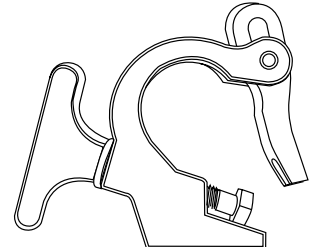
OmniMount Ballshaft attaches Here

100 Series



OmniMount Ballshaft attaches Here

300 Series



OmniMount Ballshaft attaches Here

MODEL

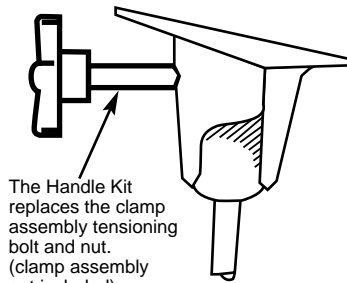
25 Series C-Clamp
53 Series (RST/RWX)
50 Series C-Clamp

75 Series C-Clamp
100 Series C-Clamp
300 Series C-Clamp

Quick Release Handle Kits

Handle Kit:

For applications that require frequent adjustment and re-adjustment of angles or require a quick release and separation of whatever is mounted to the OmniMount assembly.



The Handle Kit replaces the clamp assembly tensioning bolt and nut. (clamp assembly not included).

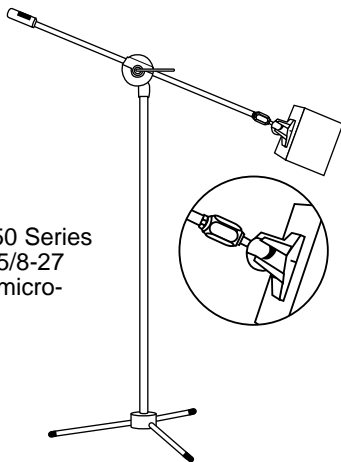
MODEL

25 H	black
50 H	black
75 H	black

Microphone Stand Adapter

25MA, 50MA

Adapts 25 and 50 Series to the standard 5/8-27 thread used on microphone stands.



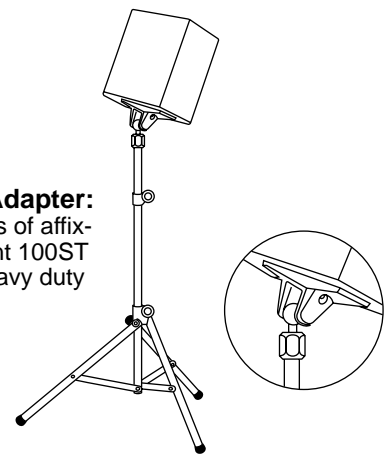
MODEL

2500 MA
5000 MA

Tripod Stand Adapter

Tripod Stand Adapter:

Provides a means of affixing an OmniMount 100ST to the top of a heavy duty tripod stand.



MODEL

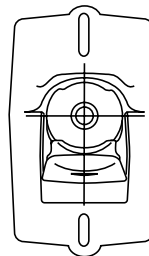
100 TPD-1
100 TPD-2

Slotted Clamp Assembly

SL:

Slotted Clamp assembly offers a mounting option for speakers that are provided with two large factory installed inserts. The two insert "standard" is often found on speakers used for Public Address (PA) applications and music or sound reinforcement.

The Slotted Clamp assembly can be used for example, in conjunction with the OmniMount Tripod adapter (TPD) thus, providing focusing capability for loudspeakers mounted on a tripod stand.



MODEL

100 WB-SL	black
100 WBX-SL	black
100 STX-PA-SL	black
100 STX-MP-SL	black

MODEL

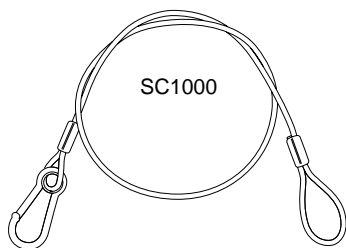
100 STX-SL	black
100 ST-SL	black
100 ST-MP-SL	black
100 ST-PA-SL	black

Safety Cables

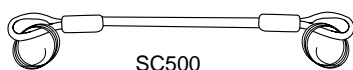
Safety Cables:

For secondary support or safety back-up.

Use SC-1000 with larger speakers (OmniMount Series 75-300).



Use SC-500 with smaller speakers (OmniMount Series 25-50/53).



MODEL

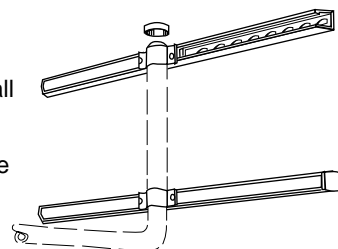
SC-1000
SC-500

Strut Member Kit

*The SM kit is included in the price of these models.

Strut Member (SM):

36" unistrut member—long enough to traverse three wall studs. Used for wider load distribution on wall surface. (Available in Black only)-See Page 17 for more details.



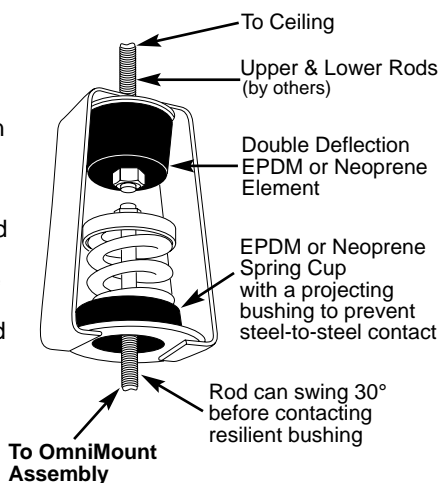
MODEL

SM kit/300 Series
SM kit/500 Series
*300 WA-SM
*300 WB-SM
*300 WBX-SM
*500 WB-SM
*500 WBX-SM

Vibration Isolators

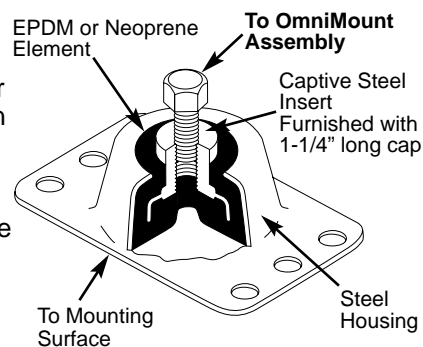
Ceiling Vibrator Isolator:

Ideal for suspended ceiling installations, this double deflection isolator incorporates rubber components and isolating spring. It is typically fastened between two lengths of threaded rod: One length extends upward and is affixed to the structural ceiling. The other length extends downward, coupling to the OmniMount assembly.



Wall Vibrator Isolator:

This type of isolator is installed between the mounting surface and the OmniMount Assembly. It can be fastened to wall brackets, mounting plates and clamp assemblies.



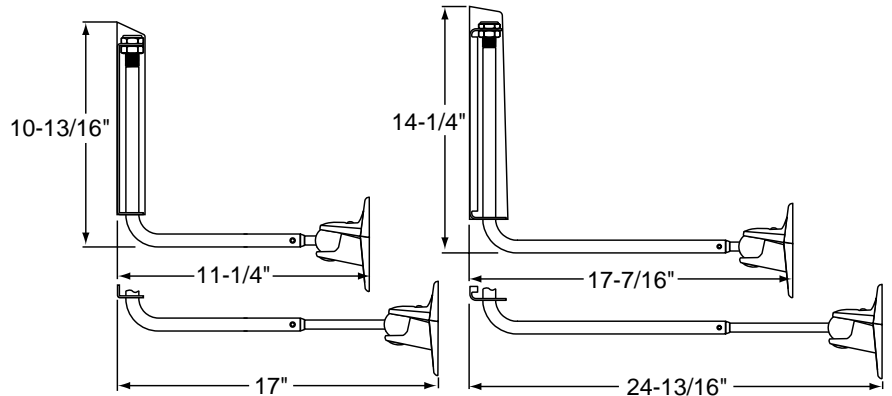
MODEL

ISO-100-W
ISO-100-C

Telescoping Wall Mounts

WT:

The Wall/Telescoping products are designed specifically to mount left, right and center channel home theater speakers. The special "telescoping" mounts solve problems associated with "Boundary Reflections" by allowing you to telescope the speakers outward, from the wall, flush with the face of the T.V.



MODEL

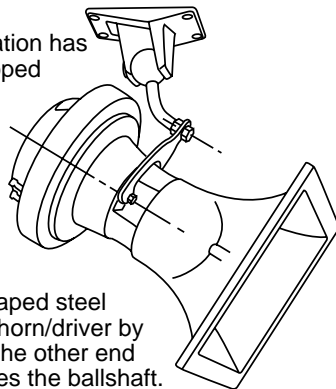
53 WT
75 WT

NOTE: Telescoping wall mounts are designed to be mounted on walls only. They should not be considered for ceiling or floor mounting.

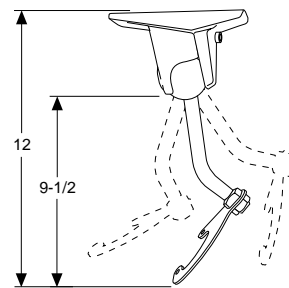
Universal Driver Mounts

UDM:

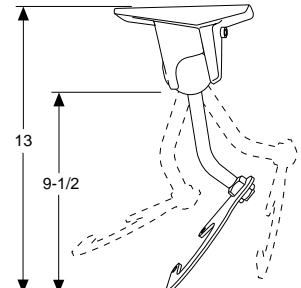
This mounting configuration has been specifically developed for the easy installation and quick alignment of professional horn/driver loudspeakers---as used in stadiums and arenas, churches, etc. and for concert sound reinforcement.



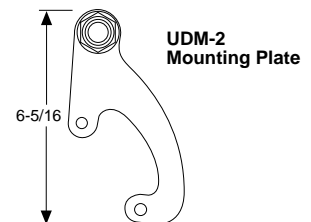
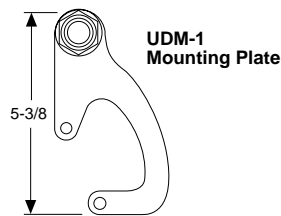
One end of the claw-shaped steel plate is attached to the horn/driver by two mounting screws. The other end of the steel plate receives the ballshaft. The ballshaft is formed at a 45° angle to maximize precise focusing position. The claw-plate attaches at the top face of the horn flange and bolts directly into the driver housing—with no compromising of the mating surfaces. Adapters and other accessories are also available for added installation flexibility.



The Model 100 UDM-1 fits horn/driver combinations using a 2-1/4" bolt circle with 3 holes on 120° centers



The Model 100 UDM-2 fits horn/driver combinations using a 4" bolt circle with 4 holes on 90° centers



MODEL

100 UDM-1 black
100 UDM-2 black

OmniMount® Systems, Inc • The Pointe at South Mountain
8201 South 48th Street • Phoenix, Arizona 85044-5355
Voice: (602) 829-8000 • Fax: (602) 756-9000
email: hdqrs@omnimount.com • Web: www.omnimount.com
Technical Support – Toll Free: 1-800-MOUNT-IT! (668-6848)