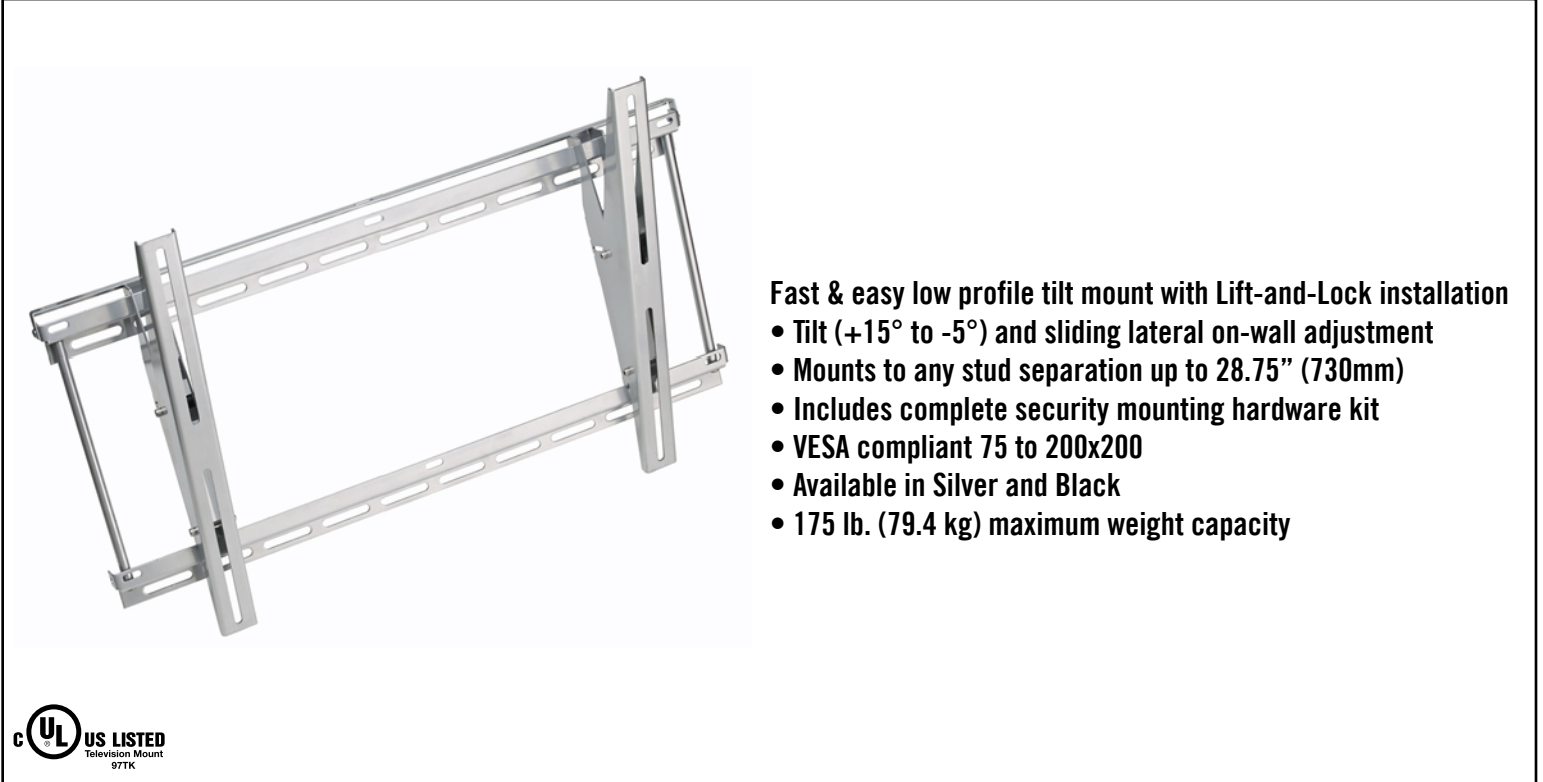


| TECHNICAL SPECIFICATIONS |             |                |
|--------------------------|-------------|----------------|
| A                        | 14.75"      | 374.65mm       |
| B                        | 12.00"      | 304.80mm       |
| C                        | 9.90"       | 251.46mm       |
| D                        | 32.50"      | 825.50mm       |
| E                        | 28.75"      | 730.00mm       |
| F                        | 30.00"      | 762.00mm       |
| G                        | 2.05"       | 52.07mm        |
| H                        | 2.78"       | 70.61mm        |
| I                        | 19.75"      | 501.65mm       |
| J                        | 21.00"      | 533.40mm       |
| K                        | 1.78"       | 45.21mm        |
| L                        | 2.34-27.75" | 59.40-704.90mm |
| M                        | 2.73"       | 69.34mm        |
| N                        | 7.00"       | 177.80mm       |
| O                        | NA          | NA             |
| P                        | 1.00"       | 25.40mm        |
| Q                        | 1.07"       | 27.18mm        |
|                          |             |                |
|                          |             |                |
|                          |             |                |
|                          |             |                |
|                          |             |                |



- Fast & easy low profile tilt mount with Lift-and-Lock installation**
- Tilt (+15° to -5°) and sliding lateral on-wall adjustment
  - Mounts to any stud separation up to 28.75" (730mm)
  - Includes complete security mounting hardware kit
  - VESA compliant 75 to 200x200
  - Available in Silver and Black
  - 175 lb. (79.4 kg) maximum weight capacity

