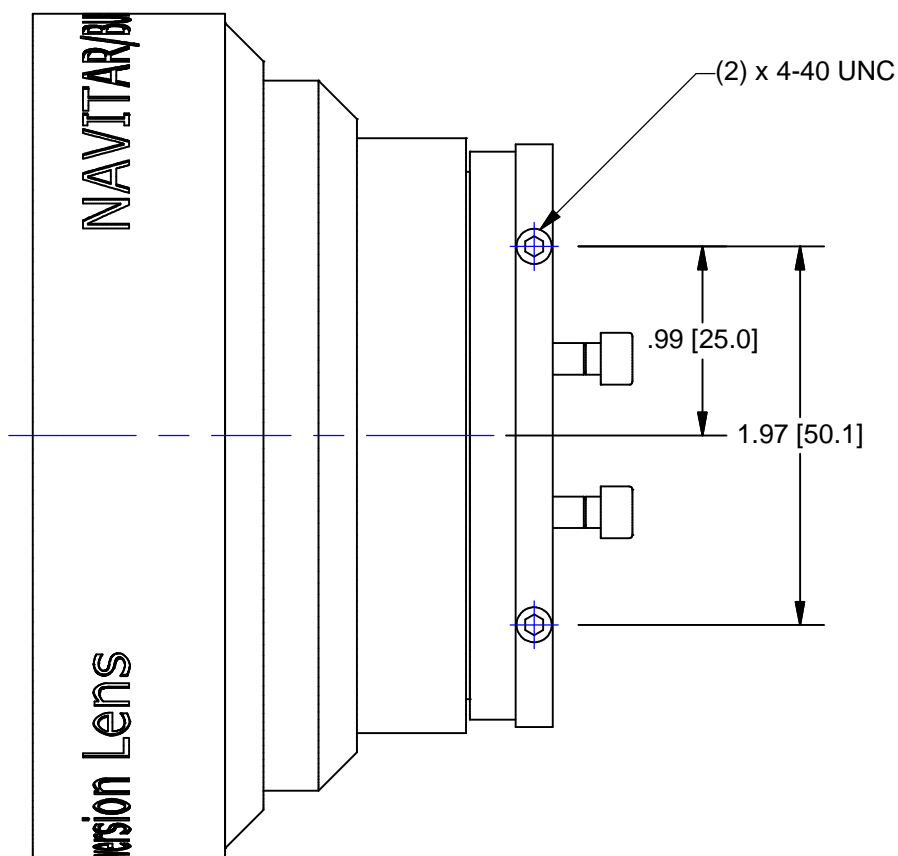
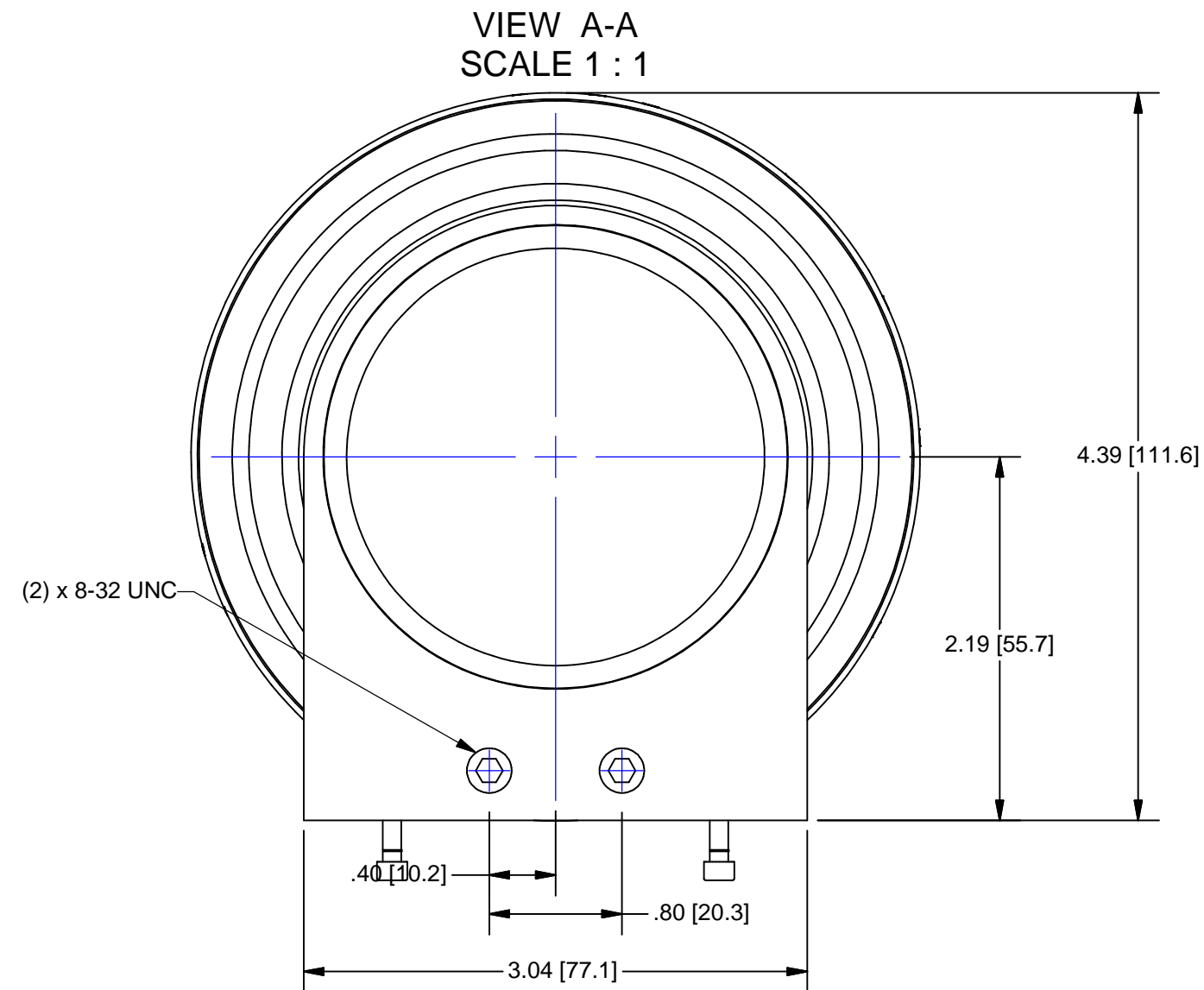


WEIGHT - 1.031 LBMASS



# OUTLINE

USED ON:  
MATERIAL:

UNLESS OTHERWISE SPECIFIED  
DIMENSIONS ARE IN INCHES AND  
INCLUDE CHEMICALLY APPLIED  
OR PLATED FINISHES

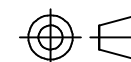
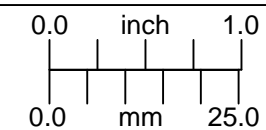
**P/N SUFFIX DEFINITION**  
-1 CONVERSION COATING  
-2 PAINTING  
-3 MARKING  
-R REWORK

THE CONTENTS OF THIS  
DOCUMENT ARE PROPRIETARY  
TO NAVITAR, ITS USE IS  
AUTHORIZED ONLY FOR  
RESPONDING TO REQUEST FOR  
QUOTATION OR PERFORMANCE  
OF WORK FOR NAVITAR



**TOLERANCES AS FOLLOWS**  
DEC. .XXX ± .005  
DEC. .XX ± .010  
FRACT. ± 1/64  
ANGLES ± 30'  
CONCENTRICITY .003 TIR  
BREAK ALL SHARP EDGES  
.005 MIN. .010 MAX.  
CHAMFER ALL THREADS 30°  
TO ROOT DIAMETER  
MAX. SURF. ROUGHNESS: 32

**SCALE: 1:1**  
DR: R. PODLENA  
CH: P. BONAFEDE  
APP:  
DATE DR: 12/4/2003  
DO NOT SCALE DRAWING



SCREENSTAR 0.8X WIDE ANGLE  
ADAPTER

SIZE	1-16306	REV
B	SHEET 1 OF 1	B