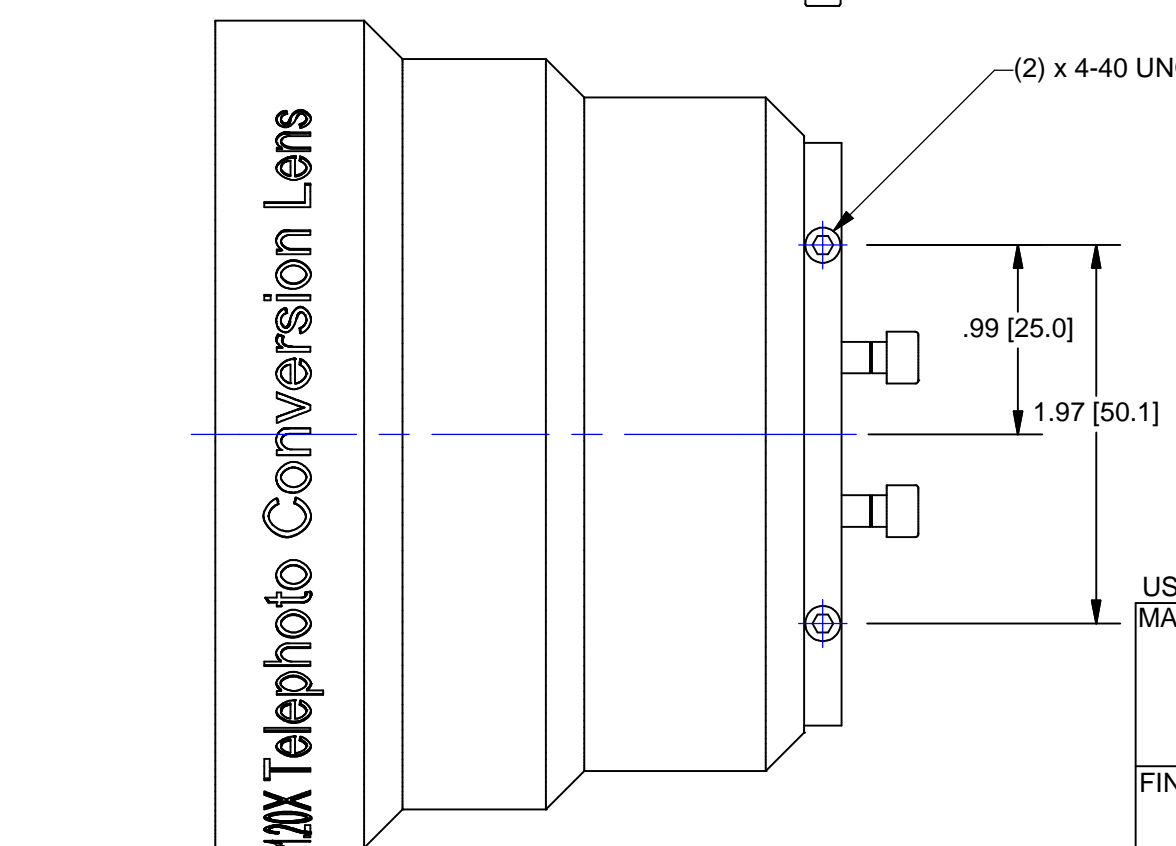
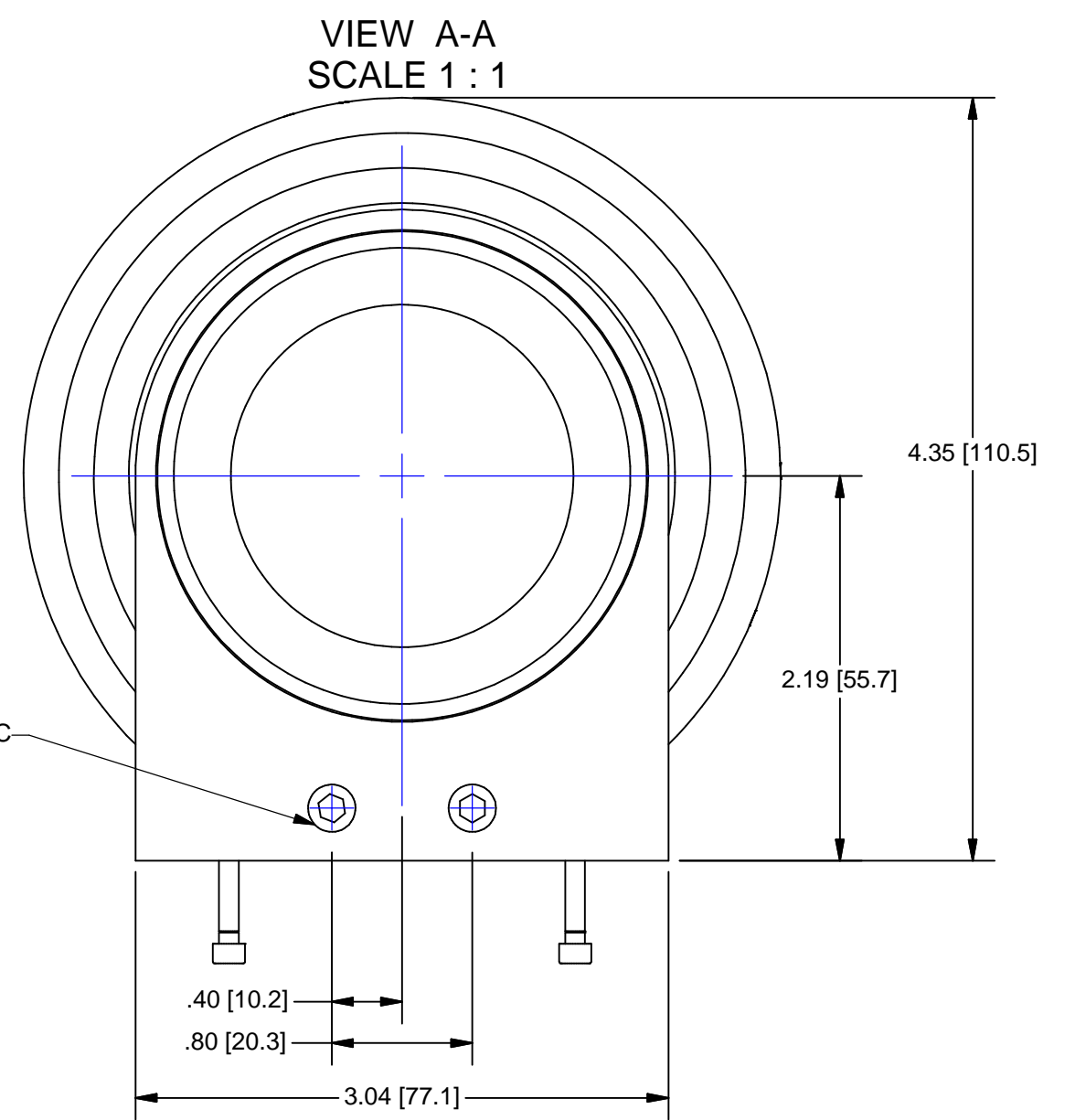


A
 ←
 WEIGHT - 1.298 LBMASS



A
 ←



OUTLINE

USED ON:
 MATERIAL:
 FINISH:
 CHAMFER ALL THREADS 30° TO ROOT DIAMETER

UNLESS OTHERWISE SPECIFIED DIMENSIONS ARE IN INCHES AND INCLUDE CHEMICALLY APPLIED OR PLATED FINISHES

TOLERANCES AS FOLLOWS
 DEC. .XXX ± .005
 DEC. .XX ± .010
 FRACT. ± 1/64
 ANGLES ± 30'
 CONCENTRICITY .003 TIR
 BREAK ALL SHARP EDGES .005 MIN. .010 MAX.
 MAX. SURF. ROUGHNESS: 32

P/N SUFFIX DEFINITION
 -1 CONVERSION COATING
 -2 PAINTING
 -3 MARKING
 -R REWORK

SCALE: 1:1
 DR: R. PODLENA
 CH: P. BONAFEDE
 APP:
 DATE DR: 11/26/2003
 DO NOT SCALE DRAWING

THE CONTENTS OF THIS DOCUMENT ARE PROPRIETARY TO NAVITAR, ITS USE IS AUTHORIZED ONLY FOR RESPONDING TO REQUEST FOR QUOTATION OR PERFORMANCE OF WORK FOR NAVITAR

0.0 inch 1.0
 0.0 mm 25.0



SCREENSTAR 1.25X TELEPHOTO ADAPTER		
SIZE	1-16303	REV
B	SHEET 1 OF 1	B