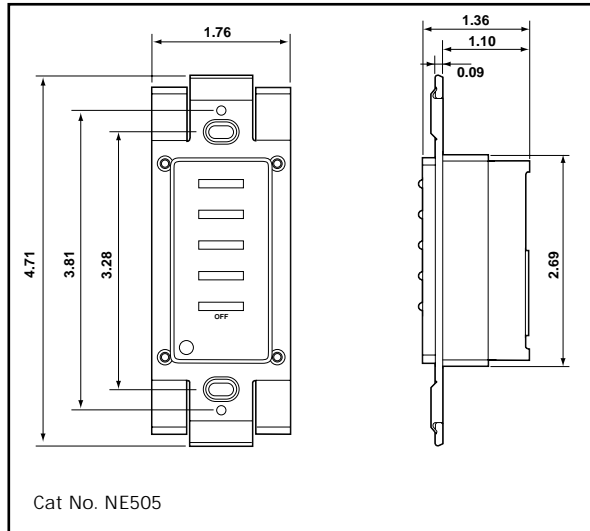


NE505 Scene Controller with Infrared

APPLICATION

The NE505 Scene Controller is a Decora-style device that sends commands for four distinct scenes (ganging adds more scene choices) or an off to compatible scene dimmers. The unit provides a unique, entry pad interface with an infrared receiver for use with any standard remote control, including a compatible Leviton remote. It comes in white with a matching wallplate, and with an ivory color change kit for the switch. The NE505 is ideal for secondary entranceways within D3200 Systems.

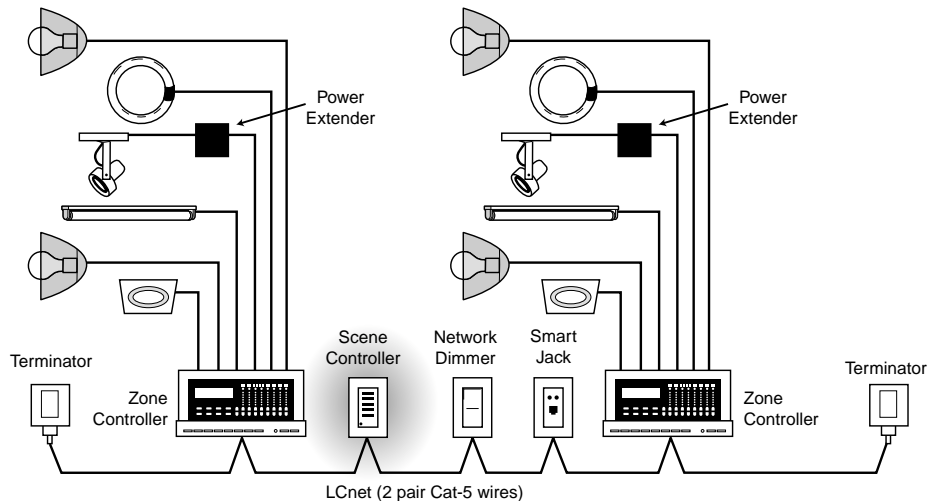


NE505 Scene Controller

OPERATION

The NE505 incorporates a programming function that configures the Scene Controller to four, selectable and consecutive scene numbers (for example, Scene 1 through 4 or Scene 5 through 8). Once programmed, pressing a scene button adjusts the lights to that scene within the active configuration. The NE505 also features an off button.

While a single NE505 Scene Controller may only be used to select amongst four scenes, this number can be expanded to 32 scenes by ganging up to seven additional units.



LEVITON SPECIFICATION SUBMITTAL

JOB NAME:	CATALOG NUMBERS:
<input type="text"/>	<input type="text"/>
JOB NUMBER:	<input type="text"/>

NE505

FEATURES & BENEFITS

- Each NE505 can recall four consecutive scenes (1-4, 5-9... 29-32) for up to 256 configurations
- Different consecutive scenes can be selected for different configurations
- Gangable with 7 additional units for selection of up to 32 scenes
- Off button will illuminate when lights are off for easy location in the dark
- Designer Decora styling enhances any décor
- Entry pad design for high-tech look and feel
- Learning IR receiver is compatible with a standard remote control (See separate product specification for details on a compatible Leviton NE210 Remote Control.)

SPECIFICATIONS

Electrical

Input Voltage: 24VDC

Input Current: 24mA

Power Consumption: less than 1W

Testing/Code Compliance: UL Listed, CSA Certified, FCC Part 15

Infrared Range: 40 feet

Angle of Infrared Acceptance: 100°

Physical

Size: 4.71 x 1.76 x 1.36in. (12.0 x 4.5 x 3.5cm)

Color: white (with matching wallplate and ivory color change kit for snap-on switch)

Environmental

Operating Temperature Range: 0°C to +55°C

Storage Temperature Range: -10°C to +70°C

Relative Humidity: 20% to 90% non-condensing

Warranty: Limited 2-Year Warranty

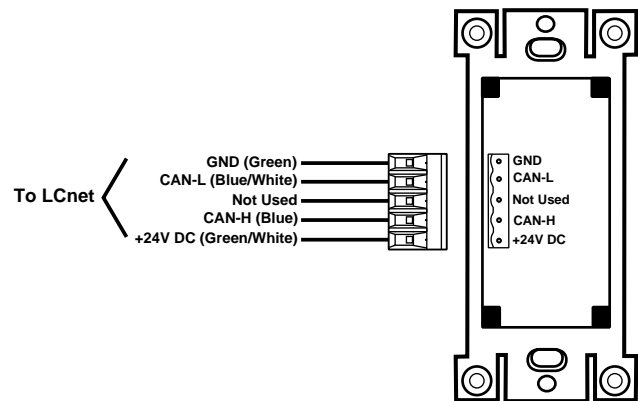
INSTALLATION

Low Voltage Class 2 Wiring

- Daisy chain to LCnet bus.
- Make connections in junction box no longer than 29ft drop.
- Use CAT5-type twisted pair wiring.

Programming

The Scene Controller will default to Scenes 1 through 4. The NE505 must be programmed to select another 4 consecutive scenes, or to select different scenes for different groups/configurations.



LEVITON SPECIFICATION SUBMITTAL

JOB NAME:	CATALOG NUMBERS:	
<input type="text"/>	<input type="text"/>	<input type="text"/>
JOB NUMBER:	<input type="text"/>	<input type="text"/>