

System Summary

This summary is intended to explain, in general terms, some of the possible uses and reasons for having the recommended equipment shown in the following pages.

These pages are only meant to be a starting point, a tool to begin the design process which will give you a better understanding of the types of components which are needed to put together a flexible and fully functional dimming system.

If, after reviewing this information, you have further questions you are invited to contact a local Leviton/NSI Lighting Controls Representative for further assistance in putting together a system that meets the needs of your facility.

General Layout

This layout is recommended for a Small Church with a platform located at one end of the facility. This Bill of Material is recommended for a platform approximately 15' by 30'.

Dimming & Control

The dimmers dedicated to the platform circuits will allow a great deal of flexibility for lighting several different types of services or events which may be presented in a facility of this type. The system also supports the addition of additional lighting through the use of circuit splitters, known as "Two-fers", to add additional fixtures without the need to add dimmers. The difference in dimmer count between the circuits shown on the System Layout and the Bill of Material is the number of circuits being dedicated to House Lights.

The control console is extremely easy to program and to operate. The console has 24 memory scenes or "submasters" available for programming. All that is needed to recall a saved lighting look, or "scene", is to activate a single slider. This means that 24 different scenes can be stored at the same time and be kept for future use. This can be extremely important for a facility that hosts several different events or productions.

The Master House Lights control allows for 4 programmable zones of control and 4 programmable presets or "looks" in any combination of house and platform dimmers. The preset stations can be programmed to be independent of the Main Control Station, or they can be programmed to mimic the preset buttons on the Main Control Station.

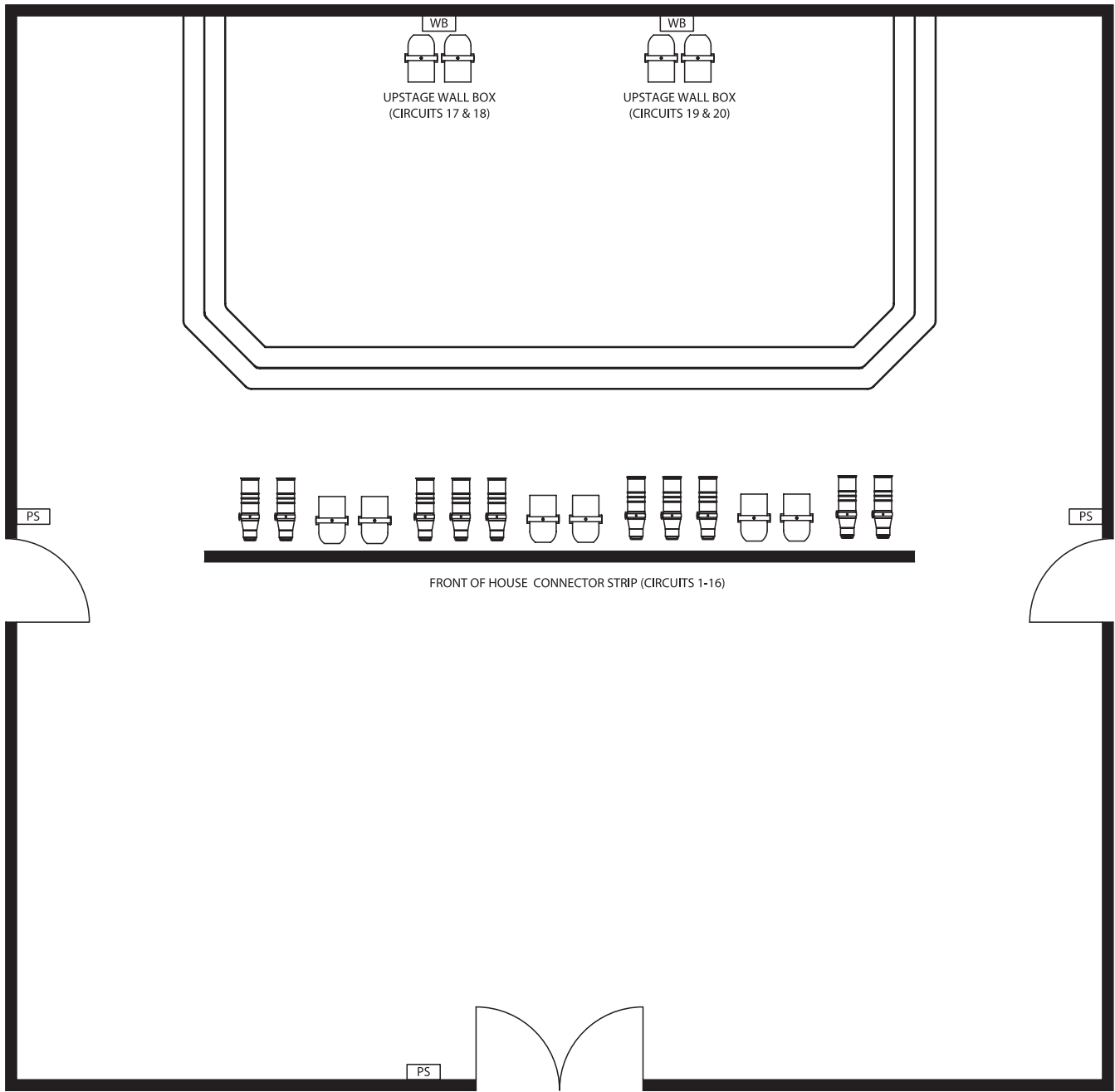
Power Distribution

The combination of Connectors Strips and Wall Pockets helps to maximize the flexibility of system by providing power distribution to upstage area of the platform, as well as the Front of House position. This allows for back lighting, which draws attention to certain areas and visually increases the depth of the platform.

Fixtures & Accessories

The selection of Fixtures and Accessories provides for a versatile lighting plot using general area lighting for the platform overall while maintaining a small amount of fixtures for highlighting key areas and providing backlight. The actual fixture requirement, however, would depend upon the requirements of the facility.

Church Layout Small



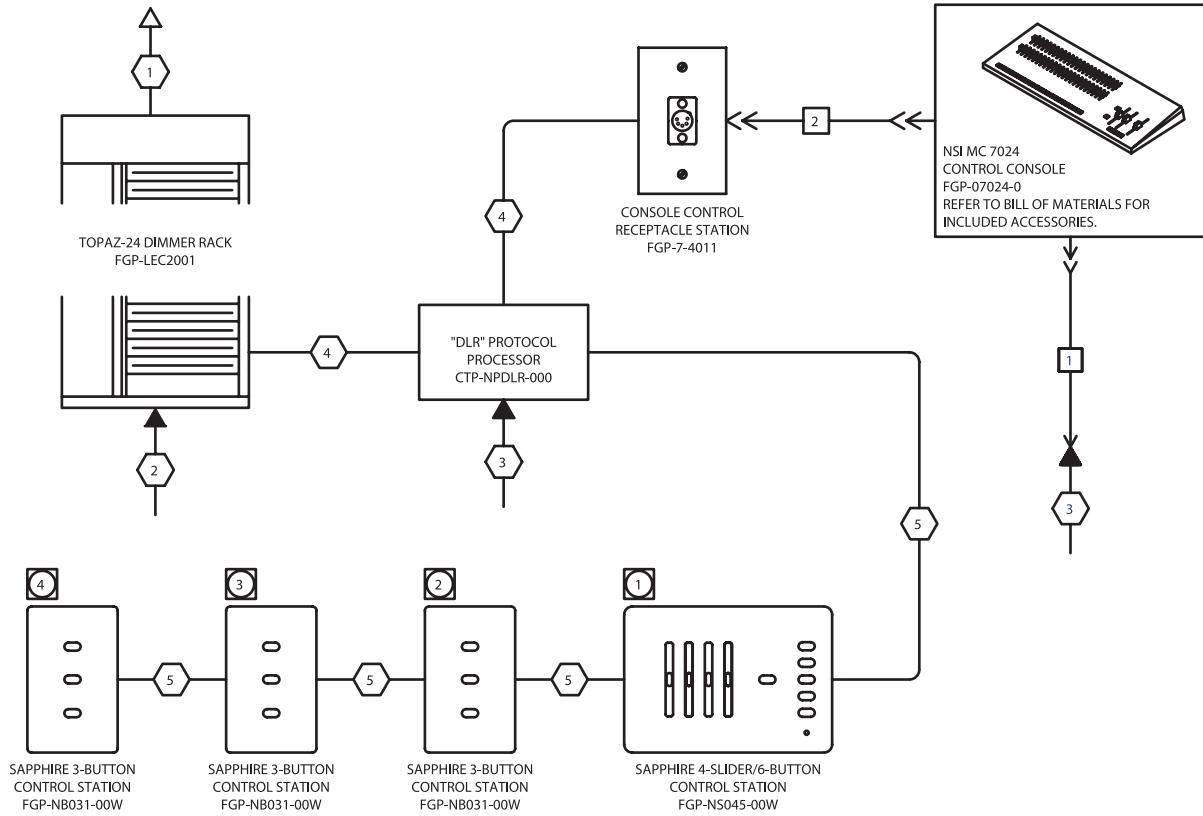
PAR64

WB WALL MOUNTED PLUG BOX

PS PRESET STATION



30° ELLIPSOIDAL



WIRE RUNS NOT BY LEVITON.

- 1 LOAD CIRCUITS:
(24) 20A, 120VAC, 2 WIRE (PULL SEPARATE NEUTRALS)
- 2 MAIN FEED:
BUSSING RATED FOR 200 AMPS, MAX. CAPACITY. 3y,
4 WIRE PLUS GROUND 208Y/120VAC, 60HZ FEED. AMPERAGE RATING OF MAIN
DISCONNECT TO BE DETERMINED AND PROVIDED BY OTHERS.
- 3 LINE: 15AMP, 120VAC, 2 WIRE PLUS GROUND, 60HZ.
- 4 (1) - DMX CABLE: PER WIRING CHART LABELED PER DRAWING
- 5 (1)- LUMANET CABLE: PER WIRING CHART LABELED PER DRAWING.

CABLES PROVIDED BY LEVITON.

- 1 6' CONSOLE POWER CORD W/ NEMA 5-15P PLUG PROVIDED WITH CONTROL CONSOLE.
- 2 25' DMX CONTROL CABLE. MODEL CTP-7-3014

NOTES: (UNLESS OTHERWISE SPECIFIED)

- THIS DRAWING DOES NOT INDICATE THE NUMBER OR SIZE OF CONDUITS REQUIRED, BUT THE SEPARATION OF GROUPS OF WIRES. INTERCONNECTING WIRE AND CONDUIT ARE NOT BY LEVITON.
- WHEREVER CONTROL WIRES SHOWN MUST BE RUN CLOSE TO CLASS 1 REMOTE CONTROL AND SIGNALING CIRCUITS AND/OR ELECTRICAL LIGHT AND POWER CIRCUITS, THESE CONTROL WIRES MUST BE RUN IN SEPARATE METAL CONDUIT.
- PROVIDE AN EQUIPMENT GROUND, AS REQUIRED BY THE NATIONAL ELECTRICAL CODE, BETWEEN BUILDING SERVICE ENTRANCE AND THE DIMMER EQUIPMENT.
- CABLE RUNS ARE CONTINUOUS BETWEEN CONNECTED DEVICES. NO SPLICING ALLOWED.
- "DMX" CABLE RUN FROM END TO END, INCLUDING PLUG-IN CABLE(S), NOT TO EXCEED 1000 FEET. DAISY CHAIN ONLY, NO STARRING ALLOWED.
- LUMANET "LN" CABLE RUN FROM END TO END, NOT TO EXCEED 2000 FEET. DAISY CHAIN ONLY, NO STARRING ALLOWED.
- 3 1/2" DEEP INDUSTRY STANDARD GANG BACK BOXES NOT PROVIDED BY LEVITON. BACK BOXES MUST BE GROUNDED.
- SET DEVICE ADDRESS TO THE NUMBER SHOWN IN THE SYMBOL.
- FOR LOW VOLTAGE CIRCUITS, THE MAGNETIC STEPDOWN TRANSFORMER PRIMARY SHOULD BE FUSED. USE MAGNETIC TRANSFORMERS ONLY. (TRANSFORMERS & FUSES NOT BY LEVITON)

LUMANET CABLE WIRING CHART. FOR "LN" CABLE RUNS.
BELDEN #9829 LOW CAPACITANCE SHIELDED 2 TWISTED PAIR
& (2) 14 AWG MIN. STRANDED CU CONDUCTORS

COLOR	PAIR NO.	TERMINAL	FUNCTION
SHIELD	SHIELD	*	-
WT W/BL STRIPE	1	1	REM+
BL W/WT STRIPE		2	REM-
WT W/OR STRIPE	2	N/C	-
OR W/WT STRIPE		N/C	-
BLACK (14AWG)		3	COM
RED (14AWG)		4	+V

* SHIELDS TO BE TIED TOGETHER AND INSULATED.

DMX CABLE WIRING CHART. FOR "DMX" CABLE RUNS.
BELDEN #9829 LOW CAPACITANCE SHIELDED
2 TWISTED PAIR.

COLOR	PAIR NO.	PIN/ TERM.
SHIELD	SHIELD	1
WT W/BL STRIPE		2
BL W/WT STRIPE	1	3
WT W/OR STRIPE		4
OR W/WT STRIPE	2	5

Bill of Material

Typical Small Church

ITEM	QTY	PART NO.	DESCRIPTION
1.0	1	FGP-LEC2001	Dimmer Rack Topaz 24 Dimmer Rack, for: 24 - 20A Dimmed Circuits 1 - 200A Maximum 208/120VAC WYE, 60Hz, 3ø4W plus Ground Feed, with Main Lugs Only
1.1	12	CTP-166-362	Dual 2.4kW Dimmer Module
1.2	1	CTP-LEC2102	Remote Control Module
2.0	1	CTP-NPDLR-000	Network Protocol Converter NPC/DLR
3.0	1	FGP-07024-0	Control Console MC 7024 24/48 Channel Control Console
3.1	1	OPT-07512-09	DMX Interface Kit for MC 7008, 7016, and 7024
3.1	1	CTP-7-3014	25' Console DMX Control Cable
3.2	1	CTP-7-4011	Single-Gang Control Wallplate, with: 1 - DMX Input Receptacle <i>Note: Requires 1-gang back box by others.</i>
4.0	1	FGP-NS045-00W	Control Station Sapphire Station w/ 4 Sliders & 6 Buttons, White <i>Note: Requires 3-gang back box by others.</i>
5.0	3	FGP-NB030-00W	Remote Station Sapphire Station w/ 3 Buttons, White <i>Note: Requires 1-gang back box by others.</i>
6.0	1	BOI-172000-00	Connector Strip BAL Series Connector Strip, with: 44 - Feet of 4.75" high x 3.375" deep Wireway 16 - 20A Circuits 16 - 20A L5-20 (Locking) 18" Pigtail Receptacles 10 - Single Pipe Hanger Brackets and Standard 2" Die Cut Circuit Labels
7.0	2	BOI-174000-00	Recessed Mount Plugging Box RM Series Plugging Box, with: 2 - 20A L5-20 (Locking) Flush Receptacles

Bill of Material

Typical Small Church *(continued)*

ITEM	QTY	PART NO.	DESCRIPTION
8.0	10	CTP-650-035	<p>30 Degree Ellipsoidal Spotlight 30 Degree Ellipsoidal with "C" Clamp, Color Frame, Safety Cable and 3' cord</p> <p>20A L5-20 (Locking) Connector (attached to Fixture)</p> <p>750W EHG Lamp</p> <p>Note: The 30 Degree Ellipsoidal Spotlight is shipped with the parts to convert it to a 20 Degree or 40 Degree unit.</p>
8.1	10	OPT-00006-02	
8.2	10	CTP-176-187	
9.0	10	FGP-PAR64-B	<p>PAR64 Black PAR64 with Color Frame and 3' cord</p> <p>20A L5-20 (Locking) Connector (attached to Fixture)</p> <p>C-Clamp</p> <p>Safety Cable</p> <p>1000W FFR Lamp (MFL), 120V</p>
9.1	10	OPT-00006-02	
9.2	10	CTP-158-003	
9.3	10	CTP-138-059	
9.4	10	CTP-176-059	
10.0	30	BOI-128000-00	<p>Color Media Sheet of Lee Color Media, Standard Color</p>
11.0	1	FGP-ECO-010	<p>Engineering Check-Out (ECO) Service Engineering Check-Out: Maximum one (1) day ECO by NSI Technician on-site (USA only). This service covers standard NSI equipment only, with no greater than 48 dimmer channels and no greater than 5 control stations. ECO requires a minimum of three (3) weeks advance notice.</p>



For more information, contact your Leviton representative or:

Leviton Manufacturing Co., Inc.

P.O. Box 2210 Tualatin, Oregon 97062

Phone: (503) 404-5500 • Fax: (503) 404-5600

Tech Line (8:30AM-7:30PM E.S.T. Monday-Friday) 1-800-824-3005

www.leviton.com

