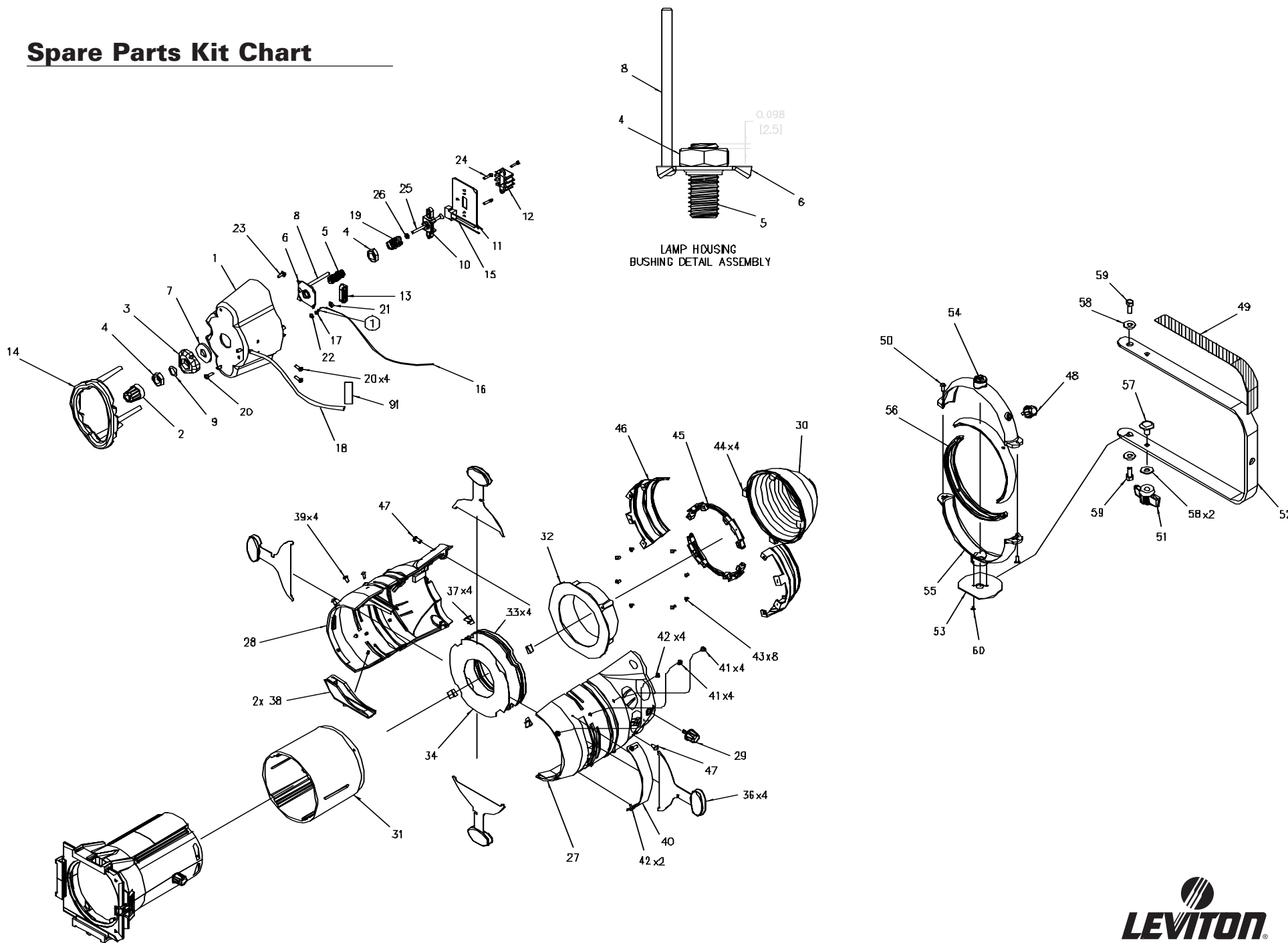


Spare Parts Kit Chart



Item*	Description	Qty.**
LeLsp-yk-b, Steel Yoke, Black		
52	Yoke, Bent	1

Item*	Description	Qty.**
LeLsp-hdw-yk, Yoke Hardware Kit		
51	Tilt Handle	1
57	5/16-18 x 1/2" Step Bolt, Steel, Zinc	1
58	5/16" Flat Washer, Steel, Zinc	3
59	5/16 - 18 x 3/4" Hex Bolt, Steel, Zinc	2

Item*	Description	Qty.**
LeLsp-knob, Fixture Knobs		
29	Lamp housing Locking Handle	1
48	Locking Handle	1
73	Locking Handle	1
74	#10 Flat Washer, Steel, Zinc	1

Item*	Description	Qty.**
LeLsp-lens216, "Red Mark" Lens Kit		
64	Lens A (4.5 x 6.25)	1
75	Lens Cushions	4
76	Lens Cushions - modified	4

Item*	Description	Qty.**
LeLsp-lens217, "Blue Mark" Lens Kit		
65	Lens B (4.5 x 7.5)	1
75	Lens Cushions	4
76	Lens Cushions - modified	4

Item*	Description	Qty.**
LeLsp-lens218, "No Mark" Lens Kit		
66	Lens C (4.5 x 9.25)	1
75	Lens Cushions	4
76	Lens Cushions - modified	4

Item*	Description	Qty.**
LeLsp-lens219, "5.2 dia" Lens Kit		
75	Lens Cushions	4
76	Lens Cushions - modified	4
67	Lens D (5.2 x 12)	1

Item*	Description	Qty.**
LeLsp-gelspr-b, Gel Frame Spring Kit		
61	Gel Jaw Release Mechanism	1
70	Gel Clip Spring	1

Item*	Description	Qty.**
LeLsp-hdw-focus, Lamp Focus Position Hardware		
2	Lamp Focus Knob	1
3	Lamp Center Knob	1
4	9/16 - 18 Hex Jam Nut, Steel, Zinc	2
7	9/16" X 1.469" Washer, Steel, Zinc	1
9	Center Crescent Shape Spring	1

Item*	Description	Qty.**
LeLsp-socket, Lamp socket Kit		
5	Center Knob Bushing	1
6	Threaded Cleat Washer	1
10	Lamp holder Bracket	1
11	Retaining Bracket	1
12	Heat Sink	1
13	Cord Grip	1
15	Lampholder, 969	1
16	Ground Wire	3.5
17	Terminal Ring 18-22, #8 hole	1
18	Sleeving, acrilglas	3
19	Lamp Adjust Spring, 9/16 x 1.500	1
20	8-32 x 5/8" SEMS Pan Head Phillips, Steel, Black Oxide	3
21	8-32 Keps Nut, Steel, Zinc	1
22	#8 Star Washer, Black Oxide	1
24	6-32 x 1/2" Filister Head Phillips, Steel, Black Oxide	3
25	10-24 x 3.5" Flat Head Phillips, Steel, Zinc	1
26	10-24 KEPS Nut, Steel, Zinc	1

Item*	Description	Qty.**
LeLsp-shtr, Shutter Blades, Set of (4)		
36	Shutter	4

Item*	Description	Qty.**
LeLsp-shtr-spcr, Shutter Spacers		
34	Gate	1
33	Shutter Spacer	4
37	Spring Shutter Clips	4

Item*	Description	Qty.**
LeLsp-gobo-b, Gobo Slot Cover Kit		
40	Gobo cover	1
42	8-32 x 5/16" SEMS Pan Head Phillips, Steel, Black Oxide	2

Item*	Description	Qty.**
LeLsp-reflec, Reflector kit		
30	Reflector	1
45	Reflector Mount	2
46	Reflector Support	2
44	Lens Cushions - modified	4
43	6-32 x 1/4" Pan Head Phillips, Steel, Black Oxide	8

Item*	Description	Qty.**
LeLsp-hndl-b, Lamp Housing Handle, Black		
14	Handle	1
23	10-24 x 1/2" SEMS Pan Head Phillips, Steel, Black Oxide	3

Item*	Description	Qty.**
LeLsp-lh-b, Lamp Housing, Complete		
1	Lamp Housing	1

* Cross reference with above illustration.
** Quantity supplied in Spare Parts Kit.

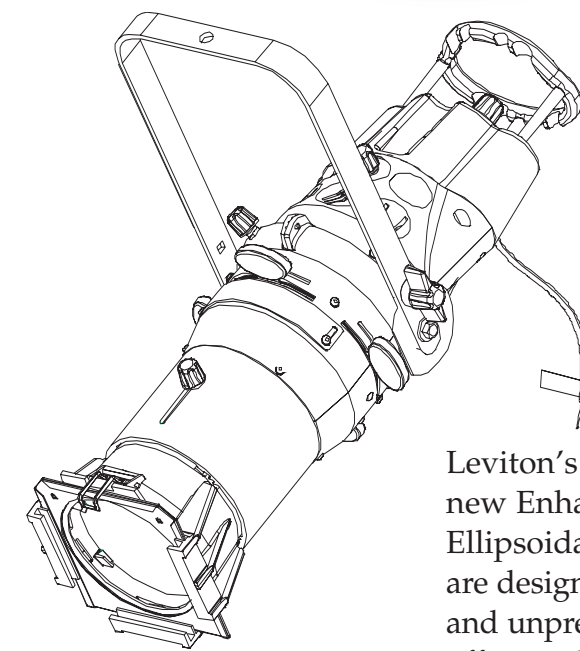
Warranty Information: LEVITON LIGHTING CONTROLS DIVISION of Leviton manufacturing Co. Inc. warrants its Dimmer Systems and Controls to be free of material and workmanship defects for a period of two years after system acceptance or 26 months after shipment, whichever comes first. This Warranty is limited to repair or replacement of defective equipment returned Freight Pre-Paid to Leviton Lighting Controls Division at 20497 Teton Ave., Tualatin, Oregon 97062, USA. User shall call 1-800-959-6004 and request a return authorization number to mark on the outside of the returning carton, to assure that the returned material will be properly received at Leviton. All equipment shipped back to Leviton must be carefully and properly packed to avoid shipping damage. Replacements or repaired equipment will be returned to sender freight prepaid, F.O.B. factory. Leviton is not responsible for removing or replacing equipment on the job site, and will not honor charges for such work. Leviton will not be responsible for any loss of use time or subsequent damages should any of the equipment fail during the warranty period, but agrees only to repair or replace defective equipment returned to its plant in Tualatin, Oregon. This warranty is void on any product that has been improperly installed, overloaded, short circuited, abused, or altered in any manner. Neither the seller nor Leviton shall be liable for any injury, loss or damage, direct or consequential arising out of the use of or inability to use the equipment. This Warranty does not cover lamps, ballasts, and other equipment which is supplied or warranted directly to the user by their manufacturer. Leviton makes no warranty as to the Fitness for Purpose or other implied Warranties.

LEO™

Enhanced Performance Ellipsoidal Reflector Spotlight

User Guide for
15°, 19°, 26°, 36°, 50°
Spotlights

Models: #LeLxx



Leviton's revolutionary new Enhanced Performance Ellipsoidal Reflector Spotlights are designed for both ease-of-use and unprecedented performance offering the following features:

- Unparalleled Soft Focus Capabilities
- Cool-Touch handles
- Smooth & Easy Operation
- Effortless Re-Lamping
- Movable lenses for various field angle configurations
- Awesome Photometric Performance



Leviton Lighting Management Systems
Division Headquarters
20497 SW Teton Avenue,
Tualatin, OR 97062

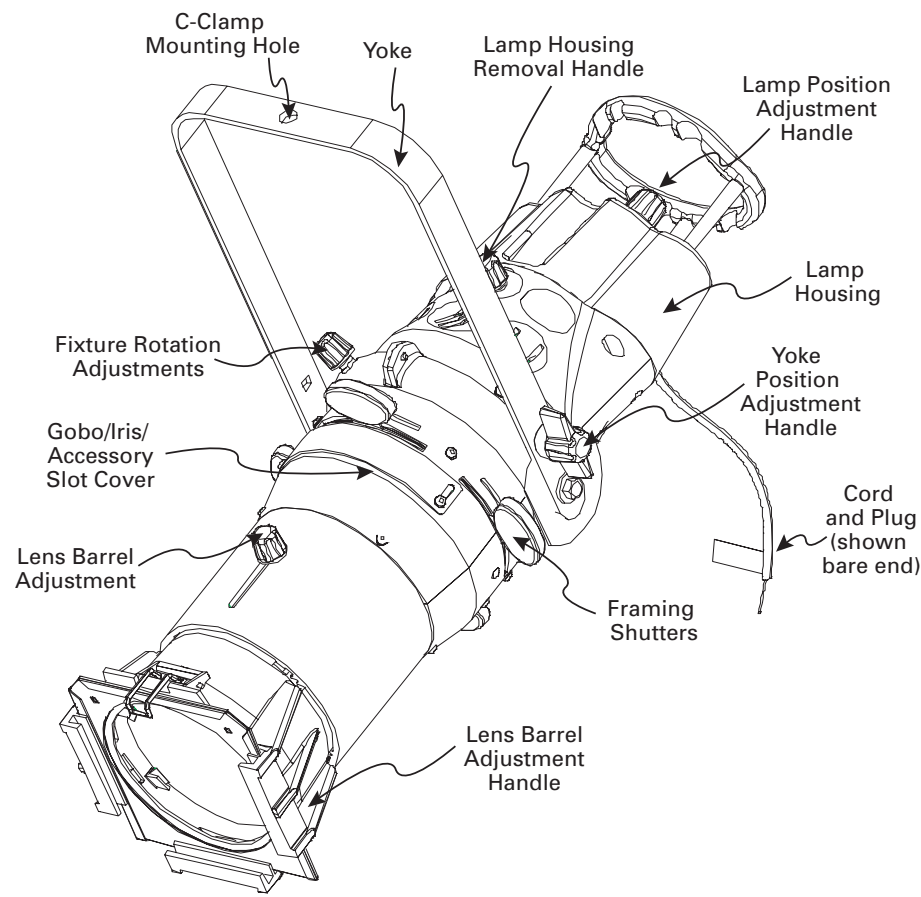
Customer Service Telephone: 800.736.6682
Customer Service Fax: 503.404.5594
Technical Services: 800.959.6004

Leviton Manufacturing
Company, Incorporated
59-25 Little Neck Parkway,
Little Neck, NY 11362-2591

Visit Leviton's websites at
www.leviton.com
www.nsicorp.com
www.colortran.com

Copyright © 2005 Leviton Manufacturing
Company, Inc. All Rights Reserved Specifications
and pricing subject to change at any time.





Installation and Use of your new Fixture

To setup and use your fixture for the first time, please follow these instructions:

CAUTION: DO NOT TOUCH THE GLASS OF THE NEW LAMP. ANY BODY OILS ON THE LAMP WILL CAUSE "HOT SPOTS" ON THE LAMP AND CAUSE PREMATURE LAMP FAILURE

CAUTION: LAMP HOUSING AND OTHER FIXTURE COMPONENTS ARE HOT!!! WAIT FOR DEVICE TO COOL AND WEAR PROTECTIVE CLOTHING PRIOR TO CONTACT WITH THE FIXTURE.

CAUTION: FOR STAGE OR STUDIO USE ONLY

Preparation

- Open & Unpack your fixture. You should have the following items:
- Fixture body, reflector housing
 - Lens Tube (installed in reflector housing)
 - C-Clamp
 - Gel Frame
 - Plug installed on fixture (if ordered as such)

Install C-Clamp.

Install the provided C-clamp into the fixture yoke by installing the bolt through the hole in the yoke, and screwing into the c-clamp. Firmly tighten the bolt to the c-clamp with a wrench.

Inspect all of the components. If any of them are damaged, please contact the shipper to make claim with them.

If any of the above components are missing, please contact our Customer Service Department at 800.736.6682.

Safety Cable - Leviton recommends always using a safety cable when using any lighting fixture. The safety cable should loop through the fixture yoke and be connected to a secure attachment at the other end. Safety cables can be purchased for your fixture from your local theatrical supply or as Leviton part #a00sc-000.

Lamp Installation/Replacement

To install and/or replace the lamp in your fixture, follow this procedure:

- Disconnect fixture from power.
- Loosen, but do not remove the Lamp Housing Removal Handle.
- Separate the Lamp Housing from the fixture.
- If replacing the lamp, remove the current lamp.
- Install one of the new lamps from the chart below.
- Reinstall Lamp Housing and tighten Lamp Housing Removal Handle.

Lamp Replacement Chart:

(Leviton recommends only replacement with one of the following lamps)

Wattage	Voltage	Lamp Life	Lumens	Color Temp.	ANSI Designation	Leviton Part Number
575W	115V	300hrs	14,500	3200K	GLC	L0gLc-000
575W	115V	1500hrs	13,000	3050K	GLA	L0GLa-000
750W	115V	300hrs	19,000	3200K	GLD	L0GLd-000
750W	115V	1500hrs	17,400	3050K	GLE	L0GLE-000
600W	230V 240V	250hrs	14,000	3200K	GKV	L0gkv-000
600W	230V 240V	1500hrs	11,000	3000K	GKV/LL	L0gkv-LL0

Lamp Facts:

Base: G9.5 Max. Voltage: 240V MOL: 101mm DIA: 18mm
 Medium 2-Pin Max Wattage: 750W LCL: 60.5mm

Bench Focus of Fixture (Lamp Centering)

To Bench Focus your fixture:

- Firmly attach the fixture to a pipe & boom or other work surface at a comfortable height, at an appropriate distance from the wall.
- Point Fixture at a wall, and connect to power.
- Examine the pattern produced on the wall. Using the lamp adjustment screws at the rear of the fixture, adjust the "centering" of the lamp until optimum performance is achieved.
- Examine the pattern produced on the wall. Using the lamp adjustment screws at the rear of the fixture, adjust the on-axis (in/out) position of the lamp until desired performance for both center-peak and flat field adjustment is achieved.
- Disconnect the fixture from power and allow to cool before removing.

Leviton recommends bench focusing your new fixture initially prior to fixture use and periodically through the life of the fixture. Bench focusing is the process by which the lamp is centered in the reflector assembly and adjustments are made as to the light field distribution. Proper bench focusing is necessary to achieve optimum performance from your fixture.

Hang Fixture

- Hang the fixture from the pipe, allow it to hang in it's natural position, and sufficiently tighten the C-Clamp.
- Connect a Safety Cable (Leviton part #a00sc-000) to the fixture and a suitable anchor.
- Focus the fixture.

Focus Fixture

To focus your fixture, please follow these steps:

- Bench focus the fixture per previous instructions.
- Hang the fixture per previous instructions.
- Do not remove from the fixture but pull out all (4) shutters completely so that they do not impede the path of light.
- Connect the fixture to it's power source. Ensure that if a dimmer is the power source that it is turned on.
- Aim the fixture at it's desired target, usually chest height of a person standing at the location you want to light.
- Loosen the Lens Position knobs on the top of the lens barrel so that the barrel can be moved in and out freely. Set the position of the lens barrel so that the desired focus is achieved. Usually, you want to move the lens barrel until a hard edge is seen, and then pull the barrel slightly back or forward to soften the edge. When soft focusing a fixture, generally more of a "peak" lamp focus is desired.
- Rotate the lens barrel and adjust the shutter so that the desired framing of the object, zone, scenery, etc. is completed.
- Insert any color, diffusion, or other media into the media holders.

"Focusing" a fixture is the process of aiming and adjusting the fixture so that it's intended purpose is met. This process is highly subjective and desired results will differ based on the individual designer. As such, generalized steps for focusing a fixture are given and specifics with respect to beam quality, framing, etc. are not discussed.

Beam Shaping

The LEO ellipsoidal spotlight has several features which allow you to shape the beam to your needs. These features are best learned by experience and practice. The available features are as follows:

- (4) Shutters, each in it's own plane
- 360° Rotatable Lens Barrel
- Beam Focus
- Accessory slot for gobo's, gobo rotators, iris, and other accessories.

Color/Diffusion Media

The LEO ellipsoidal spotlight has (2) media slots in the front of the fixture which can be used for color, diffusion, snoots, or other media and/or accessories. Please remember that the spring clip should always be in the closed & locked position when you are not inserting or removing media.

Maintenance

Reflector

The reflector in your fixture is made of a high quality glass and reflective coating which should require little maintenance. However, from time-to-time as dust accumulates in your fixture and other causes due to your environment the reflector may become dirty and require cleaning to restore proper light output.

To clean your reflector, remove the reflector from the fixture and wipe clean with cotton, tissue, or a soft cloth moistened with isopropyl alcohol, then, rinse with water.

Lenses

The lenses in your fixture are precision molded using the highest quality low-expansion borosilicate glass. Since this spotlight is state-of-the-art, quality lenses are necessary to withstand the high radiation energy densities. NEVER use a lens that is chipped, cracked, scratched, or tinted. Replacement lenses can be ordered as required.

To clean your lenses, remove the lenses from the fixture, and wipe clean with cotton, tissue, or a soft cloth moistened with isopropyl alcohol, then, rinse with water.

Accessories

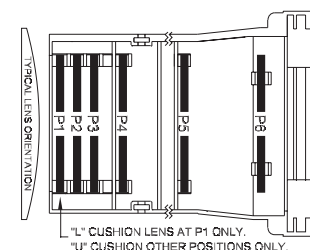
Your Ellipsoidal fixture can accommodate many different accessories after the gate in accessory area, accessed by sliding back the "Gobo/Iris/Accessory Slot Cover".

Accessory Compartment Dimensions: 4 3/4" wide, 1/2" depth, 3" dia. Gate.

Gobo Holder 3.70" Wide, Size "A" Gobo, 3" Diameter Pattern.

Lens Position Guide

Leviton's patented lens system allows "LEO" LENS POSITION GUIDE you to achieve 15°, 19°, 26°, 36°, & 50° field angles using different combinations and positions of the same (4) lenses. That means depending on the lenses you have in your possession, or those purchased as spares, you can convert fixtures from one field angle to the other in the field!



Of the four lenses, one is a large 5.2" diameter lens and can only be located at position P6. Of the other (3), one has a Red mark, the other a Blue mark, and the third is unmarked. This information can be used to help you identify your lenses.

To access the lenses, remove the lens barrel from your fixture, then remove the (4) screws allowing you to separate the two halves of the lens barrel.

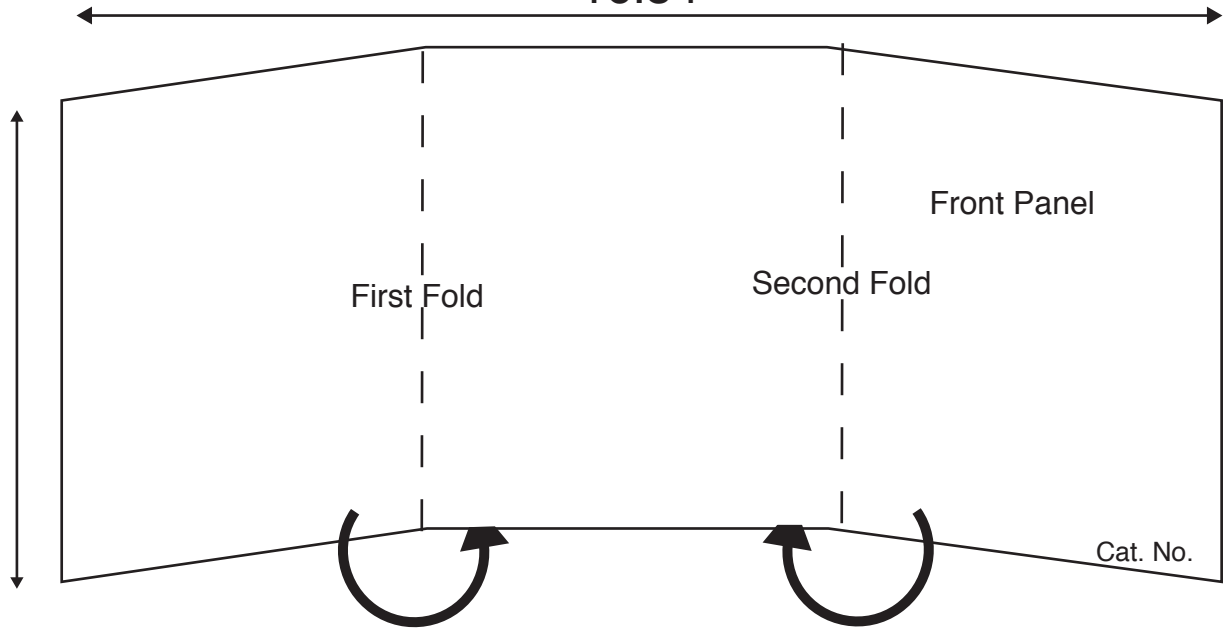
Please reference the position guide and chart to determine which combination of lenses and their positions in the lens barrel are required to achieve the differing field angle.

Field Angle	Required Lenses	Lens Kit Part Numbers
15°	(1) 5.2" dia. Lens at P6	LeLsp-Lens219
19°	(1) Lens with NO MARK at P5	LeLsp-Lens218
26°	(1) Lens with "BLUE" mark at P1 (1) Lens with NO MARK at P5	LeLsp-Lens217 LeLsp-Lens218
36°	(1) Lens with "BLUE" mark at P1 (1) Lens with NO MARK at P4	LeLsp-Lens217 LeLsp-Lens218
50°	(1) Lens with "RED" mark at P1 (1) Lens with "BLUE" mark at P4	LeLsp-Lens216 LeLsp-Lens217

FOLD SCHEME

16.54"

11.54"



LEVITON INSTRUCTION SHEET/MANUAL SPECIFICATIONS

- Artwork No/Rev Level: PK-93183-10-00-2A
- Color(s): Black over _____
- 1. _____ 2. _____
- 3. _____
- Font Families:
 - ▶ Univers (Embedded)
 - ▶ Univers-CondensedBold (Embedded)
 - ▶ Univers-CondensedLight (Embedded)
 - ▶ Univers-Condensed (Embedded)
 - ▶ Palatino-Roman (Embedded)
 - ▶ Univers-Black (Embedded)
 - ▶ Courier (Embedded)
 - ▶ Palatino-Black (Embedded)
- Material
Type: 50 Lb. offset
- Coating: _____
- Paper size:
Overall size: 16.54" X 11.69" (A3)
Final fold size: 5.51" X 11.69" US STD 3-HOLE PUNCH

DOCUMENTATION

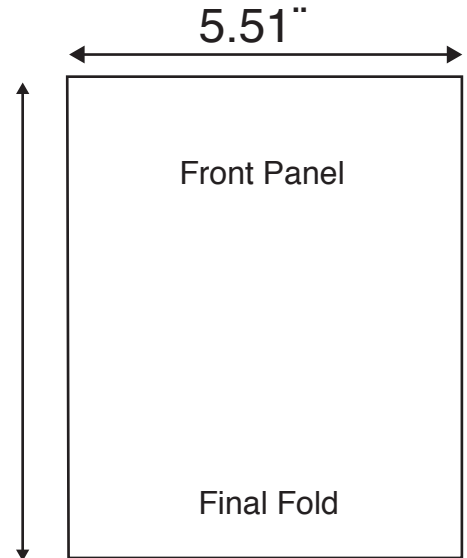
- ECO No.: N/A
- Artist: KKC Date: 02/25/05

The information in this document is the exclusive PROPRIETARY property of LEVITON MANUFACTURING COMPANY, INC. It is disclosed with the understanding that acceptance or review by the recipient constitutes an undertaking by the recipient, (1) to hold this information in strict confidence, and (2) not to disclose, duplicate, copy, modify, or use the information for any purpose other than that for which disclosed.

Copyright © 1997 Leviton Mfg. Co. Inc.
Unpublished, All Rights Reserved

5.51"

11.54"



— — — — Fold Line