

VS-81AYC

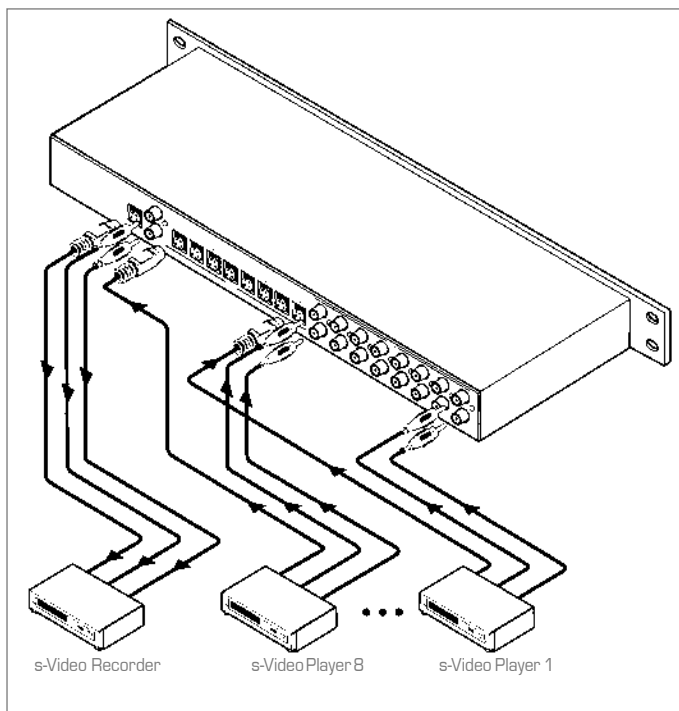
8x1 s-Video & Stereo Audio Switcher



The **VS-81AYC** is a high performance switcher for s-Video (Y/C) and unbalanced audio signals. It switches any one of eight audio and video signals to a single audio and video output.

FEATURES

- **Bandwidth (Y)** - 350MHz (-3dB).
- **Mechanical (Passive) Switching** - No power required.
- **Standard 19" Rack Mount Size** - 1U.



TECHNICAL SPECIFICATIONS

INPUTS:	8 s-Video, 1Vpp/75Ω (Y), 0.3Vpp/75Ω (C) nom. on 4p connectors. 8 audio stereo, on RCA connectors.
OUTPUTS:	1 s-Video, 1Vpp/75Ω (Y), 0.3Vpp/75Ω (C) nom. on a 4p connector. 1 audio stereo, on RCA connectors.
SWITCHING SYSTEM:	Mechanical, Break-before-Make.
CROSSPOINTS:	1 of 8.
MAX SIGNAL LEVELS:	3Vpp video (Y), +30dBm audio.
BANDWIDTH (-3dB):	Video: 350MHz.(Y); Audio:100kHz.
DIMENSIONS:	19 inch (W), 4 inch (D), 1U (H) rack mountable.
WEIGHT:	1.4kg. (3.1lbs.) approx.

