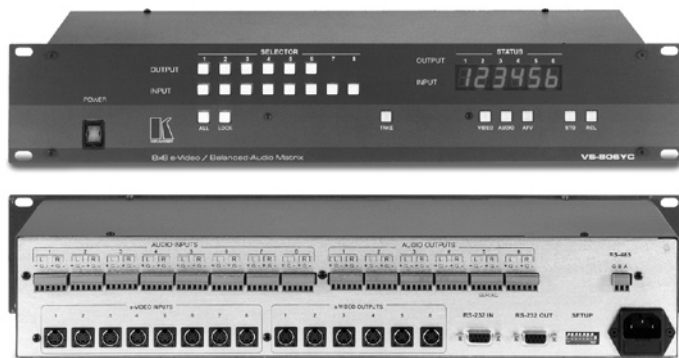


VS-804YC/VS-806YC

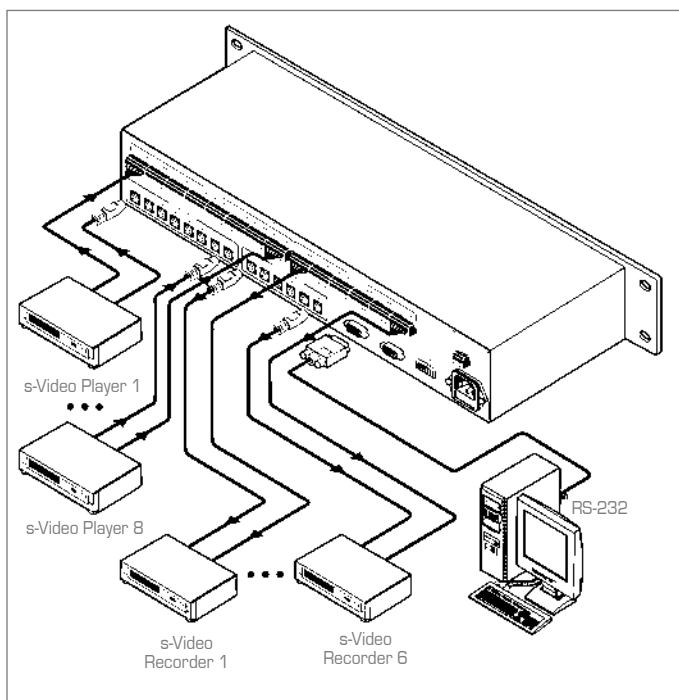
8x4 & 8x6 s-Video & Balanced Stereo Audio Matrix Switchers



The **VS-804YC** and **VS-806YC** are high performance matrix switchers for s-Video (Y/C) and balanced stereo audio signals. Switching during the vertical interval ensures glitch-free switching with genlocked sources.

FEATURES

- **Bandwidth (Y)** - 44MHz (-3dB) fully loaded.
- **Control** - Front panel, RS-232 (K-Router™ Windows® - based software is included), & RS-485.
- **Front Panel Control Lockout.**
- **Take Button** - Execute multiple switches all at once.
- **Memory Locations** - Store multiple switches as presets (salvos) to be recalled and executed when needed.
- **Audio Breakaway Switching.**
- **Vertical Interval Switching.**
- **Standard 19" Rack Mount Size** - 2U.



TECHNICAL SPECIFICATIONS

INPUTS:	8 s-Video, 1Vpp/75Ω (Y), 0.3Vpp/75Ω (C) on 4p connectors. 8 balanced audio stereo, + 4dBm/47kΩ on detachable terminal blocks.
OUTPUTS:	6 (4 for the VS - 804YC) s-Video, 1Vpp/75Ω (Y), 0.3 Vpp/75Ω (C) on 4p connectors. 6 (4 for the VS - 804YC) balanced audio stereo, + 4dBm/50Ω (> 25dBm max.) on detachable terminal blocks.
BANDWIDTH (-3dB):	Video: 44MHz. Audio: 100 kHz.
DIFF. GAIN:	0.08%.
DIFF. PHASE:	0.05 Deg.
K-FACTOR:	0.1%.
VIDEO S/N:	81dB.
AUDIO S/N:	84dB unweighted, (1Vpp).
VIDEO CROSSTALK:	100kHz.
NON LINEARITY:	0.6%.
CONTROL:	Manual, RS-232 or RS-485.
AUDIO THD:	0.025% (1V, 1kHz).
2nd HARMONIC:	0.013%.
SWITCHING:	Vertical interval.
POWER SOURCE:	230VAC, 50/60Hz, (115VAC, U.S.A.) 10VA.
DIMENSIONS:	19-inch (W), 7-inch (D) 2U (H) rack mountable.
WEIGHT:	3.3kg. (7.3lbs.) approx.
ACCESSORIES:	Power cord, Windows® - based control software, Null modem adapter.

