

VS-61YC

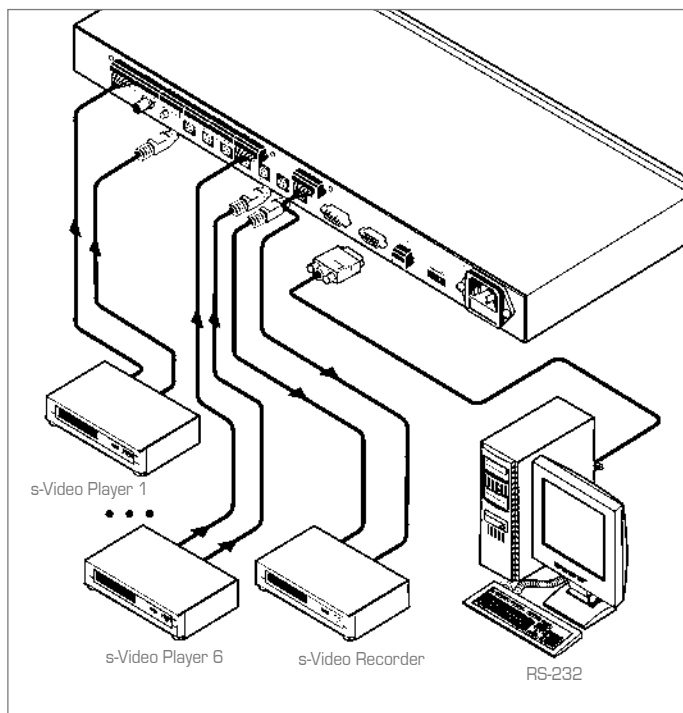
6x1 s-Video & Balanced Stereo Audio Switcher



The **VS-61YC** is a high performance switcher for s-Video (Y/C) and balanced stereo audio signals. Switching during the vertical interval ensures glitch-free switching with genlocked sources.

FEATURES

- **Bandwidth (Y)** - 250MHz [- 3dB].
- **Vertical Interval Switching.**
- **Switching Synchronization** - Synchronize either to external reference or the incoming video.
- **Control** - Front panel, RS-232 (K-Router™ Windows® - based software is included), & RS-485 & contact closure.
- **Standard 19" Rack Mount Size** - 1U.



TECHNICAL SPECIFICATIONS

INPUTS:	6 s-Video, 1 Vpp/75Ω (Y), 0.3Vpp/75Ω (C) on 4p connectors. 6 balanced audio stereo, + 4dBm/10kΩ on detachable terminal blocks.
OUTPUTS:	1 s-Video, 1 Vpp/75Ω (Y), 0.3Vpp/75Ω (C) on a 4p connector. 1 balanced audio stereo, + 4dBm/50Ω on a detachable terminal block.
MAX. OUTPUT LEVEL:	Video: 3.8Vpp (Y); audio: 18Vpp.
BANDWIDTH (- 3dB):	Video: 250MHz; audio: 100kHz.
DIFF. GAIN:	0.06%.
DIFF. PHASE:	0.05 Deg.
K-FACTOR:	< 0.05%.
S/N RATIO:	Video: 77.2dB; audio: 87dB.
CROSSTALK:	Video: - 62.8dB @ 5MHz; Audio: - 81.6dB @ 1kHz.
CONTROL:	Manual, RS-232, RS-485.
COUPLING:	DC.
AUDIO THD + NOISE:	0.091%.
AUDIO 2nd HARMONIC:	0.023%.
POWER SOURCE:	230VAC (115VAC U.S.A), 50/60Hz, 20VA.
DIMENSIONS:	19-inch (W), 7-inch (D) 1U (H) rack- mountable.
WEIGHT:	2.7kg. (6lbs.) approx.
ACCESSORIES:	Power cord, Null modem adapter, Windows 95/98/NT/2000™ Kramer control software.

