

VS-4228

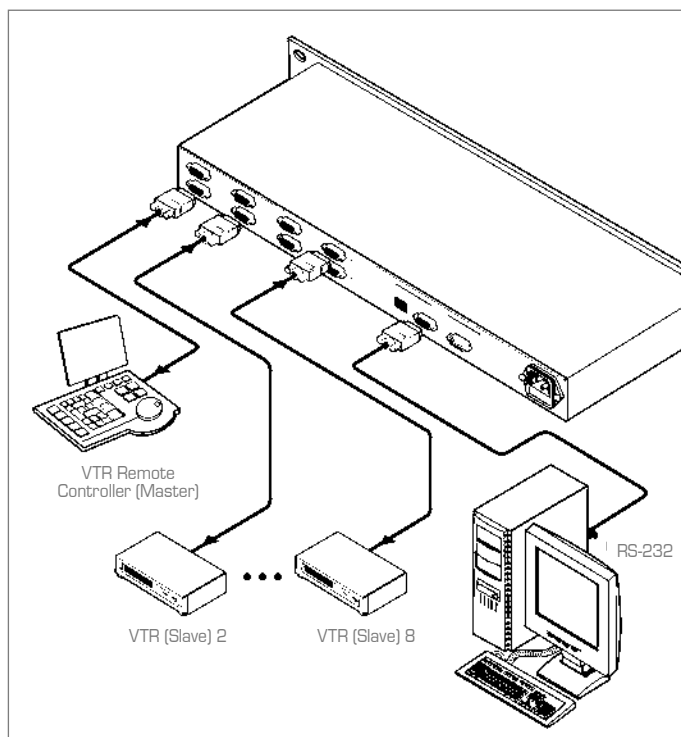
8 Port RS-422 Matrix Switcher



The **VS-4228** is a high performance bi-directional matrix switcher for RS-422 control signals. It can connect multiple ports to create from one to four bi-directional communications groups.

FEATURES

- **Control** - Front panel, RS-232 (K-Router™ Windows® - based software is included), & RS-485.
- **Memory Locations** - Store multiple switches as presets to be recalled and executed when needed.
- **Front Panel Control Lockout.**
- **Standard 19" Rack Mount Size - 1U.**



TECHNICAL SPECIFICATIONS

- INPUTS/OUTPUTS:** 8 in/out ports on DB-9 female connectors, fully compliant to TIA/EIA-422-B standard. RS-232 control via DB-9 female connector (RS-232 out on DB-9 male connector), RS-485 on terminal block assembly.
- CONTROL:** Manual with push buttons on front panel, RS-485 and RS-232 serial interface.
- DIMENSIONS:** 19-inch (W), 7-inch (D) 1U (H) rack mountable.
- POWER SOURCE:** 230VAC, 50/60Hz, (115V U.S.A.) 10VA.
- WEIGHT:** 2.2kg. (4.88lbs approx).
- ACCESSORIES:** Power cord, Windows® - based control program.

