

VP-6xl 1:6 Computer Graphics Video Distribution Amplifier



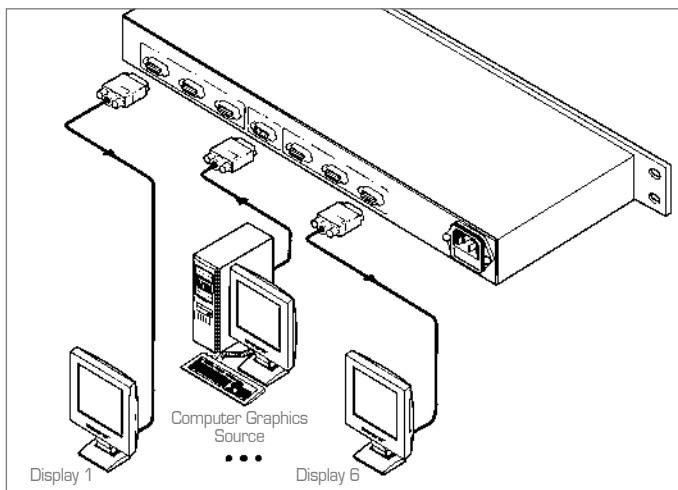
Compatible with HDTV component video signals when used with a breakout cable such as the Kramer C-GM/3RVF.



The **VP-6xl** is a high performance computer graphics video amplifier for computer graphics video signals with resolutions ranging from VGA through UXGA and higher. It takes one input, provides correct buffering and isolation, and distributes the signal to six identical outputs.

FEATURES

- **High Bandwidth** - 400MHz (-3dB).
- **HDTV Compatible.**
- **Standard 19" Rack Mount Size** - 1U.



TECHNICAL SPECIFICATIONS

INPUT:	Analog red, green, blue signals - 0.7Vpp/75Ω, H & V sync, TTL level, on an HD15F connector.
OUTPUTS:	6 analog red, green, blue signals - 0.7Vpp/75Ω, H & V syncs-TTL level, on HD15F connectors.
VIDEO BANDWIDTH (-3dB):	400MHz.
DIFF. GAIN:	0.03%.
DIFF. PHASE:	0.05 Deg.
COUPLING:	DC.
K-FACTOR:	< 0.05%.
S/N RATIO:	75.8dB.
DIMENSIONS:	19 inch (W), 7 inch (D) 1U (H) rack mountable.
POWER SOURCE:	230VAC, 50/60Hz (115VAC, U.S.A.) 7.4VA.
WEIGHT:	2.4kg. (5.3lbs.) approx.
ACCESSORIES:	Power cord.

