

VP-41 4x1 Computer Graphics Video Switcher



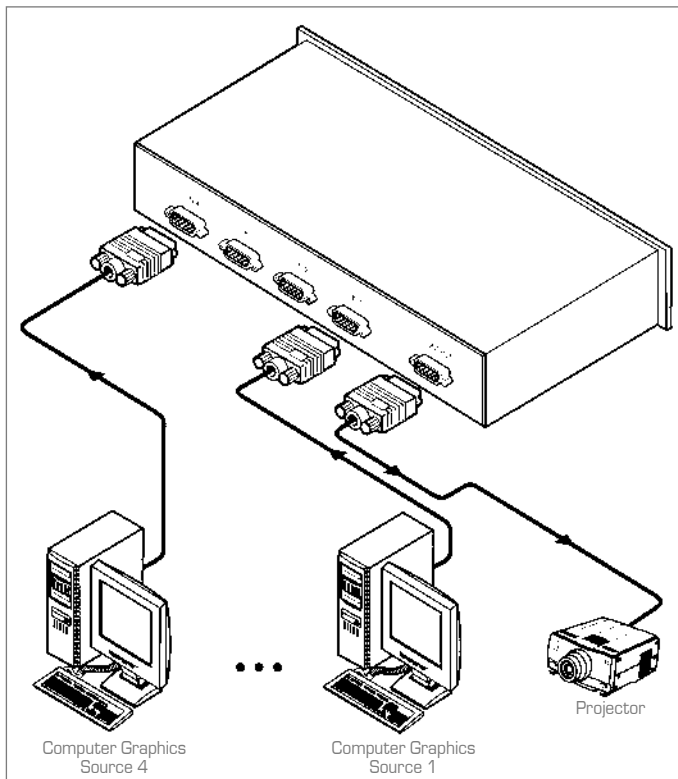
The **VP-41** is a high performance switcher for computer graphics with resolutions ranging from VGA through UXGA and higher. It switches any one of four signals to a single output.

Compatible with HDTV component video signals when used with a breakout cable such as the Kramer C-GM/3RVF.



FEATURES

- **High Bandwidth** - 750MHz (-3dB).
- **HDTV Compatible.**
- **Mechanical (Passive) Switching** - No power required.
- **Desktop Size** - Compact size. Two units can be rack mounted side-by-side in a 1U rack space with the optional RK-81X adapter.



TECHNICAL SPECIFICATIONS

INPUTS:	4 VGA/XGA on HD15F connectors.
OUTPUT:	1 VGA/XGA on an HD15F connector.
VIDEO BANDWIDTH (-3dB):	750MHz.
SWITCH CONTROL:	Four front panel switches.
CROSSTALK:	-58dB at adjacent channels @ 10MHz.
COUPLING:	Direct.
DIMENSIONS:	25.5cm x 10.2cm x 4.5cm (10" x 4" x 1.8", W, D, H).
WEIGHT:	1.1kg. (2.4lbs.) approx.
OPTIONS:	RK-81X 19 inch rack adapter.

