

VP-31 3x1 Computer Graphics Video Switcher



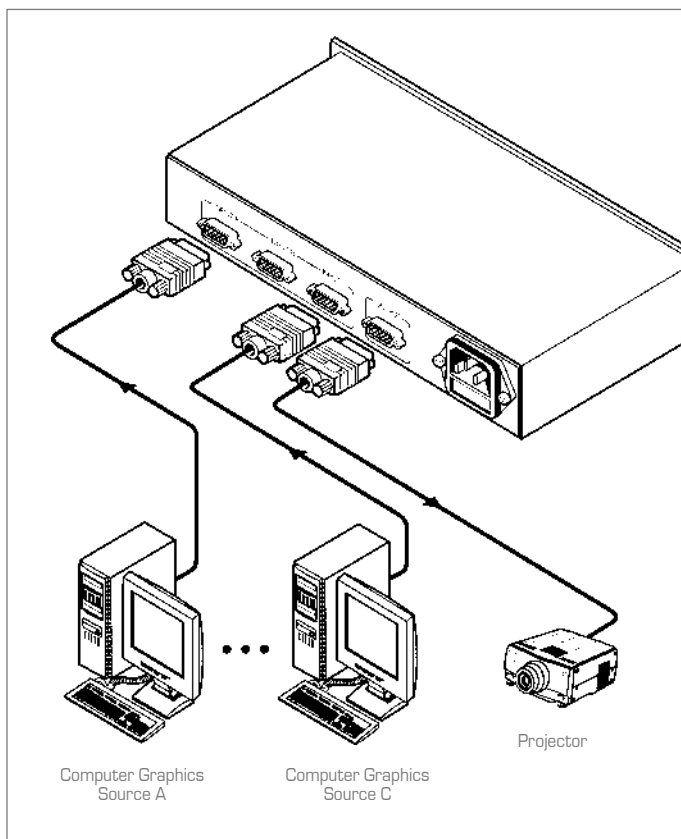
The **VP-31** is a high performance switcher for computer graphics video signals with resolutions ranging from VGA through UXGA and higher. It switches any one of three inputs to a single output.

Compatible with HDTV component video signals when used with a breakout cable such as the Kramer C-GM/3RVF.



FEATURES

- **High Bandwidth** - 450MHz (-3dB).
- **HDTV Compatible.**
- **Desktop Size** - Compact size. Can be rack mounted in a 1U rack space with the optional RK-MEDN adapter.



TECHNICAL SPECIFICATIONS

INPUTS:	3 VGA/XGA on HD15F connectors.
OUTPUT:	1 VGA/XGA on an HD15F connector.
VIDEO BANDWIDTH (-3dB):	450MHz.
DIFF. GAIN:	0.05%.
S/N RATIO:	73dB.
SWITCH TIME:	Less than 5ms.
SWITCH CONTROL:	3 electronic illuminated touch switches with electronic interlock.
COUPLING:	Direct.
POWER SOURCE:	230VAC, 50/60Hz (115VAC, U.S.A.) 5.1VA.
DIMENSIONS:	24.5cm x 18 cm x 4.5 cm (9.6" x 7" x 1.8", W, D, H).
WEIGHT:	1.4kg. (3.1lbs.) approx.
ACCESSORIES:	Power cord.
OPTIONS:	RK-MEDN, 19" rack adapter.

