

VP-12N**1:12 Computer Graphics Video Distribution Amplifier with 3 Twisted Pair Transmitters****NEW**

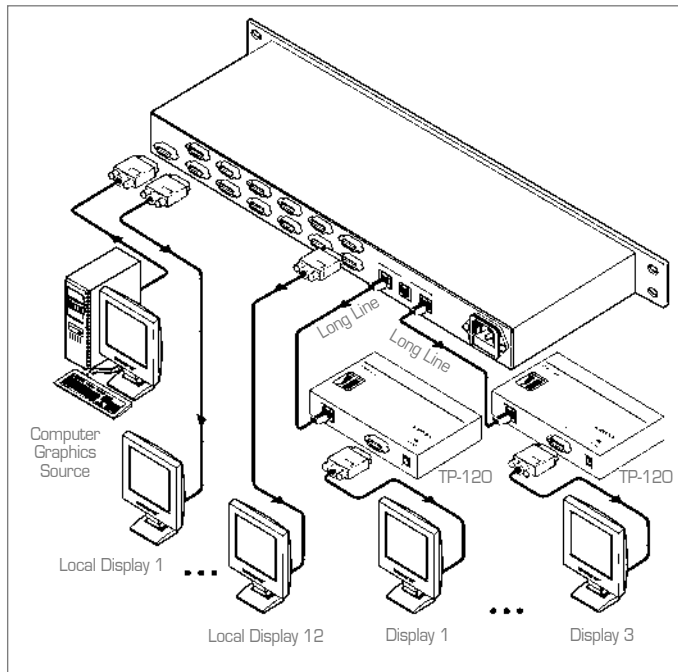
Compatible with HDTV component video signals when used with a breakout cable such as the Kramer C-GM/3RVF.



The **VP-12N** is a high performance distribution amplifier for computer graphics video signals. It takes one input, provides correct buffering and isolation, and distributes the signal to 12 computer graphics outputs on 15-pin HD connectors and three twisted pair outputs.

FEATURES

- **Bandwidth** - (-3dB): 330MHz (15pin HD); 156MHz (CAT5).
- **HDTV Compatible.**
- **Twisted Pair Connectors** - RJ-45 connectors.
- **Control** - RGB Level (Gain), ID bit.
- **Twisted Pair Output** - Requires a computer graphics video twisted pair receiver to convert the twisted pair signal back into a computer graphics video signal.
- **System Range (Twisted Pair)** - Up to 100 meters (300').
- **Cable (Twisted Pair)** - UTP (unshielded twisted pair) such as CAT 5.
- **Standard 19" Rack Mount Size** - 1U.

**TECHNICAL SPECIFICATIONS**

INPUT:	1 UXGA on an HD15F connector.
OUTPUTS:	12 UXGA on HD15F connectors 3 RJ-45 OUT connectors.
MAX. OUTPUT LEVEL:	UXGA: 1.7Vpp; CAT5: 1.3Vpp.
BANDWIDTH (-3dB):	UXGA: 330MHz; CAT5: 156MHz.
DIFF. GAIN:	0.17% (UXGA).
DIFF. PHASE:	0.44 Deg. (UXGA).
K-FACTOR:	< 0.05%
S/N RATIO:	UXGA: 73dB; CAT5: 70dB
CONTROLS:	Level: -0.8dB to 2.4dB.
COUPLING:	UXGA: DC; CAT5: AC.
POWER SOURCE:	230 VAC, 50/60Hz (115VAC, U.S.A.) 31VA.
DIMENSIONS:	19 inch (W), 7 inch (D) 1U (H) rack mountable
WEIGHT:	2.7kg. (6lbs.) approx.
ACCESSORIES:	Power cord.

