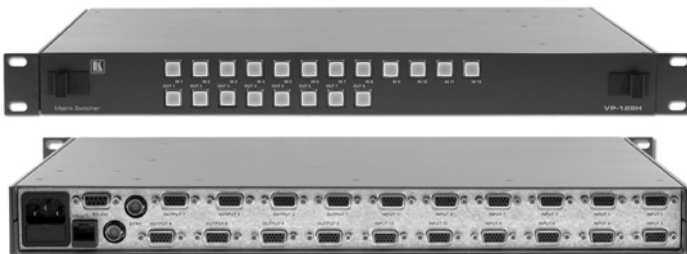


VP-128H

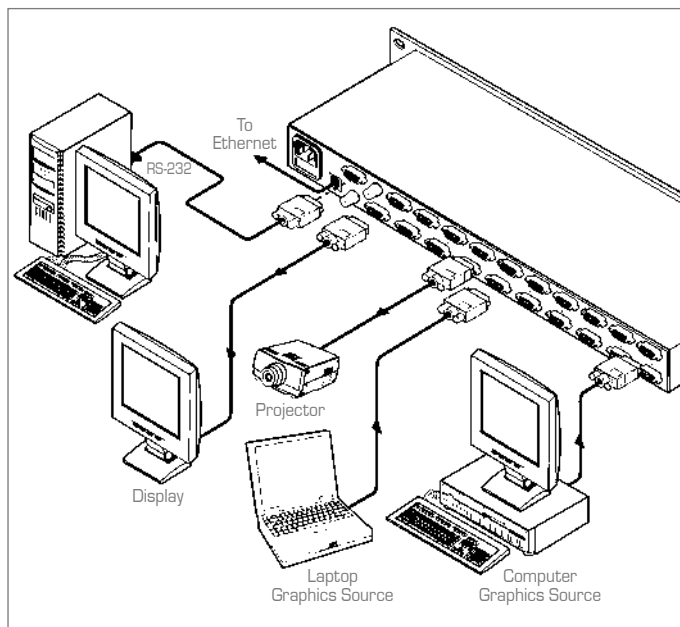
12x8 Computer Graphics Video Matrix Switcher



The **VP-128H** is a high performance matrix switcher for computer graphics video signals, with resolutions ranging from VGA through UXGA and higher on HD-15 connectors. It can route any or all inputs to any or all outputs simultaneously.

FEATURES

- **Bandwidth** - 315MHz (-3dB) fully loaded.
- **Memory Locations** - Store multiple switches as presets to be recalled and executed when needed.
- **Delayed Switching™** - Switches sync ahead of video to provide near glitch-free switching of non-genlocked sources.
- **Linear Sync Processing** - to process non-standard sync signals.
- **Vertical Interval Switching.**
- **Looping Analog Sync Input.**
- **Control** - Front panel (removable for remote operation), RS-232 (K-Router™ Windows® - based software is included), and Ethernet.
- **Standard 19" Rack Mount Size** - 1U.



TECHNICAL SPECIFICATIONS

INPUTS:	12 analog red, green, blue signals - 0.7Vpp/75Ω; H & V syncs, TTL level on HD15F connectors. The H and V channels are not TTL, they are linear.
OUTPUTS:	8 analog red, green, blue signals - 0.7Vpp/75Ω; H & V syncs, TTL level on HD15F connectors. The H and V channels are not TTL, they are linear.
MAX. OUTPUT LEVEL:	+/- 1.5V
BANDWIDTH (-3dB):	315MHz, Fully Loaded
DIFF. GAIN:	< 0.06%
DIFF. PHASE:	< 0.17 Deg.
K-FACTOR:	< 0.05%
S/N RATIO:	60dB weighted to 5MHz.
CROSSTALK (all hostile):	> 45dB@150MHz.
CONTROLS:	24 front panel switches, RS-232.
COUPLING:	DC.
POWER SOURCE:	90-240VAC 47-63Hz, 30VA.
DIMENSIONS:	48.3cm x 30.5cm x 4.5cm (19-inch x 12-inch x 1U, W, D, H) rack mountable.
WEIGHT:	5.5kg. (12.2lbs.) approx.
ACCESSORIES:	Power cord, Null modem adapter, Control software.

