

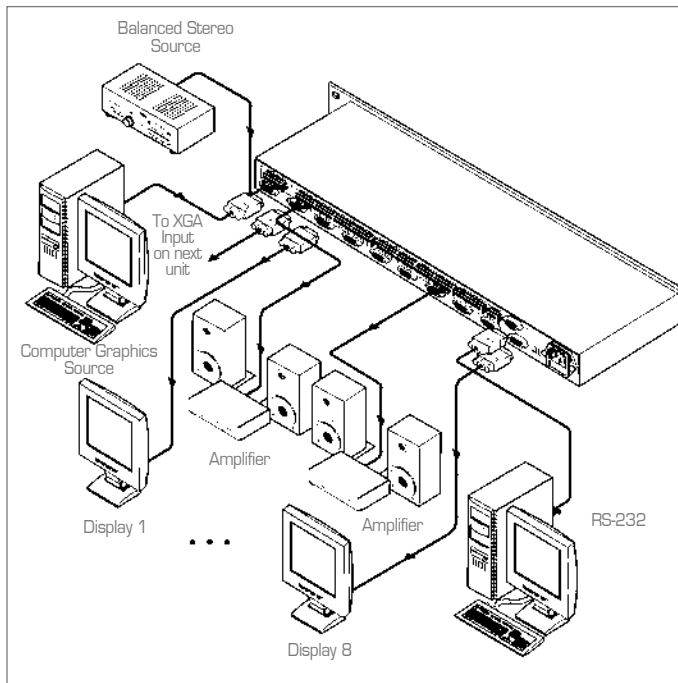
VP-108**1:8 Computer Graphics Video & Balanced Stereo Audio Distribution Amplifier**

The **VP-108** is a high performance computer graphics video amplifier for computer graphics signals, with resolutions ranging from VGA through UXGA and higher, and balanced stereo audio signals. It takes one computer and a balanced stereo audio input and will output to eight computer and balanced stereo audio signals.

Compatible with HDTV component video signals when used with a breakout cable such as the Kramer C-GM/3RVF.

**FEATURES**

- **High Bandwidth** - 400MHz (-3dB).
- **HDTV Compatible.**
- **Control** - RS-232 & Contact Closure for individual output disconnect.
- **Audio Level (Gain) Controls.**
- **Looping Input.**
- **Selectable Input Signal Termination.**
- **Standard 19" Rack Mount Size** - 1U.

**TECHNICAL SPECIFICATIONS**

INPUT:	1 XGA on an HD15F connector; 1 LOOP on an HD15F connector. 1 balanced audio + 4dBm, 100kΩ on detachable terminal block connectors.
OUTPUTS:	8 XGA on HD15F connectors. 8 balanced audio + 4dBm, 50Ω on detachable terminal block connectors.
MAX. OUTPUT LEVEL:	Video: 1.5Vpp, Audio: 25Vpp.
BANDWIDTH (-3dB):	Video: 400MHz. Audio: 100kHz.
DIFF. GAIN:	0.03%.
DIFF. PHASE:	0.03 Deg.
K-FACTOR:	< 0.05%.
S/N RATIO:	74.3dB. Audio: 77.7dB unweighted.
CONTROLS:	Level : - 1.1 to + 6.2dB; Audio: Level : - 0.9 to + 8.6dB.
EQUALIZATION:	0dB to + 8dB, 50MHz.
COUPLING:	Video: DC, Audio: DC.
AUDIO THD + NOISE:	0.022%.
AUDIO 2nd HARMONIC:	0.003%.
POWER SOURCE:	90-260VAC, 50/60Hz, 7.3VA.
DIMENSIONS:	19inch (W), 7inch (D), 1U (H) rack mountable.
WEIGHT:	2.6kg. (5.7lbs.) approx.
ACCESSORIES:	Power cord, Null modem adapter, Windows® - based Kramer control software.

