

VM-54

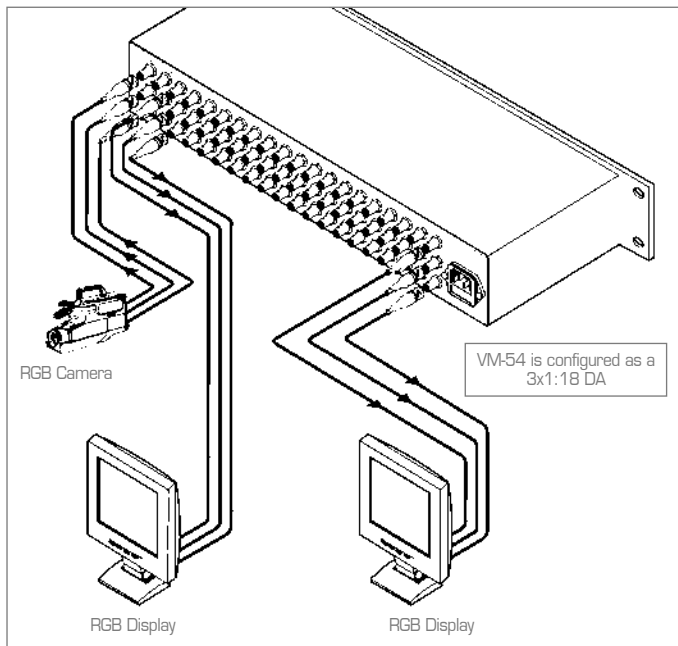
1:54 Composite Video Distribution Amplifier



FEATURES

- **High Bandwidth** - 365MHz (-3dB).
- **HDTV Ready.**
- **Dual Mode** - Configure as either a 1:54 (Composite/SDI) or 1:18 (Component) DA.
- **Grouped Level (Gain) and EQ (Peaking) Controls.**
- **Video AC/DC Coupling Selection.**
- **Looping Inputs.**
- **Selectable Input Signal Termination.**
- **Standard 19" Rack Mount Size** - 2U.

The **VM-54** is a high performance dual-mode distribution amplifier for composite, SDI, or component video signals. It can be configured as a 1:18 distribution amplifier for component (YUV) signals and provides controls to compensate for signal losses inherent in long cable runs.



TECHNICAL SPECIFICATIONS

INPUTS:	3 composite/component video looping, 1Vpp/75Ω on BNC connectors with termination switches.
OUTPUTS:	3 x 18 composite/component video, 1 Vpp/75Ω on BNC connectors.
MAX. VIDEO OUTPUT:	2Vpp.
VIDEO BANDWIDTH (-3dB):	365MHz.
DIFF. GAIN:	0.03%.
DIFF. PHASE:	0.09 Deg.
GAIN RANGE:	-0.8 to 1.9dB.
EQ. RANGE:	0 to 2.3dB @ 4.4MHz.
K-FACTOR:	< 0.05%.
VIDEO S/N RATIO:	Better than 70dB.
CONTROL:	75Ω input termination switches; AC/DC coupling selection for inputs.
NON-LINEARITY:	0.2%
COUPLING:	AC or DC for each channel, selectable from front panel.
POWER SOURCE:	230VAC, 50/60Hz, (115V U.S.A.) 10VA.
DIMENSIONS:	19-inch (W), 7-inch (D) 2U (H) rack mountable.
WEIGHT:	4.4kg. (9.8lbs.) approx.
ACCESSORIES:	Power cord.

