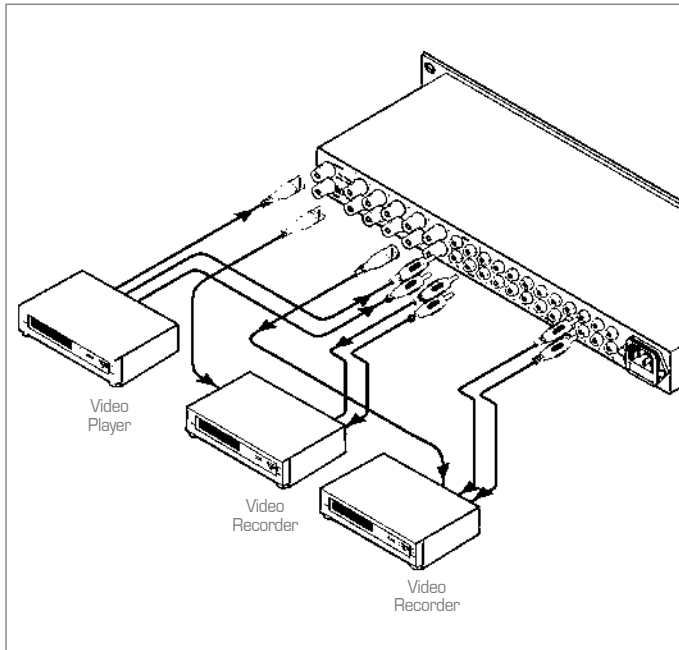


VM-10xi**1:10 Composite Video & Stereo Audio Distribution Amplifier**

The **VM-10xi** is a state of the art, broadcast quality 1:10 distribution amplifier for composite or SDI video signals with unbalanced stereo or balanced mono audio. It provides controls to compensate for signal losses inherent in long cable runs.

FEATURES

- **High Bandwidth** - 360MHz (-3dB).
- **Audio Controls.**
- **Level (Gain) and EQ (Peaking) Controls.**
- **Looping Inputs.**
- **Selectable Input Signal Termination.**
- **Video AC/DC Coupling Selection.**
- **Standard 19" Rack Mount Size** - 1U.

**TECHNICAL SPECIFICATIONS**

INPUTS:	1 composite video, 1 looping, 1Vpp/75Ω with termination switch on BNC connectors. 2 audio, stereo or balanced mono, looping, on RCA connectors.
OUTPUTS:	10 composite video, 1Vpp/75Ω on BNC connectors. 10 audio, stereo or balanced mono, on RCA connectors.
MAX. OUTPUT LEVEL:	Video: 1.6Vpp; Audio: 26.5Vpp.
BANDWIDTH (-3dB):	Video: 360MHz; Audio: 100kHz.
DIFF. GAIN:	0.07%.
DIFF. PHASE:	0.05 Deg.
K-FACTOR:	< 0.05%.
S/N RATIO:	Video: 77dB, Audio: 87dB.
CONTROLS:	Front panel accessible trimmers for video level (-1.2dB to +6dB) and EQ. (0dB to +8.1dB), audio left and right control trimmers (0dB to +6dB), balanced/stereo selector switch and audio controls enable switch.
COUPLING:	Video: DC/AC; Audio: AC.
AUDIO THD + NOISE:	0.023%.
AUDIO 2nd HARMONIC:	0.001%.
POWER SOURCE:	230VAC 50/60Hz (115V U.S.A.), 4.7VA.
DIMENSIONS:	19 inch (W), 7 inch (D), 1U (H).
WEIGHT:	2.1kg. (4.7lbs.) approx.
ACCESSORIES:	Power cord.