

VM-100C

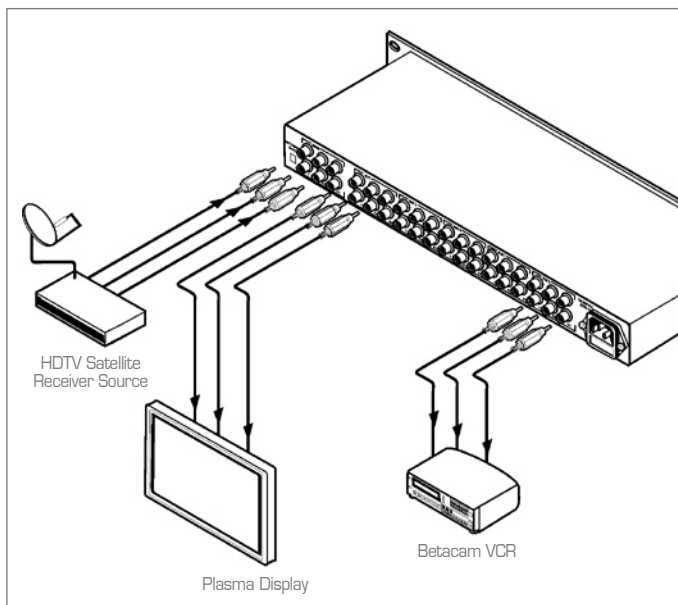
1:10 Component Video Distribution Amplifier



The **VM-100C** is a high performance distribution amplifier for component (RGB/YUV) video signals. It takes one input, provides correct buffering and isolation, and distributes the signal to ten identical outputs on RCA connectors.

FEATURES

- **High Bandwidth** - 450MHz (-3dB).
- **HDTV Compatible.**
- **Level (Gain) and EQ (Peaking) Controls.**
- **Looping Inputs.**
- **Selectable Input Signal Termination.**
- **Worldwide Power Supply** - 110-220V AC.
- **Standard 19" Rack Mount Size** - 1U.



TECHNICAL SPECIFICATIONS

INPUTS:	1 set of component video (Y, Pb/Cb, Pr/Cr) on RCA connectors; 1 set of component video (Y, Pb/Cb, Pr/Cr) on RCA connectors for looping.
OUTPUTS:	10 sets of component video (Y, Pb/Cb, Pr/Cr) on RCA connectors.
MAX. OUTPUT LEVEL:	2.5Vpp.
BANDWIDTH (-3dB):	450MHz, fully loaded.
DIFF. GAIN:	0.03%.
DIFF. PHASE:	0.03 Deg.
K-FACTOR:	< 0.05%
S/N RATIO:	76.8dB.
CROSSTALK (all hostile):	-51dB.
CONTROLS:	Level: -1dB to +6.4dB; equalization: 0dB to +7.3dB.
COUPLING:	DC.
POWER SOURCE:	100-264VAC, 50/60Hz; 46mA.
DIMENSIONS:	19-inch (W), 7-inch (D) 1U (H) rack-mountable.
WEIGHT:	2.7kg. (6lbs.) approx.
ACCESSORIES:	Power cord.

