

## SD-7588V

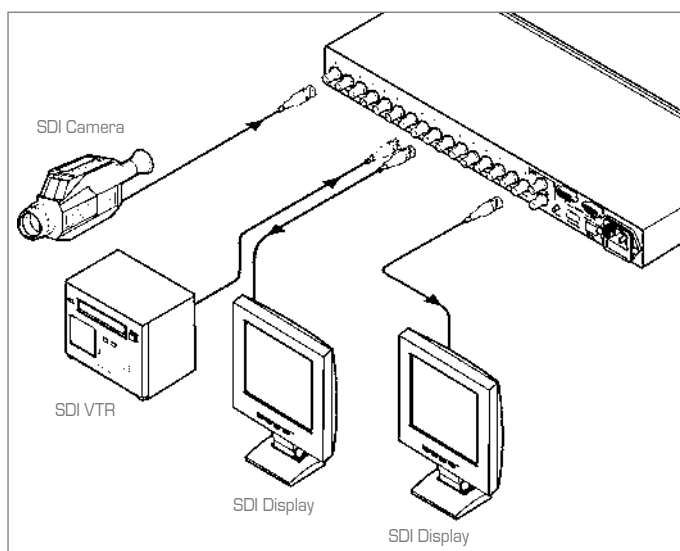
### 8x8 Serial Digital (SDI) Video Matrix Switcher



The **SD-7588V** is a high performance matrix switcher for SDI (SMPTE 259M) video signals. Switching during the vertical interval ensures glitch-free switching with genlocked sources.

#### FEATURES

- **Reclocking & Equalization** - Automatic.
- **Multi-Standard** - 143Mb/s (4fsc NTSC), 177Mb/s (4fsc PAL, 270Mb/s (4:2:2 component), 360Mb/s (4:2:2 widescreen).
- **Control** - Front panel, RS-232 (K-Router™ Windows®-based software is included), & RS-485.
- **Resolution** - 8 & 10-bits (automatic).
- **Take Button** - Execute multiple switches all at once.
- **Memory Locations** - Store multiple switches as presets (salvos) to be recalled and executed when needed.
- **ALL / OFF Controls** - Sends one input to all outputs, can disconnect all outputs, or turn off individual outputs.
- **IN SYSTEM Control** - Allows for audio follow video when used with an SD-7588A in the same system.
- **Vertical Interval Switching.**
- **Switching Synchronization** - Synchronize either to external reference or the incoming video.
- **Looping Analog Sync Input.**
- **Selectable Sync Signal Termination.**
- **Worldwide Power Supply** - 85-264V AC.
- **Standard 19" Rack Mount Size** - 1U.



#### TECHNICAL SPECIFICATIONS

INPUTS:	8 x SMPTE - 259M serial video, 75Ω on BNC connectors; looping analog sync inputs on BNC connectors.
OUTPUTS:	8 reclocked SMPTE - 259M, 75Ω, on BNC connectors.
RESOLUTION:	10-bit or 8-bit, automatic according to input resolution.
SWITCHING:	During vertical interval from analog sync.
STANDARDS:	4fsc PAL, 4fsc NTSC, 4:2:2 (525/625), and 360Mb/s widescreen (525/625).
EQUALIZATION:	Automatic for up to 300m for 270Mb/s using Belden 8281 cable.
CONTROLS:	22 front-panel touch switches, RS-232 and RS-485 control interface.
DISPLAY:	Current switcher status on eight 7-segment bright LEDs. Signal presence for each channel on front panel LEDs.
POWER SOURCE:	Universal, 85-264VAC, 47-440Hz, 25VA max.
DIMENSIONS:	19-inch (W) x 7-inch (D) x 1U (H), rack mountable.
WEIGHT:	3.5kg. (7.8lbs.) approx.

