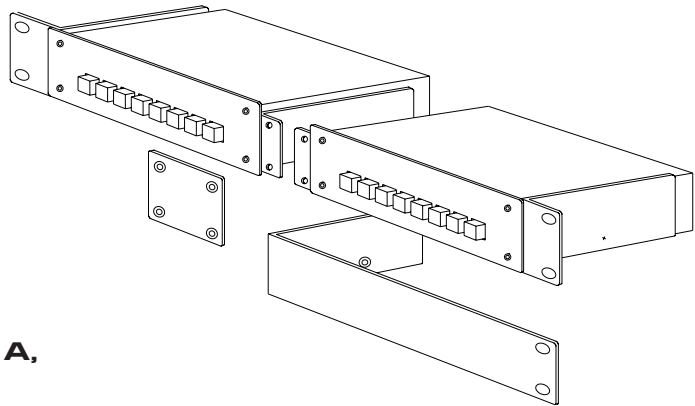


**RK-81**



For products:

**VS-41AV, VS-4x4FW. VS-81A,  
VS-81V, VS-81YC.**