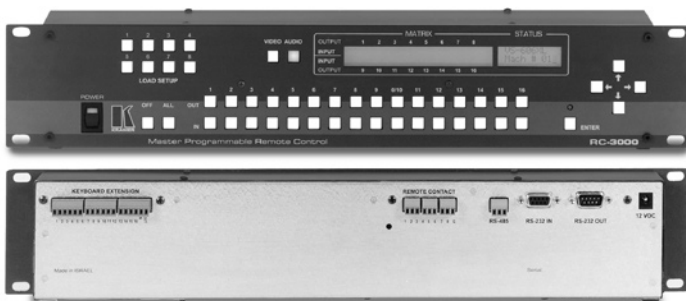


## RC-3000

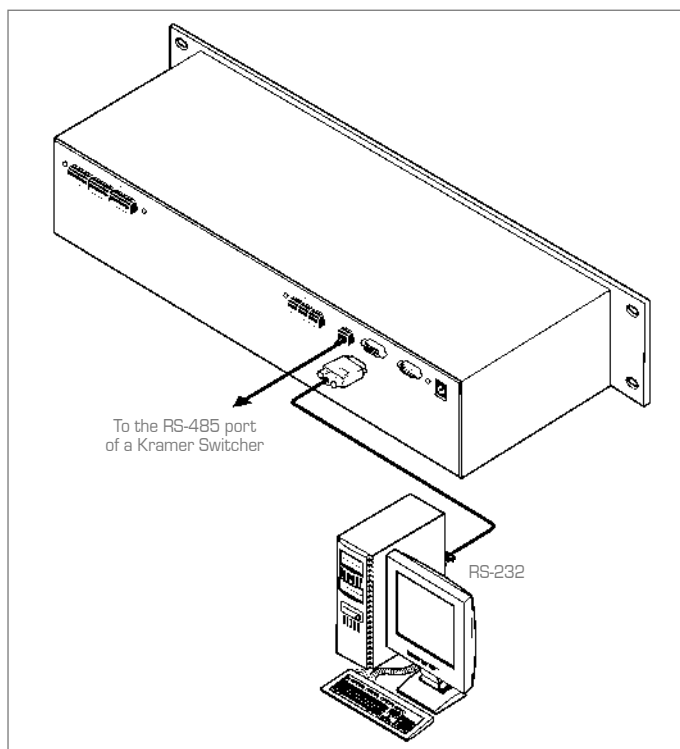
### Master Programmable Remote Control Panel



The **RC-3000** is a programmable remote control for Kramer switchers with RS-232 and RS-485 control. Up to 15 **RC-3000s** can control up to 15 Kramer switchers in a single system.

#### FEATURES

- **Memory Locations** - Stores up to 8 multiple switches as presets to be recalled and executed when needed.
- **ALL/OFF Controls** - Sends one input to all outputs, can disconnect all outputs, or turn off individual outputs.
- **Audio Breakaway Switching.**
- **Control** - Front panel, RS-232 (K-Router™ Windows® - based software is included), & RS-485, contact closure & external keyboard up to 128 input/output combinations.
- **Standard 19" Rack Mount Size** - 2U.



#### TECHNICAL SPECIFICATIONS

INPUTS/OUTPUTS:	2 x RS-232 DB-9 in/out connectors. 1 x RS-485 connector on detachable terminal blocks. 9 pole, remote dry-contact connector on detachable terminal blocks. 18 pole, keyboard extension connector on detachable terminal blocks.
SETTING MEMORY:	8 immediate setups for fast access and retrieval.
CONTROL:	Front panel keys, RS-232, RS-485, contact closure switches, external keyboard.
POWER SOURCE:	12VDC, 800mA.
DIMENSIONS:	19 inch (W), 2 inch (D), 2U (H) rack mountable.
WEIGHT:	1.7kg. (3.8lbs.) approx.
ACCESSORIES:	Windows® - based control software.

