

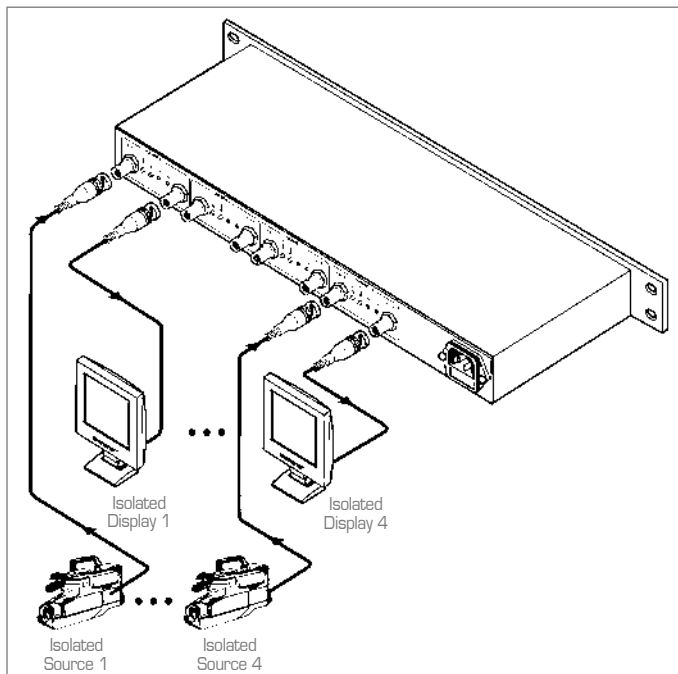
## OC-4 4 Channel Video/Sync Optical Isolator



The **OC-4** is a high performance optical isolator for video or sync signals. It provides complete isolation between devices thus eliminating video hum, ground loops, and DC offsets which can degrade picture quality.

### FEATURES

- **Bandwidth** - 20MHz (-3dB).
- **Channels** - 4.
- **Opto-Isolator Circuitry** - Extremely linear response and wide frequency range compared to traditional transformer based units.
- **Level (Gain) and EQ (Peaking) Controls.**
- **Floating Ground Selection** - Input, output, both, or none.
- **Standard 19" Rack Mount Size** - 1U.



### TECHNICAL SPECIFICATIONS

INPUT:	4 video, 1Vpp/75Ω on BNC connectors.
OUTPUT:	4 video, 1Vpp/75Ω on BNC connectors.
BANDWIDTH (-3dB):	20MHz.
VIDEO S/N RATIO:	69dB.
POWER SOURCE:	230VAC, 50/60Hz, (115VAC, U.S.A.)
DIMENSIONS:	19 inch (W), 7 inch (D) 1U (H) rack mountable.
WEIGHT:	3.5kg. (7.8lbs.) approx.
ACCESSORIES:	Power cord.

