

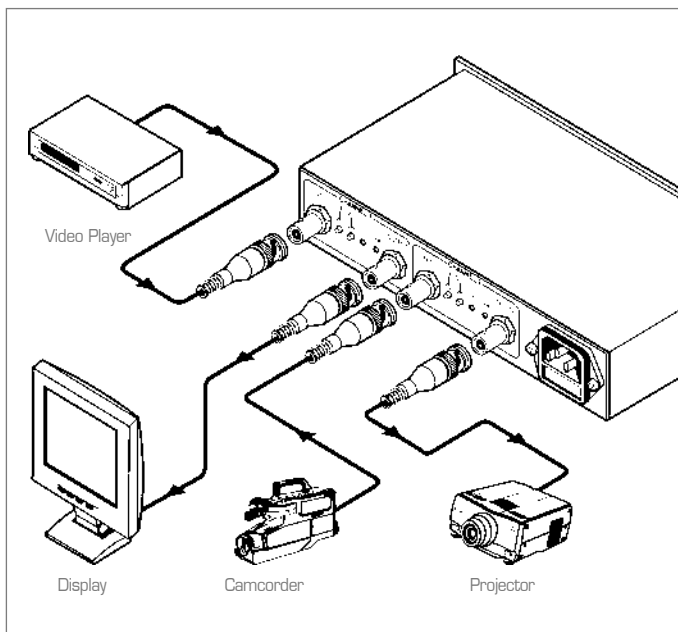
OC-2 2 Channel Video/Sync Optical Isolator



The **OC-2** is a video high performance optical isolator for video or sync signals. It provides complete isolation between devices thus eliminating video hum, ground loops, and DC offsets which can degrade picture quality.

FEATURES

- **Bandwidth** - 20MHz (-3dB).
- **Floating Ground Selection** - Input, output, both, or none.
- **Channels** - 2.
- **Opto-Isolator Circuitry** - Extremely linear response and wide frequency range compared to traditional transformer based units.
- **Level (Gain) and EQ (Peaking) Controls.**
- **Desktop Size** - Compact size. Two units can be rack mounted side-by-side in a 1U rack space with the optional RK-80 adapter.



TECHNICAL SPECIFICATIONS

INPUT:	2 composite Video, 1Vpp/75 Ω on BNC connectors.
OUTPUT:	2 composite video, 1Vpp/75 Ω on BNC connectors.
BANDWIDTH (-3dB):	20MHz.
S/N RATIO:	69dB.
POWER SOURCE:	230VAC, 50/60Hz, (115VAC, U.S.A.) 2.3VA.
DIMENSIONS:	22cm x 18cm x 4.5cm (8.7" x 7" x 1.7", W, D, H).
WEIGHT:	1.3kg. (2.9lbs.) approx.
ACCESSORIES:	Power cord.
OPTIONS:	RK-80 19" rack adapter.